

DUPLEX II

DUPLEX II SERIES PUMPS

The Duplex II series of pumps incorporate the best technology and features developed by FLOJET. Everything from the back flow preventer, check valves, bearings and diaphragm assembly to the motor, have been designed to make this truly the most advanced and reliable diaphragm pump available. Higher efficiency of the pump is evident in the longer life of the motor pump unit. The new diaphragm design combined with the new valves makes the pump capable of pulling higher dry vacuum. Duplex II is available in various performance ranges, voltages and with a choice of elastomers, making it easily adaptable to a diverse range of applications.

SPECIAL FEATURES

- Self priming up to 8 feet (2.4 m).
- Can run dry without damage.
- Chemical resistant material.
- Internal bypass standard.
- Built-in back flow preventer.
- Heavy duty ball bearing drive system.
- UL, CSA and CE models available.

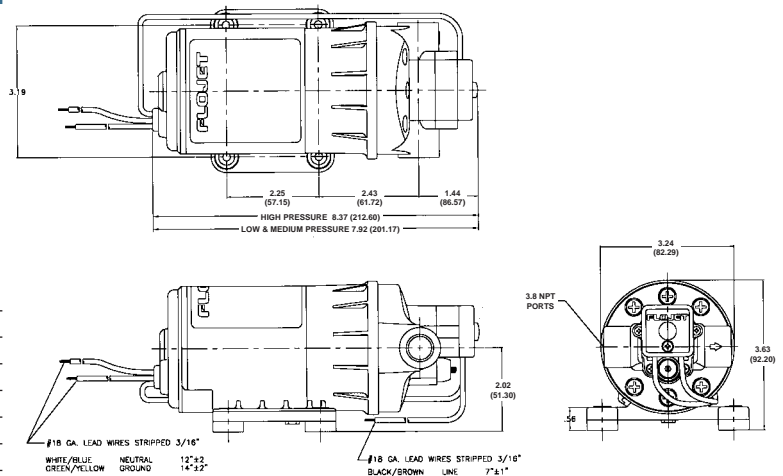
SPECIFICATIONS

Pump: Positive Displacement two piston design
Flow Rate: 2.2 GPM (8.32 L/min) for high pressure models 1.6 GPM (6.05 L/min) for medium and low pressure models
Pressures: Up to 100 PSI (6.89 bar)
Ports: 3/8" NPT female
Motor: Permanent Magnet with solid state rectifier
Voltages: 12 & 24 V DC, 115 & 230 V AC
Cycle: 50/60 hertz for AC models
Dry Vacuum: Up to 8 feet (2.4 M)
Pressure Switch Setting: 15, 30, 45, 60, 80, and 100 PSI
Wetted Parts: Polypropylene, Viton®, Buna or EPDM
Net Weight: 4 to 5 lbs. (2.28 kgs)
Maximum Operating Pressure: 100 PSI (6.8 bar)

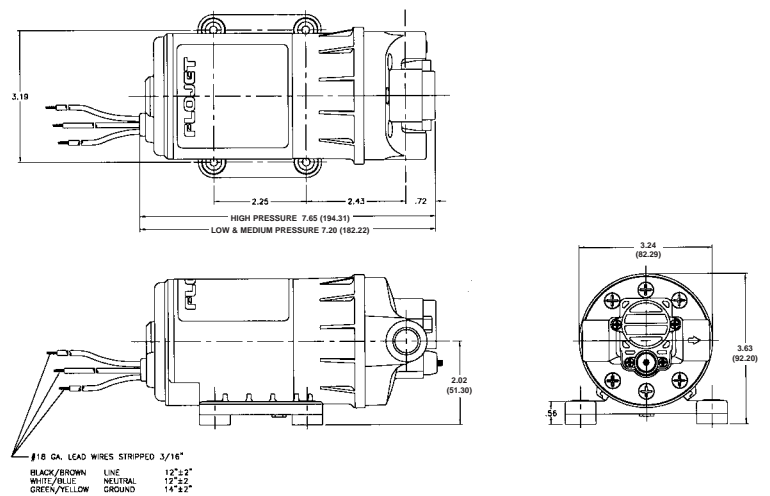


DIMENSIONS inches (mm)

Demand Pump



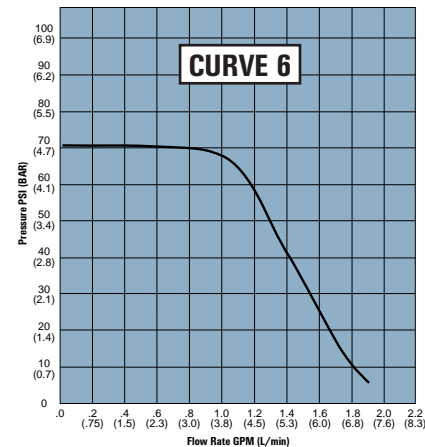
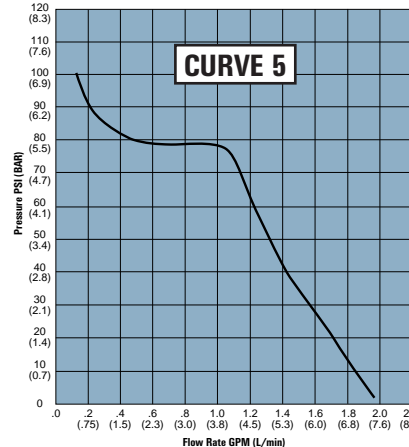
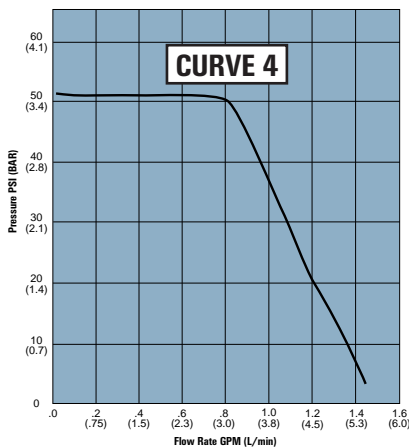
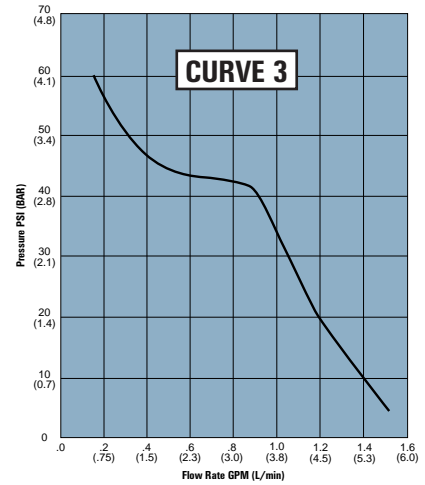
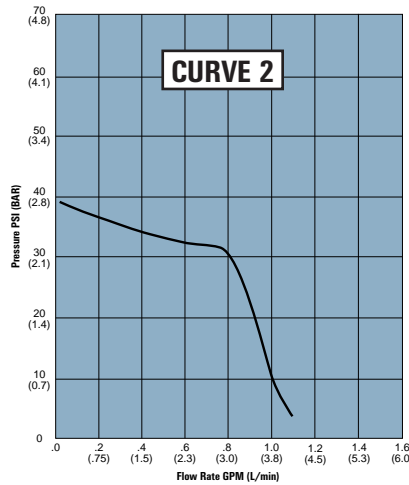
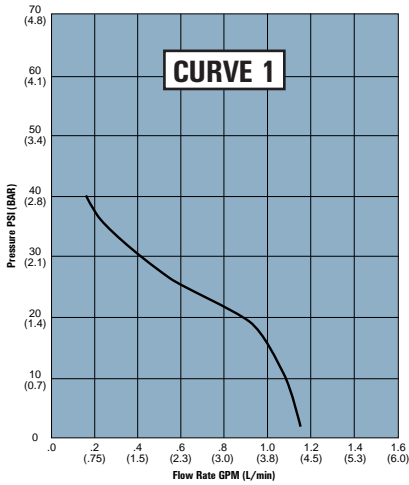
Bypass Pump



DUPLEX II

To choose a pump model number, fill in the desired voltage code for 'x' and the compatible elastomers code for 'y'. Hence, for a medium pressure demand pump where a 115 V AC motor is required and Viton is chosen, the model number becomes D3631V5011.

Duplex II Standard Models								
Low Pressure (Up to 40 psi)	Demand Pump	D3	_____	21*	_____	3011 (Reference Curve #1)		
			(x)		(y)			
	Bypass Pump	D3	_____	21*	_____	1211 (Reference Curve #2)		
			(x)		(y)			
Medium Pressure (Up to 60 psi)	Demand Pump	D3	_____	31*	_____	5011 (Reference Curve #3)		
			(x)		(y)			
	Bypass Pump	D3	_____	31*	_____	1311 (Reference Curve #4)		
			(x)		(y)			
High Pressure (Up to 100 psi)	Demand Pump	D3	_____	35	_____	7011 (Reference Curve #5)		
			(x)		(y)			
	Bypass Pump	D3	_____	35	_____	1411 (Reference Curve #6)		
			(x)		(y)			
		x	_____	1 for 12 VDC		y	_____	V for Viton® Check Valves and Viton® Diaphragm (Viton not available in high pressure diaphragm pump)
				6 for 115 VAC, 50/60 HZ				B for Buna Check Valves and Buna Diaphragm
				7 for 230 VAC, 50/60 HZ				E for EPDM Check Valves and EPDM Diaphragm
				(See 230 V Notes)				
<p>Note: All 230 V pumps have CE mark and full RFI suppression. This is denoted by the "RL" suffix in the model number. Contact Flojet for 230 V pumps with partial and no suppression. * Replace "1" with "2" for 230 V pumps.</p>								



CHEMICAL RESISTANCE GUIDE

This Chemical Resistance Guide is offered to assist in selecting pump materials that are most resistant to the chemicals that may be used with a FLOJET pump.

The information is based on FLOJET laboratory tests, field testing programs and general data from industry sources. It should be used only as a guide in the selection of pump materials. Suitability for the application should be determined by actual use and is the full responsibility of the customer. No warranty, expressed or implied, can be extended by FLOJET where failure is caused by chemical attack on pump materials. Temperature, aeration, concentration and other factors may change the effect of the specific fluid on the pump materials. Data shown is based on results at ambient temperatures, unless otherwise noted. Flojet recommends the use of our Soak Test kit number F100-168, available for free upon your request.

RATING SYSTEM

The **"A" rating** indicates little effect on the physical properties of the material (Generally Satisfactory).

The **"B" rating** indicates minor to moderate effect (Generally Satisfactory But Should Be Qualified By Testing).

The **"C" rating** indicates a change in the physical properties in excess of acceptable tolerances could occur (Generally Not Satisfactory, Must Be Qualified By Testing).

The **"D" rating** indicates rapid physical deterioration, swelling of check valves, diaphragm or chemical attack on the pump housing material (Not Satisfactory).

Where no rating is shown data is not currently available, pump materials should be qualified by testing.

It is recommended that the pump be thoroughly flushed with water or other neutralizing agent after each use whenever possible.

	PLASTICS				ELASTOMERS				ALLOYS		
	POLYPROPYLENE	NYLON	POLYETHYLENE	ACETAL COPOLYMER	VITON	BUNA	SILICONE	EPDM	SANTOPRENE	316 STAINLESS STEEL	HASTELLOY
Acetaldehyde	A	A	D		C	D	A	B		A	A
Acetamide	A	A	A		B	A	B	A		A	
Acetate Solvents (crude)	D	A	A		D	D	C	V		A	
Acetate Solvents (pure)	D	A	B		D	D	C	B		A	
Acetic Acid, Glacial	A	D	A		D	C	B	B		A	A
Acetic Acid, 10%	A	C	A		C	B		B		A	
Acetic Acid, 20%	A	B	A		C	B	B	B		A	
Acetic Acid, 50%	A	D	A		C	A		B		A	
Acetic Acid, 80%	B	D	A		C	C	B	A		A	
Acetic Acid, pure	A	D	A		D	C	V	V	A	A	A
Acetic Anhydride	C	A	C		D	D	C	C		A	A
Acetone	A	A	C	A	D	D	B	A		A	
Acetophenone	C				D	C		A		B	
Acetyl Chloride	D	D	D		A	D	C	D		B	
Acetylene	A	A	A		A	B	B	A		A	
Acetylene Tetrabromide	A		A		A	D				A	
Acetylsalicylic Acid	A	A								A	
Acrylonitrile	A	A	A		D	D	D	D	A	B	
Adipic Acid						A					
Aero Lubriplate					A	A	B				
Aero Safe 2300					D	D	C				
Alcohol - Amyl	A	A	B		C	B	D	A			
Alcohol - Benzyl	A	D	D		A	D		B		A	A
Alcohol - Butyl	A	A	A		A	A	B	B		A	A
Alcohol - Diacetone	A	A	B		C	D	D	A		A	A
Alcohol - Ethyl	A	A	B		B	C	B	A		A	A
Alcohol - Hexyl		A	A		B	A	B			A	A
Alcohol - Isobutyl	A	A	A		A	B	A	A		A	A
Alcohol - Isopropyl	A	B	A		A	B	A	A		A	A
Alcohol - Methyl	A	A	A		C	A	A	A		A	A
Alcohol - Octyl	A	A	A		B	B	B	A		A	A
Alcohol - Propyl	A	B	A		A	A	A	A		A	A
Aluminum Chloride, 20%	A	C	B		A	A	B	A		C	A
Aluminum Chloride	A	D	B		A	A	B	A		C	B
Aluminum Citrate											
Aluminum Fluoride	A	A	A		C	A	B	A		C	
Aluminum Formate					D	D					
Aluminum Hydroxide	A	A	A		B	A		A		A	
Aluminum Nitrate	A		A		B	A					
Aluminum Oxychloride	A				D						
Aluminum Phosphate					A	A					
Aluminum Potassium Sulfate 10%	A	D	A		A	A	A	A		B	C
Aluminum Potassium Sulfate	A	D	A		A	A	A	A		A	
Aluminum Sulfate	A	A	A		A	A	A	A		B	B
Amines	B	D			D	D	B	B			
Ammonia, 10%	A	A	C		C	D			A		
Ammonia, anhydrous	A	A	A		D	C	D	A		A	B
Ammonia, liquid	A	B			D	C		A		A	
Ammonia Nitrate	A	D			D	C		A		A	
Ammonium Acetate					A	A		A			
Ammonium Alum						B					
Ammonium Bichromate						A		A			
Ammonium Bifluoride	A		A		A	B		A			
Ammonium Bisulfide	A										
Ammonium Carbonate	A	A	B		A	C	A			B	B
Ammonium Casenite										A	
Ammonium Chloride	A	C	A		A	B		A		C	B
Ammonium Dichromate						A					
Ammonium Fluoride						B					
Ammonium Fluoride, 10%	A				A	A					

	PLASTICS				ELASTOMERS				ALLOYS		
	POLYPROPYLENE	NYLON	POLYETHYLENE	ACETAL COPOLYMER	VITON	BUNA	SILICONE	EPDM	SANTOPRENE	316 STAINLESS STEEL	HASTELLOY
Ammonium Fluoride, 25%	A										
Ammonium Hydroxide	A	A	A	C	B	C	A	A		A	B
Ammonium Metaphosphate	A		A		A	A		A			
Ammonium Nitrate	A	B	A		A	A		A		A	D
Ammonium Oxalate		B				A				A	
Ammonium Persulfate	A	C	A		B	C		B		A	D
Ammonium Phosphate, Dibasic	A	C	A		A	A	A	A		C	
Ammonium Phosphate, Monobasic	A	B	A		A	A	A	A		C	
Ammonium Phosphate, Tribasic	A	B	A		A	A	A	A		B	
Ammonium Sulfate	A	A	A		A	A	A	A		B	B
Ammonium Thiosulfate			A			A				A	
Amyl Acetate	C	A	A		D	D	D	A		A	A
Amyl Alcohol	B	A	B		B	B	D	A		A	A
Amyl Chloride	D	C	D		B	D	D				A
Anniline	C	C	B	B	D	D	D	B	A	B	B
Anti-Freeze	D	D		A	A	A			A	A	
Aqua Regia	B	D	C		B	D	D			D	D
Arochlor	D	A	B		A	C	B	B		B	A
Aromatic Hydrocarbons	D	D			A	C	D	D		B	
Arsenic Acid	A		B		A	A	A	A		B	B
Asphalt	B	A	C		A	B	D	D		A	
Barium Carbonate	A	A	B		A	A		A		B	B
Barium Chloride	A	A	A		A	A	A	A		B	A
Barium Cyanide	D		B		A	C		A		B	
Barium Hydroxide	B	A	B		A	B	A	A		B	B
Barium Nitrate	A	A	B		A	A		A		B	B
Barium Sulfate	A	A	A		A	A	A	A		A	C
Barium Sulfide	B	A	A		A	A	A	A			
Beer	A	A	A	A	A	A	A	A		A	A
Beer Sugar Liquid	B	A			A	A	A	A		A	
Benzaldehyde	C	C	D		D	D	D	C		A	A
Benzalkonium Chloride											
Benzene	C	A	D	A	A	D	D	D		B	B
Benzoic Acid	B	C	C		A	D	B	C		B	B
Benzol	A	D	C		A	D		B		A	
Benzyl Benzote						A	D	C			
Benzyl Chloride						D	D	D			
Black Liquor	A	A		A	A	A	B	B			
Bleach	A	C	A		A	D	B	A			
Borax	A	A	A		A	C	B	A		A	A
Boric Acid	A	B	A		A	A	A	A		B	A
Brake Fluid				A	D	C	C	A	A		
Brewery Slop					A	A				A	
Brine	A				A	A					
Brine Acid	A		A		A	A		A			
Bromic Acid	D					A		B			
Bromine Dry		D			A	D	D	D			A
Bromine Gas		D			A	D	D	D			A
Bromine Liquid	D	D	D		A	D	D	D		D	A
Bromine Water	C	D	D		A	C	D	D			A
Bromobenzene							D				
Bromotoluene	D										
Butadiene	C	A	D		A	C	D	C		A	
Butane	A	A	C		A	A	D	C		A	B
Butanediol			A		A	A		D			
Butter			A		A	A	B	A		A	
Buttermilk	A	B	A		A	A				A	A
Butylene		B	C		A	B	D	D		A	
Butyl Acetate	B	A	C		D	D	D	B	A	B	A

	PLASTICS				ELASTOMERS			ALLOYS			
	POLYPROPYLENE	NYLON	POLYETHYLENE	ACETAL COPOLYMER	VITON	BUNA	SILICONE	EPDM	SANTOPRENE	316 STAINLESS STEEL	HASTELLOY
Butyl Acrylate Pure	D				D			A			
Butyl Acrylate Saturated	D				D	C		D			
Butyl Amine	D				D	C	B	D			B
Butylebenzene					A	D					
Butyl Benzorte					A	D		A			
Butyric Acid	C	B	C		C	D		B		B	B
Calcium Bisulfate							A			A	
Calcium Bisulfide	A	A			A	A		C		B	
Calcium Bisulfite	B	A	A		A	A	A	D		A	B
Calcium Carbonate	A	A	B		A	A	A	A		B	B
Calcium Chlorate					A	C		A			
Calcium Chloride	A	A	B		A	A	A	A		B	B
Calcium Hydroxide	A	A	B		A	B	A	A		B	A
Calcium Hydrochloride	A	C	B		A	B	B	B		C	B
Calcium Sulfate	A	D	B		A	A		A		B	B
Calgon	A	A		B	A	A		A		A	
Cane Juice	C	A			A	A	A	A		A	
Carbolic Acid	B	D	B		A	C	D	B		B	
Carbon Bisulfide	C	A	D		A	C		D		B	
Carbon Dioxide (wet or dry)	A	A	B		A	C	B	B		A	A
Carbon Monoxide	A	A	A		A	A	A	A		A	A
Carbon Tetrachloride	D	C	D		B	C	D	D		B	B
Carbonated Water	B	A	A		A	A				A	
Carbonic Acid	A	A	A		A	B	A	A		B	A
Casein					A	A		A			
Castor Oil	A		C		A	A	A	B			
Catsup	A	A			A	A			C		A
Caustic Lime					B	A		A			
Caustic Potash	A				D	A		A			B
Caustic Soda	A				B	C		A			A
Chloral Hydrate	A	D			A	C					
Chloracetic Acid	C	D	C		D	C		B		C	A
Chloric Acid		D				D				C	
Chloric Acid, 20%	D										
Chlorinated Glue					A	C		B		A	
Chlorine Dioxide	C				D						
Chlorine Dry	C	D	B		C	D	D	B		B	B
Chlorine Gas Dry	D				B	C		D			
Chlorine Gas Wet	D				C	C		D			
Chlorine Liquid	C	D	C		A	C				D	A
Chlorine Water	C		A		A	C		B		C	B
Chlorobenzene (Mono)	C	B	C		A	D	D	D		B	B
Chloroform	C	D	C		A	D	D	D		A	A
Chlorosulfonic Acid	D	D	D		D	D	D	D		D	A
Chlorox Bleach	D	A	B		A	B		B		A	
Chocolate Syrup	A	A			A	A				A	
Chresylic Acid, 50%			D		A	D					
Chrome Alum			A		A	A	A				
Chromic Acid, 05%	C	D	B		A	D	C	A		A	A
Chromic Acid, 10%	B	D	A		B	D	C	B		B	A
Chromic Acid, 20%	C	D	A		B	C	C	B			
Chromic Acid, 30%	C	D	A		A	D	C	B		B	
Chromic Acid, 50%	C	D	C		A	D	C	B		B	D
Chromium Alum	A				A			A			
Cider	A		B		A	A				A	
Citric Acid	A	A	A	A	A	A	A	A		A	A
Citric Oils	A				A	A		B		A	
Cobalt Chloride					A	A	B	A			
Coconut Oil	A		A		A	A	A	A		A	
Coffee	A	A			A	A	A	A		A	

	PLASTICS				ELASTOMERS			ALLOYS			
	POLYPROPYLENE	NYLON	POLYETHYLENE	ACETAL COPOLYMER	VITON	BUNA	SILICONE	EPDM	SANTOPRENE	316 STAINLESS STEEL	HASTELLOY
Copper Chloride	A	A	B		A	A	A	A		C	B
Copper Cyanide	A	A	A		A	A	A	A		A	B
Copper Fluoborate					A	B				D	B
Copper Nitrate	A	D	B		A	A				B	C
Copper Culfate	A	C	B		A	A	A	A		B	B
Cream	A	A			A	A				A	
Cresols	D	D	C		A	D	D	D		A	B
Cresylic Acid	D	D	B		A	D	D	D		A	B
Cyanic Acid					A	C					
Cyclohexane	C	A	B		A	B	D	D	D	A	B
Detergents	B	A	A	B	A	A	A	A		A	B
Diacetone Alcohol	A				D	D	D	A			
Diazo Salts	A		A								
Dibutyl Amine					C	C	C	D			
Dibutyl Ether					C	C	D	C			
Dibutyl Phthalate	B	A			B	D	B	A			B
Dibutyl Sebacate					C		B	B			
Dichlorethane	A	C	C		C						B
Dichloromethane					B	D		D			
Diesel Fuel	B		C	A	A	A	D	D		A	B
Diethylamine	B	A	D		C	C	B	B			B
Diethyl Ether	B			A	C	D	D	C	A		B
Diethyl Oxide					D	B		D			
Diethylene Glycol	A	A	B		A	A	D	A		A	
Diglycolic Acid	A				A			A			
Diisobutyl Ketone					D			D			
Diisobututylene					A		D	D			
Diisooctyl Phthalate					B			B			
Diisopropyl Ketone					D		D	B			
Dimethyl Amine	A				D	B		C			
Dimethyl Benzene					A	D		D			
Dimethyl Ether					B	B		B			
Dimethyl Formamide	A	A		A	C	B	B	B	A		
Dimethyl Ketone					D	D		A			
Dimethyl Phthalate					B	C		B			
Dimethylamine	A				D			D			
Diocetyl Phthalate	D		D		A	D	C	B			
Dioxane	B	A			D	D	D	B			
Diphenyl Oxide	D		D		A	D	C	D			B
Dyes		A			A						A
Epsom Salts	A	A	A		A	A	A	A		B	A
Ethane	C	D	D		A	A	D	D		A	A
Ethanolamine	B	A			D	B	B	B		A	B
Ether	D	A	C		C	D	D	C		B	B
Ethyl Acetate	B	A	B	A	D	D	B	B		B	A
Ethyl Chloride	C	A	B		A	A	D	A		A	B
Ethyl Sulfate					A	A				D	
Ethylene Chloride	C	B	C		B	D	D	D		A	B
Ethylene Dichloride	B	B	C	A	A	D	D	C		A	A
Ethylene Glycol	A	B	A	B	A	A	A	A		A	B
Ethylene Oxide	C	A	C		D	D	D	C		C	
Fatty Acids	B	A	B		D	D	D	C		A	A
Ferric Chloride	B	C	A		A	B	B	A		C	C
Ferric Nitrate	B	A	B		A	A	C	A		A	B
Ferric Sulfate	B	A	A		A	A	B	A		A	B
Ferrous Chloride	A	C	A		A	A				C	D
Ferrous Sulfate	A	C	A		A	A		A		B	B
Flouboric Acid	A	D	B		A	A		A		C	A
Fluorine	C	D	C		B	C	D	A		C	B
Fluosilic Acid	A	D	B		A	A	B	A			B

	PLASTICS			ELASTOMERS				ALLOYS			
	POLYPROPYLENE	NYLON	POLYETHYLENE	ACETAL COPOLYMER	VITON	BUNA	SILICONE	EPDM	SANTOPRENE	316 STAINLESS STEEL	HASTELLOY
Formaldehyde	C	D	B		D	C	B	A		A	B
Formaldehyde, 40%	A	C	A		A	B		A		A	B
Formic Acid	A	C	B		C	B	B	A		C	B
Freon 11	D	D	C		A	B	D	D	C	A	
Freon 12	D	D	C		B	A	D	B		A	
Freon 22	A	B	A		D	D	D	A		A	
Freon 113	D	D			B	A	D	D		A	
Freon T.F.	D	D	D		B	A	D	D		A	
Fructose	A	A	A		A	A		A		A	
Fruit Juice	A	A	B		A	A				A	
Fruit Pulp	A	A			A					A	
Fuel Oils	B	A	D		A	A	C	D		A	B
Furan Resin	D	D			D	D	D	C		A	A
Furfural	C	B	D		D	D	D	B		A	B
Gallic Acid	A	B	D		A	A		A		B	B
Gasoline	D	A	D	A	B	A	D	D		A	A
Gelatin	A	A	A		A	A	A	A		A	B
Glucose	A	B	A		A	A	A	A		A	
Glue		A	A		A	A	A	A		A	
Glycerin	A	A	A		A	A	A	A	A	A	A
Glycerol	A	A	A		A	A	A	A	A	A	A
Glycolic Acid	A		A	C	A	A	A	A		A	B
Gold Monocyanide					A	A				A	
Grape Juice		A	B		A	A				A	
Grease					A	D				A	
Heptane	C	A	C	A	A	A	D	D		A	B
Hexane	C	A	C		A	A	D	D		A	B
Honey	A	A	B		A	A				A	
Hydraulic Oil (Petroleum)	D	A	D		C	A	C	D		A	
Hydraulic Oils (Synthetic)	D	A	A		A	C				A	
Hydrazine	C				A	B	C	A		A	
Hydrobromic Acid 20%	A	D	B		A	D	A	D		D	B
Hydrobromic Acid	A	D	A		A	D	D	A		D	B
Hydrochloric Acid dry gas	B	A	A					C		D	A
Hydrochloric Acid, 20%	B	D	A	D	A	C	C	A	A	D	B
Hydrochloric Acid, 37%	B	D	C		A	B	B	A		D	A
Hydrochloric Acid, 100%	D	B			A	D	D	C		D	A
Hydrocyanic Acid	A	C	A		A	B	C	A		B	A
Hydrocyanic Acid (Gas 10%)	A				A	B		A			
Hydrofluoric Acid, 20%	A	C	A		A	C	D	A		C	B
Hydrofluoric Acid, 50%	A	D	A		A	C	D	A		D	B
Hydrofluoric Acid, 75%	C	D	C		A	D	D	C		D	B
Hydrofluosilicic Acid	A	D	B		A	B	D	A		D	B
Hydrogen Gas	A	A	A		A	A	C	A		A	A
Hydrogen Peroxide, 10%	B	C	A	A	A		B			B	D
Hydrogen Peroxide, 30%	B	D	C		A		B			B	D
Hydrogen Peroxide, 50%	B	D	C		A		B			A	C
Hydrogen Peroxide, 100%	B	D	C		A	B	B	A		A	A
Hydrogen Sulfate (aqua)	A	C	A		D	D	C	A		C	A
Hydrogen Sulfide (dry)	A	C	A		D	A	C	A		B	B
Hydroxyacetic Acid			A		A	A		A			
Hydroxyacetic Acid (70%)			A		A	A		A			
Hydroxylamine Sulfate	A							A			
Hypochlorous Acid	A		A		B	D		B		D	
Ink	A	C	D		A	A				A	
Iodine	B	D	B		A	B		B		C	B
Isotane	D	D			A	A					
Isopropyl Acetate	B	B	B		D	D	D	B		B	B
Isopropyl Ether	C	A	C		D	B	D	D		A	
Jet Fuel JP-3	A	A	C		A	A	D	D		A	A

	PLASTICS			ELASTOMERS				ALLOYS			
	POLYPROPYLENE	NYLON	POLYETHYLENE	ACETAL COPOLYMER	VITON	BUNA	SILICONE	EPDM	SANTOPRENE	316 STAINLESS STEEL	HASTELLOY
Jet Fuel JP-4	B	A	C		A	B	D	D		A	A
Jet Fuel JP-5	B	A	C		A	A	D	D		A	A
Kerosene	A	A	C	A	A	A	D	D		A	A
Ketones	B	A	C		D	D		C		A	B
Laquer	B	A	C		D	D	D	D		A	
Laquer Thinner	B	A	B		D	D	D	A		A	
Lactic Acid	A	C	B		A	A	A	B		A	B
Lard	A	A	B		A	A	B	C		A	A
Latex	A	A	A		A	A		B		A	
Lead Acetate	A	B	B		D	B	D	A		B	B
Lead Chloride	A				A			A			
Lead Nitrate	A				A	A	B	A		B	B
Lead Sulfamate	A	B	A		A	B	B	A		B	
Ligroin	B	D	C		A	A	D	C		A	
Lime	A	A	B		A	A	B	C		A	
Linoleic Acid	A				B	B	B	D		A	
Linseed Oil	A	A	D	A	A	A	A	B		A	A
Lubricants	A	A	D		A	A	D	D		A	B
Magnesium Carbonate	A		A		A	A		A		A	B
Magnesium Chloride	A	A	A		A	A	A	A		A	A
Magnesium Hydroxide	A	B	A		A	A	A	A		A	B
Magnesium Nitrate	A	A	A		A	A		A		A	B
Magnesium Oxide					A					A	
Magnesium Sulfate	A	A	A		A	A	A	A		B	A
Maleic Acid	A	B	B		A	D	B	D		B	B
Maleic Anhydride	D				A	D		D			A
Mash		A			A	A		A		A	
Mayonnaise		A	B		A	A				A	
Melamine	A	A			A	C		A		D	
Mercuric Chloride	A	D	A		A	A				C	D
Mercuric Cyanide	A	A	A		A	A				B	D
Mercury	B	A	A		A	A		A		A	B
Methyl Acetate	D	A	B		D	D	D	B		A	B
Methyl Acrylate	D		B		D	D	D	B			
Methyl Acetone		A			A	D				A	
Methyl Bromide	C	C	D		A	D			D	A	
Methyl Butyl Ketone	D	D	A		D	D	D	A		A	B
Methyl Cellosolve	B	C	B		D	C	D	B		A	
Methyl Chloride	D	C	C		A	D	D	C		A	B
Methyl Dichloride	D	C			A	D	D	D			
Methyl Ethyl Ketone	A	A	B		D	D	D	A	A	A	B
Methyl Isobutyl Ketone	C	A	A		D	D	D	C		A	
Methyl Isopropyl Ketone	D	D	D		D	D	D	B		A	
Methyl Methacrylate	D				D	D	C	D			
Methylamine	D				D	D		A		A	
Methylene Chloride	B	C	C		B	D	D	D		B	A
Milk	B	A	A		A	A	A	A		A	A
Mineral Oil	A	A	D	A	A	A	B	D		A	
Molasses	A	A	A		A	A		C		A	A
Motor Oil	C			A	A	A		D			
Mustard	A	A	A		D	C	A	A		A	A
Naptha	C	A	A		A	C	D	D		A	B
Napthalene	B	A	A		A	D	D	D	A	B	
Natural Gas	A				A	A	A	D			
Neon					A	A	A	A			
Nickle Chloride	A	C	B		A	A	A	A		C	A
Nickle Sulfate	A	A	B		A	A	A	A		B	B
Nitric Acid (5-10%)	A	C	B	D	A	D	C	D		A	D
Nitric Acid (20%)	A	D	C		A	D	D	B		A	D
Nitric Acid (50%)	D	D	C		A	D	D	D		A	D

	PLASTICS				ELASTOMERS				ALLOYS		
	POLYPROPYLENE	NYLON	POLYETHYLENE	ACETAL COPOLYMER	VITON	BUNA	SILICONE	EPDM	SANTOPRENE	316 STAINLESS STEEL	HASTELLOY
Nitric Acid (Concentrated)	D	D	C		A	D	D	D		A	
Nitrobenzene	B	B	C		B	D	D	D	A	A	C
OILS											
Aniline	A	A			C	D	D	B		A	
Anise		A								A	
Bay					A					A	
Bone	A				A	A				A	
Castor	A	A			A	A	A	B		A	
Cinnamon		A			A					A	
Citric		A			A						
Clove		A			A	A				A	
Coconut	A	A			A	A	A	C		A	
Cod Liver	A				A	A	B	A		A	
Corn	A	A	C		A	A	A	C		A	
Cotton Seed	A	A	B		A	A	A	C		A	
Creosote	C	D	C		A	B	D	D		B	
Diesel Fuel	A	A	C		A	A	D	D		A	
Fuel	C	A	C		A	B	C	D		A	
Ginger		A			A	A		A		A	
Hydraulic	D	A	C		A	A	C	D		A	
Lemon		A			A			D		A	
Linseed	A	A	C		A	A	A	C		A	
Mineral	B	A	B		A	A	C	D		A	
Olive	A	A	A		A	A	D	B		A	
Orange		A			A	A	D			A	
Palm		A			A	A				A	
Peanut	D	A			A	A	A	C		A	
Peppermint		A			A	D				A	
Pine	D	A			A	B	D	A		A	
Rape Seed	D				A	B	D	A		A	
Rosin	A	A	B		A	A				A	
Sesame Seed		A			A	A				A	
Silicone	A	A	A		A	A	C	A		A	
Soybean	A	A	A		A	D	A	C		A	
Sperm					A	A				A	
Tanning					A	A				A	
Oil, Turbine	B		C		A	B	D	D		A	
Oleic Acid	A	B	D	A	B	B	D	C		B	B
Oleum	D	D	A		D	D	D			B	
Oxalic Acid	A	B	A		A	B	B	A		B	B
Oxygen Gas	A				A	C	B	A			
Ozone	C		C		A	D	A	A			
Palmitic Acid	A	B			A	A	D	B			
Paraffin	A	A	B		B	A	D	D		A	A
Pentane	D	A	D		A	A	D	D		C	
Perchloroethylene	C	C	D		A	D	D	D		A	B
Petrolatum	C	D	B		A	A	C	C		A	
Phenols 10%	B	D	A	B	B	D	D	C		B	
Phenols 100%	A	D	B			D	D	D		A	
Phosgene Gas	C				D	D		A			
Phosgene Liquid	D				D	D		A			
Phosphoric Acid < 40%	A	D	B		A	C	D	B		A	A
Phosphoric Acid > 40%	A	B	A		A	C	C	B		B	B
Phosphoric Acid (crude)	B	B	C		A	C	C	B		C	A
Phosphoric Acid (molter)	D										C
Phosphoric Acid Anhydride	A										
Phosphorus Trichloride	C		A		C	D		C		A	D
Photographic Developer	A		B		A	A	A	B		A	
Phthalic Acid	D	B			A			A			B
Phthalic Anhydride	D				A	C		A		B	A

	PLASTICS				ELASTOMERS				ALLOYS		
	POLYPROPYLENE	NYLON	POLYETHYLENE	ACETAL COPOLYMER	VITON	BUNA	SILICONE	EPDM	SANTOPRENE	316 STAINLESS STEEL	HASTELLOY
Plating Solutions - Antimony	A				A	A				A	
Plating Solutions - Arsenic	A	A			A	A				A	
Plating Solutions - Brass	A	A	B		A	A				A	
Plating Solutions - Bronze	A	A			A	A		A		A	
Plating Solutions - Cadmium	A	C			A	A					A
Plating Solutions - Chrome	A	D			A		D				
Plating Solutions - Copper	A	C			A	A				A	
Plating Solutions - Gold	A	A			A	A				A	
Plating Solutions - Indium	A	D			A	A				A	
Plating Solutions - Iron	A	D			A	A				A	A
Plating Solutions - Lead	A	D			A	A				A	
Plating Solutions - Nickel	A	C			A	A				A	
Plating Solutions - Silver	A	A			A	A		A		A	
Plating Solutions - Tin	A	D			A	A				A	
Plating Solutions - Zinc	A	D			A	A				A	
Potash	A	A	B		A	A				A	
Potassium Bicarbonate	A	A	A		A	A				B	B
Potassium Bromide	A	A	A		A	A				B	A
Potassium Carbonate	A	A	A		A	A				B	B
Potassium Chlorate	A	A	A		A	A				B	B
Potassium Chloride	A	B	A		A	A	A	A		B	B
Potassium Chromate	A	A	A		A	A				B	A
Potassium Cyanide Solutions	A	A	A		A	A	A	A		B	B
Potassium Dichromate	A	D	A		A	A	A	A		B	B
Potassium Ferrocyanide	A	B	A		A	A				B	B
Potassium Hydroxide	A	C	A		B	B	C		A	B	B
Potassium Iodide	A				A	A		A		A	
Potassium Nitrate	A	B	B		B	A	A	A		B	D
Potassium Perborate	A		A								
Potassium Perchlorate	A		A			A		A			
Potassium Permanganate	A	D	A		B	A		A		B	B
Potassium Persulfate	A	A	A		A	A		A			
Potassium Sulfate	A	A	A		A	A	A	A		B	
Potassium Sulfide	A	A	A		A	A	A	A		A	
Potassium Thiosulfate					A	A					
Propane	B	A			A	A	D	D		A	
Propanol					A	A		A	A		
Propargyl Alcohol	A		A								
Propyl Acetate					D	D	D	B			
Propylene					A	D	D	D			
Propylene Dichloride	C		C		D	D		D			
Propylene Glycol	A		B		A	A		A		A	B
Pyridine	A	A	B		D	D	D	B	A	A	A
Pyrogalic Acid	A				A					B	B
Rosins	A	A	B		A	A				A	A
Rum	A	A			A	A		A		A	
Rust Inhibitors	A				A	A				A	
Salad Dressing	A	A			A	A				A	
Sea Water	A	A	A		A	A	A	A	A	A	A
Sewage	A				A	A	B	B		A	
Shellac (Bleached)	A	A	A			A				A	
Shellac (Orange)	A	A	A			A				A	
Silicic Acid	A		A		A	A					
Silicone	A	A			A	A	C	A		A	
Silver Bromide										B	B
Silver Cyanide	A				A			A			
Silver Nitrate	A	A	B		A	B	A	A		B	B
Silver Salts	A		A		A	A				A	
Silver Sulfate	A				A	C		A			
Soap Solutions	A	A	B		A	A	A	A		B	B

	PLASTICS				ELASTOMERS				ALLOYS		
	POLYPROPYLENE	NYLON	POLYETHYLENE	ACETAL COPOLYMER	VITON	BUNA	SILICONE	EPDM	SANTOPRENE	316 STAINLESS STEEL	HASTELLOY
Sodium Acetate	A	B	B		D	B	D	A		B	
Sodium Aluminate	A	A	A		A	A		A	A	A	B
Sodium Bicarbonate	A	A	A		A	B	D	A		B	B
Sodium Bisulfate	A	A	A		A	B		A		B	B
Sodium Bisulfide	A	A	A		A	A	A	A		B	
Sodium Borate	A	A	A		A	A	A	A		B	
Sodium Carbonate	A	B	B	A	A	A	A	A		A	B
Sodium Chlorate	A	D	B		A			A		B	
Sodium Chloride	A	A	A	B	A	A	A	A	A	B	A
Sodium Chromate		D			A	A				B	
Sodium Cyanide	A	A	A		A	A	A	A		A	
Sodium Hydroxide 20%	A	A	A	A	B	B	B	A		A	A
Sodium Hydroxide 50%	A	A	A	B	B	B	B	A	A	B	A
Sodium Hydroxide 80%	A		B	C	B	B		A		B	
Sodium Hypochlorite < 20%	B	D	A	D	A	B	B	B		C	
Sodium Hypochlorite 100%	B	D	B		A	B	B	B	D		
Sodium Hyposulfate									A	A	
Sodium Metaphosphate	A	A	A		A	A		A		A	
Sodium Metasilicate	A				A	A		A		A	A
Sodium Nitrate	A	A	A		A	B	D	A		B	B
Sodium Perborate	A	B	A		A	B	B	A		B	B
Sodium Peroxide	B	A	A		A	B	D	A		A	C
Sodium Phosphate Alkaline	A	A			A	A		A		B	
Sodium Phosphate Neutral	A	A			A	A		A		B	
Sodium Polyphosphate	A	A	A		A	A	D	A		B	
Sodium Silicate	A	A	A		A	A	A	A		A	C
Sodium Sulfate	A	A	A		A	A	A	A		B	B
Sodium Sulfide	A	A	A		A	A	A	A		B	B
Sodium Sulfite	A	D	B		A	A	A	A		B	D
Sodium Tetraborate		A	A		A	A				A	
Sodium Thiocyanate			A		A		A	D			
Sodium Thiosulfate	A	B	A	A	A	B		A		A	
Sorghum		A			A	A				A	
Soy Sauce		A			A	A				A	
Soybean Oil			A		A			A		A	
Stannic Chloride	A	B	A		A	A	B	A		D	B
Stannic Fluoborate					A	A				A	
Stannous Chloride	A	C	B		A	A	B	B		A	B
Starch	A	A	B		A	C		A		A	
Stearic Acid	A	A	B		A	B	B	C		A	C
Stoddard Solvent	C	A	C		A	A	D	D		A	
Styrene		A			C	D	D	D		A	
Sugar (liquids)	A	A			A	A	A	A		A	B
Sulfate Liquors	A	B	A		A	A		A		B	B
Sulfur	D	A	B		A	C		C			
Sulfur Chloride	C	A	C		A	D	C	D		D	A
Sulfur Dioxide Dry	A	B	A		A	D	B	A		A	B
Sulfur Dioxide Wet	A	C	B		A	D	B	A		A	D
Sulfur Trioxide	D	A	C		A	D	B	C		A	
Sulfuric Acid (to 10%)	A	C	A	C	A	D	D	B		B	C
Sulfuric Acid (10-75%)	A	D	A	D	A	D	D	B		D	C
Sulfuric Acid (75-95%)	C	D	B	D	A	D	D	A		D	C
Sulfuric Acid (95-100%)	C	D	B	D	A	D	D	D	A	D	A
Sulfurous Acid	A	D	B		A	B	D	B		C	C
Syrup	A				A	A				A	
Tallow	A	A	C		A	A				A	
Tannic Acid	A	C	B		A	A	B	A		A	B
Tanning Liquors	A	A	A		A	A		B		A	B
Tartaric Acid	A	B	A		A	A	A	B		C	B
Tetrachlorethane	C	C			A	D	D			A	

	PLASTICS				ELASTOMERS				ALLOYS		
	POLYPROPYLENE	NYLON	POLYETHYLENE	ACETAL COPOLYMER	VITON	BUNA	SILICONE	EPDM	SANTOPRENE	316 STAINLESS STEEL	HASTELLOY
Tetrahydrofuran	C	A	C		D	D	B	D		A	B
Toluene, Tuluol	C	A	C	A	A	D	D	B		A	A
Tomato Juice	A	A	A			A		D		A	A
Trichloroethane	C	C			A	D	D	D		A	
Trichloroethylene	C	C	C		A	C	D	D	D	B	B
Trichloropropane					A	A				A	A
Tricresylphosphate	A	A	B		B	D	C	A		A	
Triethylamine	D	A			A	A		A		A	
Turpentine	B	A	C		A	A	D	D	C	A	B
Urine	A	A	A		A	A		A		A	
Varnish	A	C	C		A	B	D	D		A	A
Vegetable Juice		A			A	C				C	
Vinegar	A	C	B		A	B	A	A		A	B
Vinyl Acetate					D	D		B			
Vinyl Chloride		A			A	D		C		A	
Water Acid Mine	A	B	A		A	A	B	A		A	A
Water Deionized	A		A		A	A		A		A	B
Water Distilled	A	A	A	B	A	A		A		A	A
Water, Fresh	A	A	A		A	A	B	A	A	A	A
Water, Salt	A	A	A		A	A		A	A	A	A
Weed Killers		A			A	B				A	
Whey					A	A		A		A	
Whiskey & Wines	A	A			A	A		A		A	
Xylene	C	A	C		B	D	D	D	C	A	B
Xylol	D				A	C	D	D			
Yeast	A		A		A	A					
Zeolite					A	A		B			
Zinc Acetate	A				C	B		A		B	
Zinc Chloride	A	C	A		A	A	D	A	A	C	B
Zinc Hydrosulphite		A			A			A		A	
Zinc Sulfate	A	C	B		A	A	A	A		A	B
Zirlite	A		B		C	B		A			

Santoprene is a trademark of Monsanto.

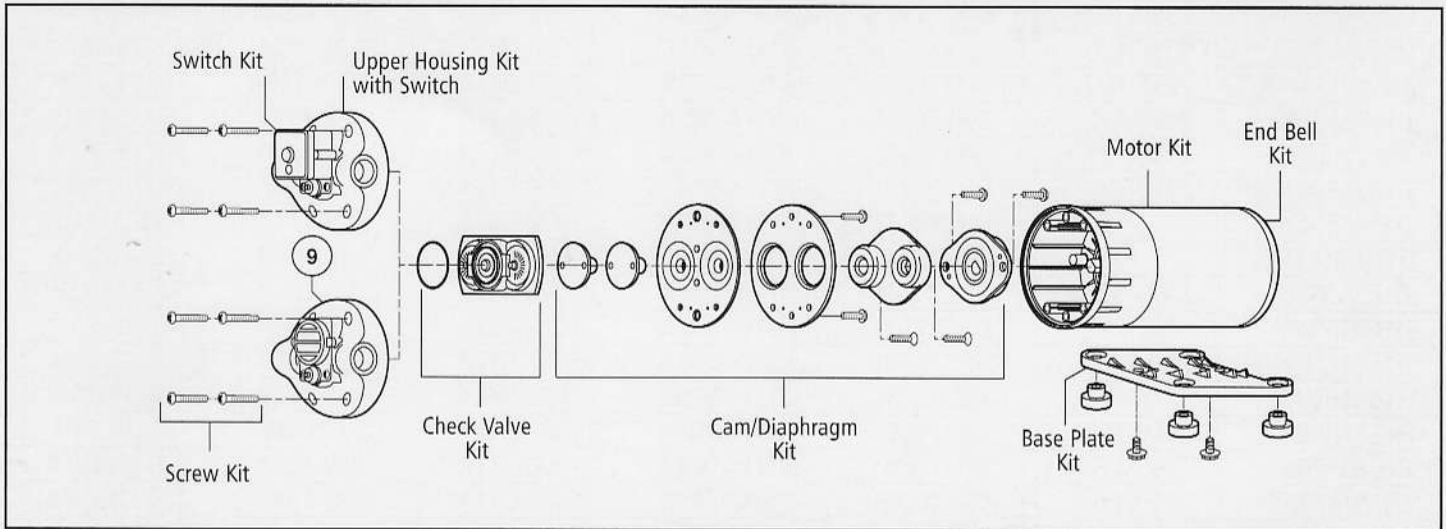
Viton is a trademark of E.I. duPont de Nemours & Co. Inc.

SERVICE PARTS KIT LIST

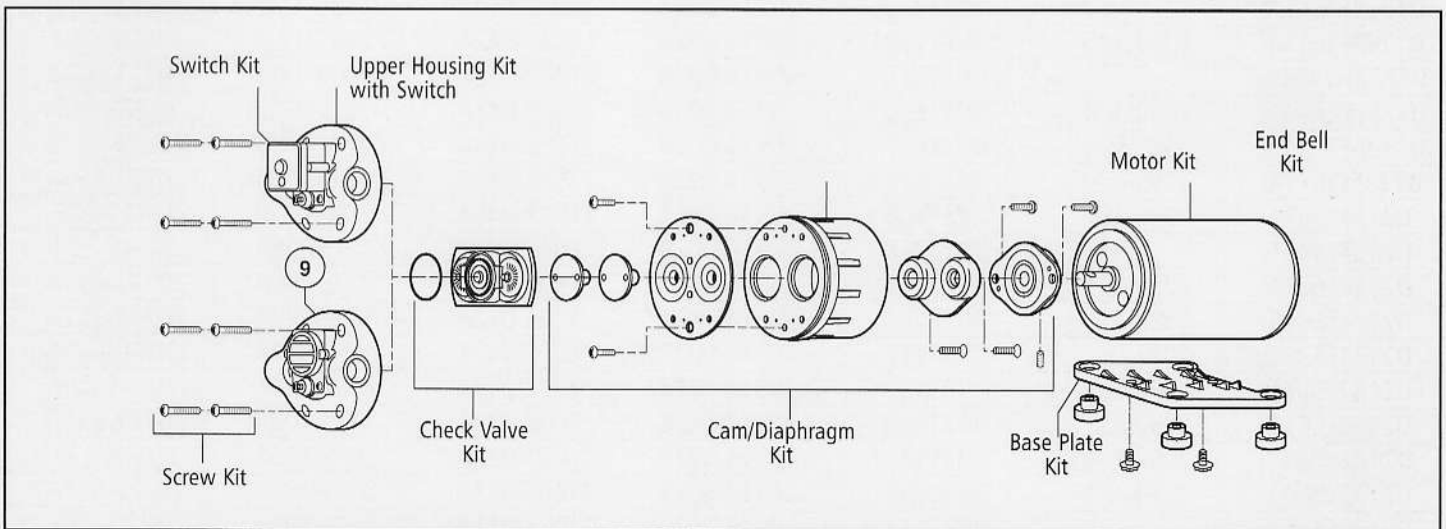
DUPLEX II INDUSTRIAL SERIES

FLOJET®

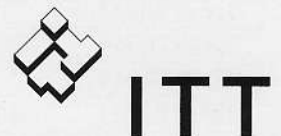
TYPICAL HIGH PRESSURE DUPLEX II (70 TO 100 PSI)



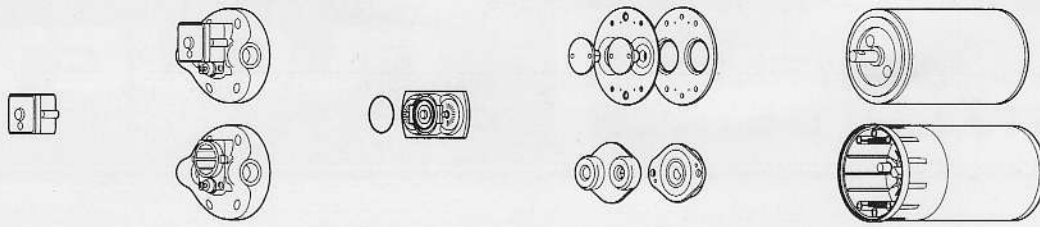
TYPICAL LOW PRESSURE DUPLEX II (30 TO 60 PSI)



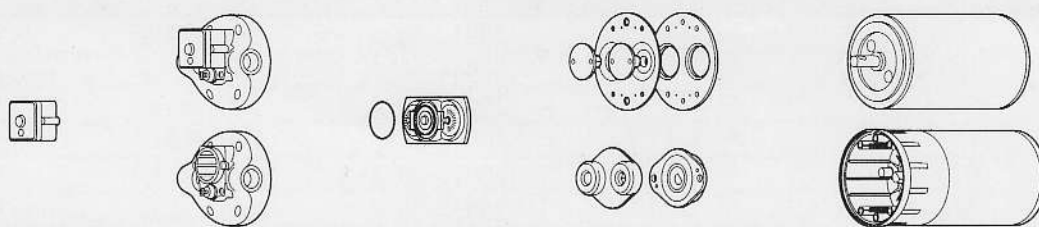
To find correct parts kits: Identify the pump model number in the left column and read across to the kit number required. If the replacement screw kits are required, use kit number 20131-001. Replacement base plate kit number is 11028-101 (plastic) and 11028-109 (metal).



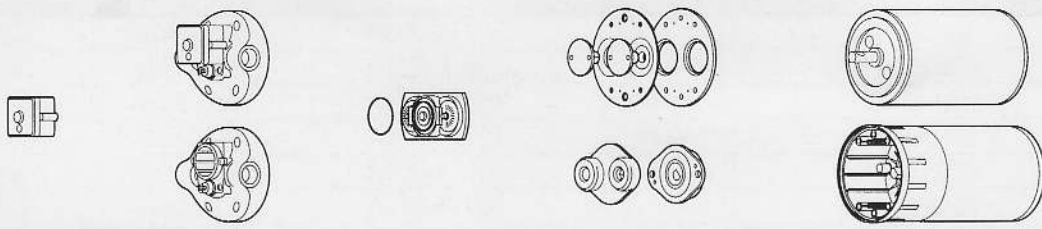
Engineered for life



Pressure Sw. Upper Housing						
Model #	Kit	S/A Kit	Check Valve	Cam/Diaph	Motor	Endbell
D0631H5021	2090-100	DH31E502	20914-003A	21022-042A	2029-000A	20115-210
D0634H7021	2090-120	DH32E702	20914-003A	21006-043A	2029-115A	20772-057A
D0732H5011R	2090-100	DH31E502	20914-003A	21022-042A	R2039-130A	20884-202A
D1525E7012	2090-120	DH22E701	20914-003A	21006-032A	2029-117A	20772-057A
D1625E6011	2090-121	DH22E601	20914-003A	21006-032A	2029-104A	20772-057A
D1625E7012	2090-120	DH22V701	20914-003A	21006-032A	2029-104A	20772-057A
D1625F1411		DH22V141	20914-002A	21022-040A	2029-114A	20115-210
D1625H1411		DH22E141	20914-003A	21022-040A	2029-114A	20115-210
D1625J6011	2090-121	DH22V601	20914-002A	21006-032A	2029-104A	20772-057A
D1631F1311		DH31V131	20914-002A	21022-042A	2029-000A	20115-210
D1631F5011	2090-121	DH31V501	20914-002A	21022-042A	2029-000A	20115-210
D1631H1311		DH31e131	20914-003A	21022-042A	2029-000A	20115-210
D1631H5011	2090-100	DH31V501	20914-003A	21022-042A	2029-000A	20115-210
D1635E7011	2090-120	DH32E701	20914-003A	21006-033A	2029-104A	20772-057A
D1635J7011	2090-120	DH32V701	20914-002A	21006-033A	2029-104A	20772-057A
D1725E6011RL	2090-121	DH22E601	20914-003A	21006-032A	R2039-117A	20772-064A
D1725E7012	2090-120	DH22E701	20914-003A	21006-032A	S2039-108A	20883-205A
D1725F1411RL		DH22V141	20914-002A	21022-040A	R2039-116A	20772-062A
D1725H1411RL		DH22E141	20914-003A	21022-040A	R2039-116A	20772-062A
D1725J6011RL	2090-121	DH22V601	20914-002A	21006-032A	R2039-117A	20772-064A
D1732F1311RL		DH22V131	20914-002A	21022-042A	R2039-129A	20772-062A
D1732F5011RL	2090-100	DH31V501	20914-002A	21022-042A	R2039-128A	20772-064
D1732H1311RL		DH31E131	20914-003A	21022-042A	R2039-129A	20772-062A
D1732H5011RL	2090-100	DH31E501	20914-003A	21022-042A	R2039-128A	20772-064
D1735E7011RL	2090-120	DH32E701	20914-003A	21006-033A	R2039-117A	20772-064A
D1735J7011RL	2090-120	DH32V701	20914-002A	21006-033A	R2039-117A	20772-064A
D2121F5011	2090-100	DH21V501	20914-002A	21022-040A	R2009-114A	20115-229
D2124F1411		DH22V141	20914-002A	21022-040A	2009-096A	20115-229
D2124F6011	2090-121	DH22V601	20914-002A	21006-042A	2009-090A	20772-051A
D2124F6011	2090-121	DH22V601	20914-002A	21006-042A	2009-092A	20772-051A
D2131F1311		DH31V131	20914-002A	21022-042A	2009-114A	20115-229
D2132F5011	2090-100	DH31V501	20914-002A	21022-042A	2009-115A	20115-229
D2132F6011	2090-121	DH31V601	20914-002A	21006-043A	2009-100A	20772-051A
D2132V5011	2090-100	DH31V501	20914-002A	21022-022A	2009-115A	20115-229
D2132V6011	2090-121	DH31V601	20914-002A	21006-023A	2009-100A	20772-051A
D2134F1411		DH32V141	20914-002A	21022-042A	2009-096A	20115-229
D2134F6011	2090-121	DH32V601	20914-002A	21006-043A	2009-090A	20772-051A
D2135J7011	2090-120	DH32V701	20914-002A	21006-033A	2009-092A	20772-051A
D2622V6011	2090-121	DH21V601	20914-002A	21006-022A	2029-116A	20772-057A
D2624F6011	2090-121	DH22V601	20914-002A	21006-042A	2029-115A	20772-057A
D3121B1211		DH21B121	20914-001A	21022-010A	2009-114A	20115-229
D3121B3011	2090-117	DH21B301	20914-001A	21022-010A	2009-114A	20115-229



Pressure Sw. Upper Housing						
Model #	Kit	S/A Kit	Check Valve	Cam/Diaph	Motor	Endbell
D3121E1221		DH21E121	20914-003A	21022-030A	2009-114A	20115-229
D3121E3011	2090-117	DH21E301	20914-003A	21022-030A	2009-114A	20115-229
D3121V1221		DH21V121	20914-002A	21022-020A	2009-114A	20115-229
D3121V3011	2090-117	DH21V301	20914-002A	21022-020A	2009-114A	20115-229
D3131B1311		DH31B131	20914-001A	21022-012A	2009-114A	20115-229
D3131B5011	2090-100	DH31B501	20914-001A	21022-012A	2009-114A	20115-229
D3131E1311		DH31E131	20914-003A	21022-032A	2009-114A	20115-229
D3131E5011	2090-100	DH31E501	20914-003A	21022-032A	2009-114A	20115-229
D3131V1311		DH31V131	20914-002A	21022-022A	2009-114A	20115-229
D3131V5011	2090-100	DH31V501	20914-002A	21022-022A	2009-114A	20115-229
D3135B1411		DH32B141	20914-001A	21022-012A	2009-097A	20115-229
D3135B7011	2090-120	DH32B701	20914-001A	21006-013A	2009-092A	20772-051A
D3135E1411		DH32E141	20914-003A	21022-032A	2009-097A	20115-229
D3135E7011	2090-120	DH32E701	20914-003A	21006-033A	2009-092A	20772-051A
D3135V1411		DH32V141	20914-002A	21022-022A	2009-197A	20115-229
D3621B1211		DH21B121	20914-001A	21022-010A	2029-000A	20115-210
D3621B3011	2090-117	DH21E301	20914-001A	21022-010A	2029-000A	20115-210
D3621E1211		DH21E121	20914-003A	21022-030A	2029-000A	20115-210
D3121E3011	2090-117	DH21E301	20914-003A	21022-030A	2029-000A	20115-210
D3621V1211		DH21V121	20914-002A	21022-020A	2029-000A	20115-210
D3621V3011	2090-117	DH21V301	20914-002A	21022-020A	2029-000A	20115-210
D3631B1311		DH31B131	20914-001A	21022-012A	2029-000A	20115-210
D3631B3011	2090-100	DH31B501	20914-001A	21022-012A	2029-000A	20115-210
D3631E1311		DH31E131	20914-003A	21022-032A	2029-000A	20115-210
D3631E5011	2090-100	DH31E501	20914-003A	21022-032A	2029-000A	20115-210
D3631V1311		DH31V131	20914-002A	21022-022A	2029-000A	20115-210
D3631V5011	2090-100	DH31V501	20914-002A	21022-022A	2029-000A	20115-210
D3635B1411		DH32B141	20914-001A	21022-012A	2029-114A	20115-210
D3635B7011	2090-120	DH32V701	20914-001A	21006-013A	2029-104A	20772-057A
D3635E1411		DH32E141	20914-003A	21022-032A	2029-114A	20115-210
D3635E7011	2090-120	DH32E701	20914-003A	21006-033A	2029-104A	20772-057A
D3635V1411		DH32V141	20914-002A	21022-022A	2029-114A	20115-210
D3722B1211		DH21B121	20914-001A	21022-010A	2039-001A	20115-181
D3722B3011	2090-117	DH21B301	20914-001A	21022-010A	2039-001A	20115-181
D3722E1211		DH21E121	20914-003A	21022-030A	2039-001A	20115-181
D3722E3011	2090-117	DH21E301	20914-003A	21022-030A	2039-001A	20115-181
D3722V1211		DH21V121	20914-002A	21022-020A	2039-001A	20115-181
D3722V3011	2090-117	DH21V301	20914-002A	21022-020A	2039-001A	20115-181
D3732B1311		DH31B131	20914-001A	21022-012A	2039-001A	20115-181
D3732B5011	2090-100	DH31B501	20914-001A	21022-012A	2039-001A	20115-181
D3732E1311		DH31E131	20914-003A	21022-032A	2039-001A	20115-181
D3732E5011	2090-100	DH31E501	20914-003A	21022-032A	2039-001A	20115-181

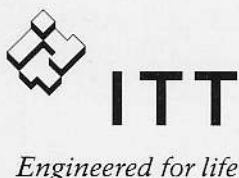


Pressure Sw. Upper Housing						
Model #	Kit	S/A Kit	Check Valve	Cam/Diaph	Motor	Endbell
D3732V1311		DH31V131	20914-002A	21022-022A	2039-001A	20115-181
D3732V5011	2090-100	DH31V501	20914-002A	21022-022A	2039-001A	20115-181
D3735B1411		DH32B141	20914-001A	21022-012A	S2039-115A	20115-181
D3735B7011	2090-120	DH32B701	20914-001A	21006-013A	S2039-108A	20883-205A
D3735E1411		DH32E141	20914-003A	21022-032A	S2039-115A	20115-181
D3735E7011	2090-120	DH32E701	20914-003A	21006-033A	S2039-108A	20883-205A
D3735E7011RL	2090-120	DH32E701	20914-003A	21006-033A		20772-064A
D3735V1411		DH32V141	20914-002A	21022-022A	S2039-115A	20115-181
D7125G1411		DH22B141	20914-001A	21022-040A	2009-097A	20115-229
D7125G6011	2090-121	DH22B601	20914-001A	21006-042A	S2009-092A	20772-051A
D7131G1311		DH31B131	20914-001A	21022-042A	2009-114A	20115-229
D7131G5011	2090-100	DH31B501	20914-001A	21022-042A	2009-114A	20115-229
D7135B7011	2090-120	DH32B701	20914-001A	21006-013A	2009-092A	20772-051A
D7135I7011	2090-120	DH32V701	20914-002A	21006-013A	2009-092A	20772-051A
D7625I1411		DH22V141	20914-002A	21022-010A	2029-114A	20115-210
D7625I6011	2090-121	DH22V601	20914-002A	21006-012A	2009-104A	20772-057A
D7631I1311		DH31V131	20914-002A	21022-012A	2029-000A	20115-229
D7631I5011	2090-100	DH31V501	20914-002A	21022-012A	2029-000A	20115-210
D7635I1311		DH31V131	20914-002A	21022-012A	2029-122A	20115-210
D7635I7011	2090-120	DH32V701	20914-002A	21006-013A	2029-104A	20772-057A
D8625F1411		DH22V141	20914-002A	21022-040A	2029-114A	20115-210
D8625H1411		DH22E141	20914-003A	21022-040A	2009-114A	20115-210
D8631F1311		DH31V131	20914-002A	21022-042A	2029-000A	20115-210
D8631F5011	2090-100	DH31V501	20914-002A	21022-042A	2009-000A	20115-210
D8631H1311		DH31E131	20914-003A	21022-042A	2029-000A	20115-210
D8631H5011	2090-100	DH31E501	20914-003A	21022-042A	2029-000A	20115-210
D8635E7011	2090-120	DH32E701	20914-003A	21006-033A	2029-104A	20772-057A
D8635J7011	2090-120	DH32V701	20914-002A	21006-033A	2029-104A	20772-057A

Model #	Pressure Sw. Kit	Upper Housing S/A Kit	Check Valve	Cam/Diaph	Motor
D05X000	0209-120	—	20914-003A	21022-042A	R2029-131A
D1325J7011	02090-120	—	20914-002A	21008-233A	O2049-032A
D1335E7011	02090-120	—	20914-003A	21006-232A	O2049-032A
D1335J7011	02090-120	—	20914-002A	21006-233A	O2049-032A
D1625E7011	02090-120	—	20914-003A	21006-232A	O2049-032A
D1722F5011RL	02090-100	—	20914-002A	21022-041A	R2039-123A
D1732F5011	02090-100	—	20914-002A	21022-042A	S2039-001A
D1732H1311	—	—	20914-003A	21022-042A	S2039-129A
D1735J7011	02090-120	—	20914-002A	21006-233A	S2039-108A
D17X000RL	02090-100	—	20914-003A	21022-041A	R2039-128A
D2121F5011R	02090-100	—	20914-002A	21022-041A	R2009-114A
D2122F1212	—	—	20914-002A	21022-041A	O2009-115A
D2124F1411R	—	—	20914-002A	21006-042A	O2009-090A
D2124F5011	02090-100	—	20914-002A	21022-041A	O2009-160A
D2125F6011R	02090-121	—	20914-002A	21006-242A	O2009-092A
D2131F1311R	—	—	20914-002A	21022-042A	R2009-114A
D2132F5011R	02090-100	—	20914-002A	21022-042A	R2009-115A
D2132F6011R	02090-121	—	20914-002A	21006-243A	R2009-100A
D2132I5011	02090-100	—	20914-002A	21022-012A	O2009-115A
D2134F1411R	—	—	20914-002A	21006-243A	R2009-090A
D2134F6011R	02090-121	—	20914-002A	21006-243A	R2009-090A
D2135J7011R	02090-120	—	20914-002A	21006-233A	R2009-092A
D21X003	—	—	20914-002A	21022-040A	O2009-147A
D21X005	02090-100	—	20914-002A	21022-042A	O2009-130A
D21X007	—	—	20914-002A	21022-012A	O2009-063A
D21X013	02090-100	—	20914-002A	21022-242A	O2009-159A
D2235B7011	02090-120	—	20914-001A	21006-213A	O2019-045A
D3121B1211R	—	—	20914-001A	21022-011	R2009-114
D312E1211R	—	—	20914-003A	21022-031	R2009-114
D3121E3011R	2090-117	—	20914-003A	21022-031	R2009-114
D3121V1211R	—	—	20914-002A	21022-021	R2009-114
D3121V1215	—	—	20914-102A	21022-121	O2009-114
D3121V1311	—	—	20914-002A	21022-021	O2009-114
D3121V3011R	2090-117	—	20914-002A	21022-021	R2009-114
D3131B1311R	—	—	20914-001A	21022-022	R2009-114
D3131B5011R	2090-100	—	20914-001A	21022-022	R2009-114
D3131E1311R	—	—	20914-003A	21022-022	R2009-114
D3131E5011R	2090-100	—	20914-003A	21022-032	R2009-114
D3131V1311R	—	—	20914-003A	21022-032	R2009-114
D3131V5011R	2090-100	—	20914-002A	21022-022	R2009-114
D3135B7011R	2090-120	—	20914-001A	21006-213	R2009-092
D3135E1411R	—	—	20914-003A	21006-233	R2009-092
D3135E7011R	2090-120	—	20914-003A	21006-233	R2009-092
D31X014F	—	—	20914-102A	21006-122	O2009-015
D31X015F	—	—	20914-101A	21022-112	O2009-015
D3221B1211R	—	—	20914-001A	21022-011	R2019-057
D3221B3011R	2090-117	—	20914-001A	21022-011	R2019-057
D3221E3011R	2090-117	—	20914-003A	21022-031	R2019-057
D3221V1211	—	—	20914-002A	21022-021	O2019-057
D3221V1211R	—	—	20914-002A	21022-021	R2019-057
D3225H1411	—	—	20914-003A	21006-242	O2019-045
D3231B5011	2090-100	—	20914-001A	21022-012	O2019-057

Model #	Pressure Sw. Kit	Upper Housing S/A Kit	Check Valve	Cam/Diaph	Motor
D3231E5011R	2090-100	-	20914-003A	21022-032	R2019-057
D3231F5011	2090-100	-	20914-002A	21022-042	O2019-057
D3235E7011R	2090-120	-	20914-003A	21006-233	O2019-045
D3621E1212	-	-	20914-003A	21022-031	O2029-000
D3631V5012	02090-100	-	20914-002A	21022-022	O2029-000
D36X001A	02090-103	-	20914-002A	21022-042	O2029-144
D3722B1211RL	-	-	20914-001A	21022-011	R2039-129
D3722B3011RL	02090-117	-	20914-001A	21022-011	R2039-128
D3722E1211RL	-	-	20914-003A	21022-031	R2039-129
D3722V3011RL	02090-117	-	20914-002A	21022-021	R2039-128
D3722V5011	02090-100	-	20914-002A	21022-021	R2039-001
D3732B1311RL	-	-	20914-001A	21022-012	R2039-129
D3732B5011RL	02090-XXX	-	20914-001A	21022-012	R2039-128
D3732E5011RL	02090-100	-	20914-003A	21022-032	R2039-128
D3732V1311RL	-	-	20914-002A	21022-022	R2039-129
D3732V5011RL	02090-100	-	20914-002A	21022-022	R2039-128
D3735B1411RL	-	-	20914-001A	21006-213	R2039-116
D3735B7011RL	02090-120	-	20914-001A	21006-213	R2039-117
D3735E7011RL	02090-120	-	20914-003A	21006-233	R2039-117
D3822H5011RL	02090-100	-	20914-003A	21022-041	O2029-124
D3835B1411	-	-	20914-001A	21006-213	O2029-135
D3835B5011	02090-100	-	20914-001A	21022-012	O2029-126
D3835B7011	02090-120	-	20914-001A	21006-213	O2029-134
D3835E7011	02090-120	-	20914-003A	21006-233	O2029-134
D3835H1411	-	-	20914-003A	21006-243	O2029-135
D3835H5011	02090-100	-	20914-003A	21022-042	O2029-126
D3835V1311	-	-	20914-002A	21022-022	O2029-133
D3835V5011	02090-100	-	20914-002A	21022-022	O2029-126
D3935E7011	02090-120	-	20914-003A	21006-233	S2039-135
D3935H5011	02090-100	-	20914-003A	21022-042	O2039-134
D7125G1411R	-	-	20914-001A	21006-242	R2009-092
D7125G6011R	02090-121	-	20914-003A	21006-242	R2009-092
D7131G1311R	-	-	20914-001A	21022-042	R2009-114
D7131G5011R	02090-100	-	20914-001A	21022-042	R2009-114
D7134E3011	02090-117	-	20914-003A	21022-032	O2009-152
D7135I7011R	02090-120	-	20914-002A	21006-213	O2009-092
D71X000	-	-	20914-001A	21006-313	O2009-138
D71X000R	-	-	20914-001A	21006-313	R2009-138
D71X001	-	-	20914-001A	21006-313	O2009-138
D71X004	-	-	20914-002A	21022-011	O2009-145
D7225G1411	-	-	20914-001A	21006-242	O2019-045
D7225G1411R	-	-	20914-001A	21006-242	R2019-045
D7231B5011	02090-100	-	20914-001A	21022-012	O2019-057
D7231B5011R	02090-100	-	20914-001A	21022-012	R2019-057
D8635J7011	02090-120	-	20914-002A	21006-233	O2029-104

www.flojet.com



USA

Jabsco
Cape Ann Industrial Park
1 Kondelin Road
Gloucester, MA 01930
Tel: +1 976 281 0440
Fax: +1 976 283 2619

UK

Jabsco
Bingley Road, Hoddesdon
Hertfordshire EN 11 0BU
Tel: +44 1992 450145
Fax: +44 1992 467132

CANADA

Fluid Products Canada
55 Royal Road
Guelph, Ontario N1H 1T1
Tel: +1 519 821 1900
Fax: +1 519 821 5316

JAPAN

NHK Jabsco Co Ltd.
3-21-10, Shin-Yokohama
Kohoku-ku
Yokohama 222-0033
Tel: +81 045 475 8906
Fax: +81 045 477 1162

GERMANY

Jabsco GmbH
OststraBe 28
22844 Norderstedt
Tel: +49 40 5353 730
Fax: +49 40 5353 7311

ITALY

Jabsco Marine Italia
Via Tommaseo, 6
20059 Vimercate, Milano
Tel: +39 039 685 2323
Fax: +39 039 666 307