



# ITT

BJS+

## Residential Water Systems

# Goulds Pumps

JS+ Shallow Well Jet Pumps  
1/2, 3/4, 1 and 1 1/2 HP  
J5S, J5SH, J7S, J10S, J15S



## FEATURES

- **Compact:** Design has an integral shallow well adapter built into the casing, which eliminates the need for a separate shallow well adapter.
- **Serviceable:**
  - Back pullout design allows disassembly of pump for service without disturbing piping.
  - Two compartment motor for easy access to motor wiring and replaceable components.
  - Nozzle clean out plug in pump case.
  - Corrosion resistant, engineered plastic tubing and fittings are easily removed for cleaning. Premium O-ring design fittings need only be hand tight to seal.
- **Impeller:** F.D.A. compliant, glass filled Noryl® is corrosion and abrasion resistant.
- **Diffuser (Guidevane):** Bolt down diffuser provides positive alignment with impeller. Diffuser has stainless wear ring for extended performance in abrasive conditions. F.D.A. compliant, injection molded, food grade, glass filled Lexan® for durability and abrasion resistance.
- **Tubing and Fittings:** F.D.A. compliant engineered plastic is corrosion and U.V. resistant.
- **Powered for Continuous Operation:** Pump ratings are within the motor manufacturer's recommended working limits. Can be operated continuously without damage.
- **Corrosion Resistant:** Electro-coat paint process is applied inside and out, then baked on.
- **Protected Mechanical Seal:** Special diaphragm design retains water in the casing at all times to ensure the mechanical seal can never run dry.
- **Excellent Air Handling Ability:** After initial priming the pump has the ability to re-prime itself even when air gets into the system. Pumping resumes once the water level rises above the foot valve.



Goulds Pumps is a brand of ITT Corporation.

[www.goulds.com](http://www.goulds.com)

*Engineered for life*



# ITT

## GOULDS PUMPS Residential Water Systems

### APPLICATIONS

Specifically designed for:

- Homes
- Cottages
- Booster service

### SPECIFICATIONS

#### Pump:

- Pipe connections:  
1 1/4" NPT suction  
1" NPT discharge.
- Pressure switch:  
AS4 preset (30-50 PSI).

#### Motor:

- NEMA standard.
- 60 Hz.
- 1/2 – 1 1/2 HP, 115/230 V capacitor start.
- Single phase.
- 3500 RPM.
- Built-in overload with automatic reset.
- Stainless steel shaft.
- Rotation: clockwise when viewed from motor end.
- UL778 listed.

Maximum temperature: 140°F.

### SYSTEM COMPONENTS

■ **Basic Pump Unit:** Includes pump with integral shallow well jet (nozzle and venturi), motor, pressure switch and tubing.

### AGENCY LISTINGS

 Canadian Standards Association

 Underwriters Laboratories<sup>®</sup>

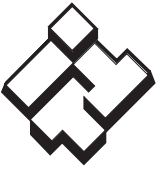
Goolds Pumps is ISO 9001 Registered.

### MODEL INFORMATION

CSA Listed Order No.	U.L. Listed (Indoor use) <sup>①</sup> Order No.	HP
J5S	J5SUL	1/2
J5SH	J5SHUL	1/2
J7S	J7SUL	3/4
J10S	J10SUL	1
J15S	J15SUL	1 1/2

### SHALLOW WELL PERFORMANCE RATINGS

HP/Model	1/2 HP – J5S					1/2 HP – J5SH					3/4 HP – J7S					1 HP – J10S					1 1/2 HP – J15S					
Nozzle	AN017					AN019					AN018					AN018					AN022					
Venturi	AD3332					AD3328					AD3336					AD3339					AD3342					
Total Suction Lift (feet)	Discharge Pressure – PSI					Discharge Pressure – PSI					Discharge Pressure – PSI					Discharge Pressure – PSI					Discharge Pressure – PSI					
	20	30	40	50	Max. Shut off (PSI)	20	30	40	50	60	Max. Shut off (PSI)	30	40	50	60	Max. Shut off (PSI)	30	40	50	60	Max. Shut off (PSI)	30	40	50	60	Max. Shut off (PSI)
	Gallons per minute					Gallons per minute					Gallons per minute					Gallons per minute					Gallons per minute					
5	17.5	16.5	10.2	5.0	63	11.5	11.3	11.0	7.7	4.8	83	21.3	18.3	12.5	6.6	70	24.8	24.4	16.6	9.9	74	26.6	26.3	25.0	15.6	80
10	15.7	14.4	9.2	4.3	61	10.3	10.0	9.6	7.0	4.2	81	18.8	17.3	11.3	5.0	68	22.9	22.2	15.8	8.6	72	24.7	24.3	22.6	13.9	77
15	13.7	12.5	8.0	3.6	59	8.8	8.6	8.3	6.3	3.7	79	16.4	15.5	9.6	3.7	66	19.8	19.5	13.8	6.9	70	21.6	21.5	20.4	12.9	75
20	11.5	10.4	7.1	2.3	57	7.0	7.0	6.8	5.8	3.2	76	13.6	13.2	8.3	2.0	63	16.6	16.6	12.2	5.6	67	18.1	18.0	17.6	12.0	73
25	8.7	8.6	6.2	1.3	54	5.3	5.2	5.2	5.0	2.8	73	10.0	9.9	6.4	1.0	59	12.5	12.4	10.4	3.6	65	14.0	14.0	14.0	10.1	71

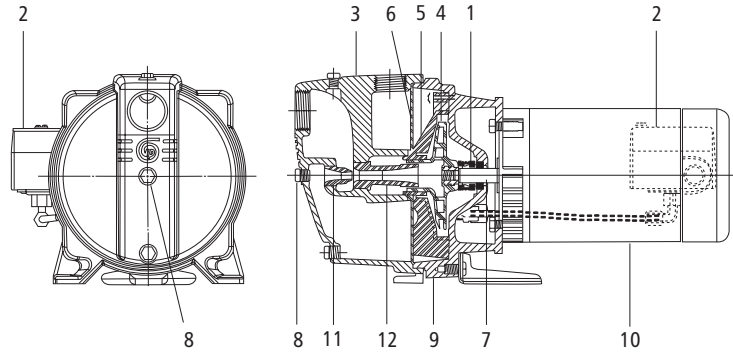


# ITT

## GOULDS PUMPS Residential Water Systems

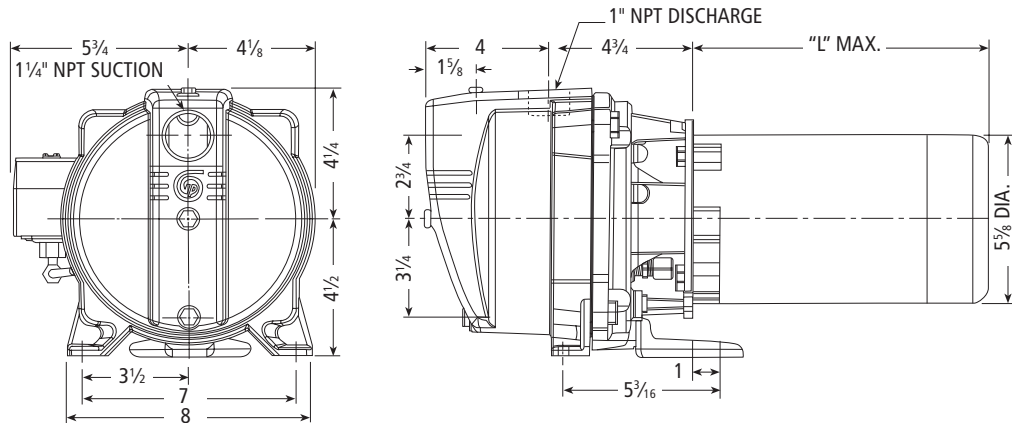
### COMPONENTS

Item No.	Description
1	Mechanical seal
2	Pressure switch
3	Casing
4	Impeller
5	Diffuser (Guidevane)
6	Diaphragm
7	Stainless steel shaft
8	Nozzle clean-out plug
9	Motor adapter
10	Motor
11	Nozzle
12	Venturi (diffuser)

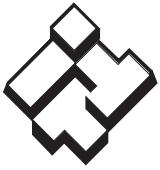


### DIMENSIONS AND WEIGHTS

Model	J5S	J5SH	J7S	J10S	J15S
Wt. (lbs.)	43	43	47	50	60
Length	17 $\frac{1}{4}$	17 $\frac{1}{4}$	18 $\frac{1}{4}$	18 $\frac{3}{4}$	19 $\frac{1}{4}$
Width	9 $\frac{7}{8}$				
Height	8 $\frac{3}{4}$				
HP	$\frac{1}{2}$	$\frac{1}{2}$	$\frac{3}{4}$	1	1 $\frac{1}{2}$
"L" Max.	8 $\frac{1}{2}$	8 $\frac{1}{2}$	9 $\frac{1}{2}$	10	10 $\frac{1}{2}$



(All dimensions are in inches and weights in lbs. Do not use for construction purposes.)



**ITT**

## Residential Water Systems



Goulds Pumps and the ITT Engineered Blocks Symbol are registered trademarks and tradenames of ITT Corporation.

Noryl® and Lexan® are trademarks of GE Plastic.

SPECIFICATIONS ARE SUBJECT TO CHANGE WITHOUT NOTICE.

**BJS+ June, 2008**

© 2008 ITT Corporation

*Engineered for life*



# ITT

RJETPARTS

Residential Water Systems

## Goulds Pumps

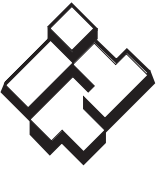
### JET PUMP REPAIR PARTS



Goulds Pumps is a brand of ITT Corporation.

[www.goulds.com](http://www.goulds.com)

*Engineered for life*



# ITT

**GOULDS PUMPS**  
Residential Water Systems

## Index

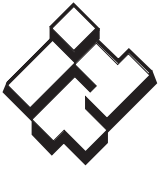
---

### **JETS**

---

JRS.....	3
JRD.....	4
JRSG.....	moved to obsolete book
J+ and JS+.....	5
JB.....	moved to obsolete book
HSJ.....	6
VJ.....	7
SJ.....	8
GT Irri-Gator™.....	9
BF03S.....	10

The 10K2 has been replaced in production and as a repair part by the 10K10. The 10K10, John Crane Type 6, is a superior seal with a carbon rotary face, a ceramic stationary seat and BUNA N elastomers.

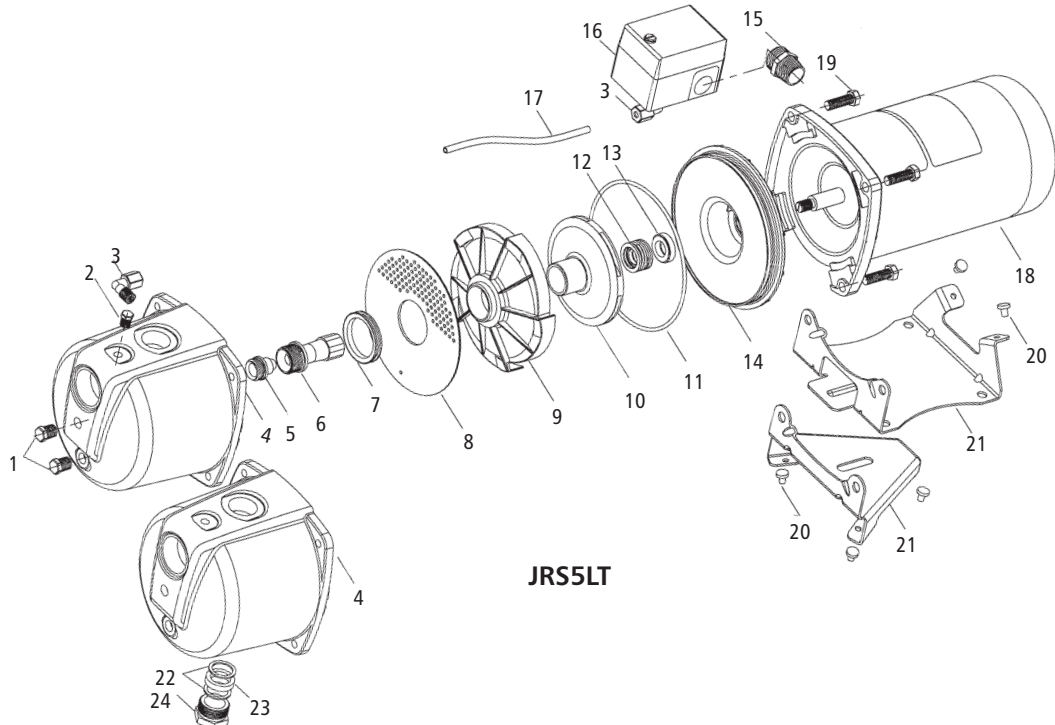


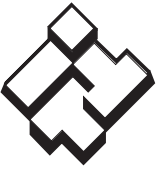
# ITT

## GOULDS PUMPS Residential Water Systems

### MODEL JRS

Item No.	Part Description	Material	Repair Part No.				
			JRS5	JRS5H	JRS5LT	JRS7	JRS10
1	Drain plug 1/4" NPT	Steel	6K2				
2	Vent plug 1/8" NPT	Steel	6K1				
3	Elbow connector – tubing	Polypropylene	6K94				
4	Casing	Cast iron	1K342		1K382	1K342	
5	Nozzle	Delrin®	AN018	AN020	AN018		
6	Venturi tube	Lexan®	AD3330	AD3325	AD3330	AD3336	AD3339
7	Separator plate seal ring	BUNA-N	5K323				
8	Separator plate	Polypropylene	5K253				
9	Diffuser (guidevane)	Lexan®	3K64			3K65	
10	Impeller	Noryl®	2K900		2K901 2K902		
11	O-ring	BUNA	5K230				
12	Mechanical seal – Rotary	Teepelite	10K10				
13	Mechanical seal – Stationary	Ceramic					
14	Seal housing	Amodel®	1K325				
15	Connector with locknut	Steel	6K24				
16	Pressure switch	NA	AS4FX				
17	Tubing – pressure switch	Polypropylene	6K92			6K101	6K108
18	Motor	Stainless steel shaft	SFJ04860			SFJ05860	SFJ06860
19	Hex cap screw	Steel	13K80				
20	Grommet – base	BUNA	4K405				
21	Base – JRS5, JRS7, JRS10 (off tank)	Steel	4K399		4K449		4K399
	Tank base – JRS5LT (on tank model)						
22	Discharge gland washers (pkg 2)	N-8090	–		5K10		–
23	Discharge gland packing	BUNA	–		5K8		–
24	Dis. gland nut assembly (includes 22 & 23)	Brass	–		4K12		–





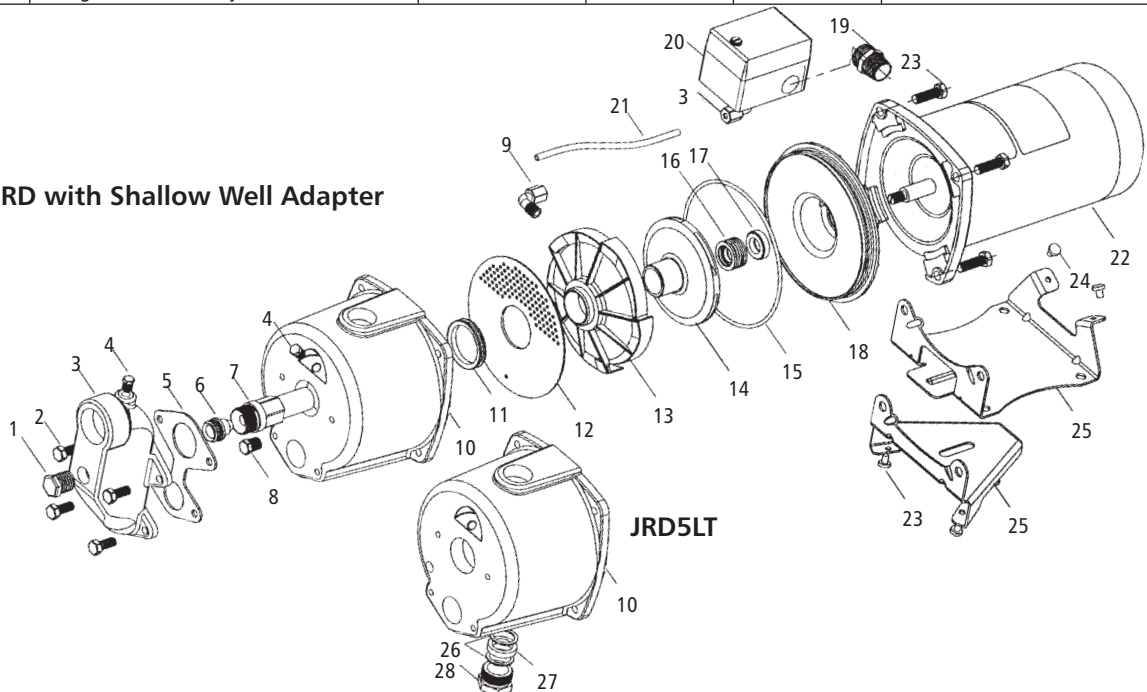
# ITT

## GOULDS PUMPS Residential Water Systems

### MODEL JRD

Item No.	Part Description	Material	Repair Part No.			
			JRD5	JRD5LT	JRD7	JRD10
1	Pipe plug 1/2" NPT	Steel	6K68			
2	Hex cap screw	Steel	13K1			
3	Shallow well adapter	Cast iron	4K62			
4	Pipe plug 1/8" NPT	Steel	6K1			
5	Gasket	BUNA – FDA/NSF	5K108			
6	Nozzle	Delrin®	AN018			
7	Venturi tube	Lexan®	AD3731		AD3536	AD3538
8	Drain plug 1/4" NPT	Steel	6K2			
9	Elbow connector – tubing	Polypropylene	6K94			
10	Casing	Cast iron	1K416	1K417	1K416	
11	Separator plate seal ring	BUNA	5K323			
12	Separator plate	Polypropylene	5K253			
13	Diffuser (guide vane)	Lexan®	3K64		3K65	
14	Impeller	Noryl®	2K900		2K901	2K902
15	O-ring	BUNA	5K230			
16	Mechanical seal – rotary	Teeplelite	10K10			
17	Mechanical seal – stationary	Ceramic				
18	Seal housing	Amodel®	1K325			
19	Connector w/locknut	Steel	6K24			
20	Pressure switch	NA	AS4FX			
21	Tubing – pressure switch	Polypropylene	6K92		6K101	6K108
22	Motor	Stainless steel shaft	SFJ04860		SFJ05860	SFJ06860
23	Hex cap screw	Steel	13K80			
24	Grommet – base	BUNA	4K405			
25	Base – JRD5, JRD7, JRD10 (off tank)	Steel	4K399	4K449	4K399	
	Tank base – JRD5LT (on tank)					
26	Discharge gland washers (pkg 2)	N-8090	–	5K10	–	
27	Discharge gland packing	BUNA	–	5K8	–	
28	Dis. gland nut assembly (includes 26 & 27)	Brass	–	4K12	–	

JRD with Shallow Well Adapter





# ITT

## GOULDS PUMPS Residential Water Systems

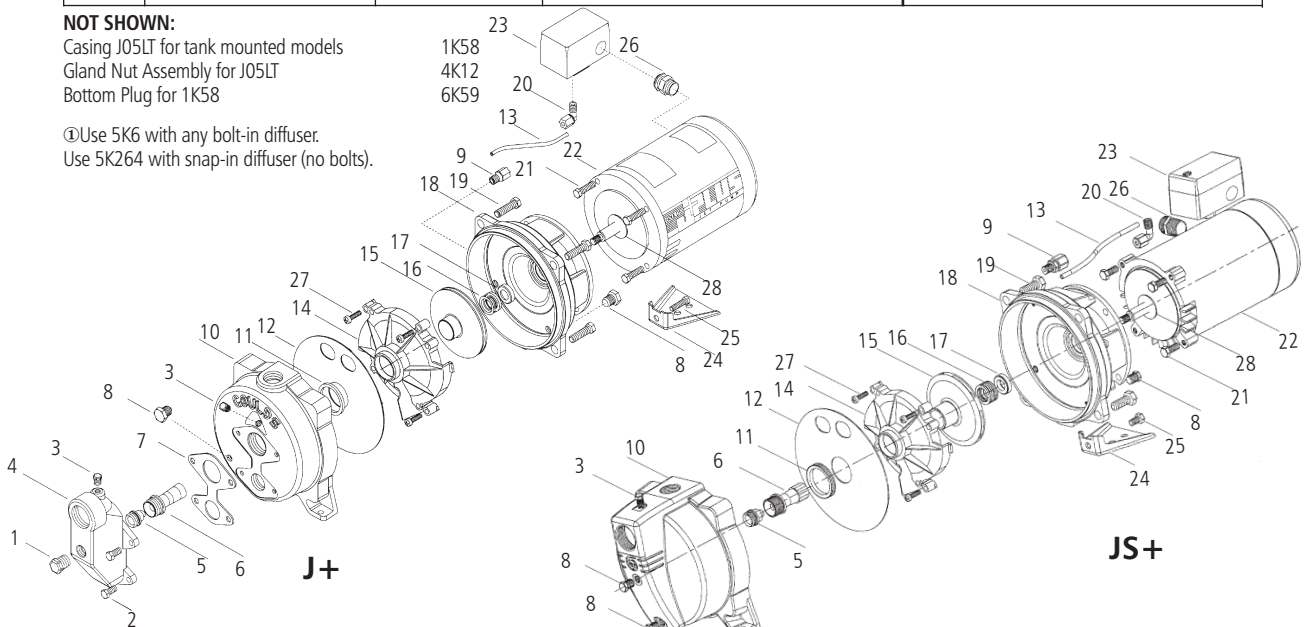
### MODEL J+ and JS+

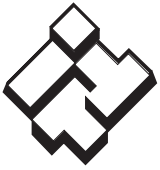
Item No.	Part Description	Material	J+ Series Repair Part No.					JS+ Series Repair Part No.				
			J5	J5H	J7	J10	J15	J5S	J5SH	J7S	J10S	J15S
1	Pipe plug – 1/2" NPT	Steel, plated	6K68					–				
2	Hex cap screw	Steel	13K1					–				
3	Pipe plug – 1/8" NPT	Steel, plated	6K1					6K1				
4	Shallow well adapter	Cast iron	4K62					–				
5	Nozzle	Delrin®	AN017	AN019	AN018		AN022	AN017	AN019	AN018		AN022
6	Venturi tube	Lexan® on model JS+ Durez® on model J+	AD3731	AD3528	AD3536	AD3538	AD3542	AD3332	AD3328	AD3336	AD3339	AD3342
7	Gasket	BUNA - FDA/NSF	5K108					–				
8	Drain plug – 1/4" NPT	Steel, plated	6K2					6K2				
9	Straight connector	Polypropylene	6K100					6K100				
10	Casing	Cast iron	1K311 (59395)					1K333 (59240)				
11	Seal ring	BUNA - FDA/NSF	5K6 or 5K231 ①					5K6 or 5K231 ①				
12	Diaphragm	BUNA - FDA/NSF	5K162					5K162				
13	Tubing	Polypropylene	6K92	6K93	6K101	6K102	6K92	6K93	6K101	6K102		
14	Diffuser (guidevane)	Lexan® 10% G.F.	3K75	3K67		3K68	3K75	3K67		3K68		
15	Impeller	Noryl® 20% G.F.	2K4	2K60	2K61	2K706	2K4	2K60	2K61	2K706		
16	Mechanical seal, rotary	Teeplelite	10K10					10K10				
17	Mechanical seal, stationary	Ceramic										
18	Motor adapter	Cast iron	1K310 (59394)					1K310 (59394)				
19	Casing bolts	Steel	13K102					13K102				
20	Elbow connector	Polypropylene	6K94					6K94				
21	Motor adapter bolts	Steel	13K69					13K69				
22	Motor	Stainless steel shaft	J04853L	J05853L	J06853L	J07858L	J04853L	J05853L	J06853L	J07858L		
23	Pressure switch	NA	AS3FX	AS4FX			AS3FX	AS4FX				
24	Pump foot	Steel	4K408					4K408				
25	Pump foot bolt	Steel	13K252					13K252				
26	Switch con. with locknut	Steel	6K24					6K24				
27	Fillister head machine screw	Stainless steel	13K4					13K4				
28	Deflector	BUNA	5K7					5K7				

**NOT SHOWN:**

Casing J05LT for tank mounted models  
Gland Nut Assembly for J05LT  
Bottom Plug for 1K58

①Use 5K6 with any bolt-in diffuser.  
Use 5K264 with snap-in diffuser (no bolts).

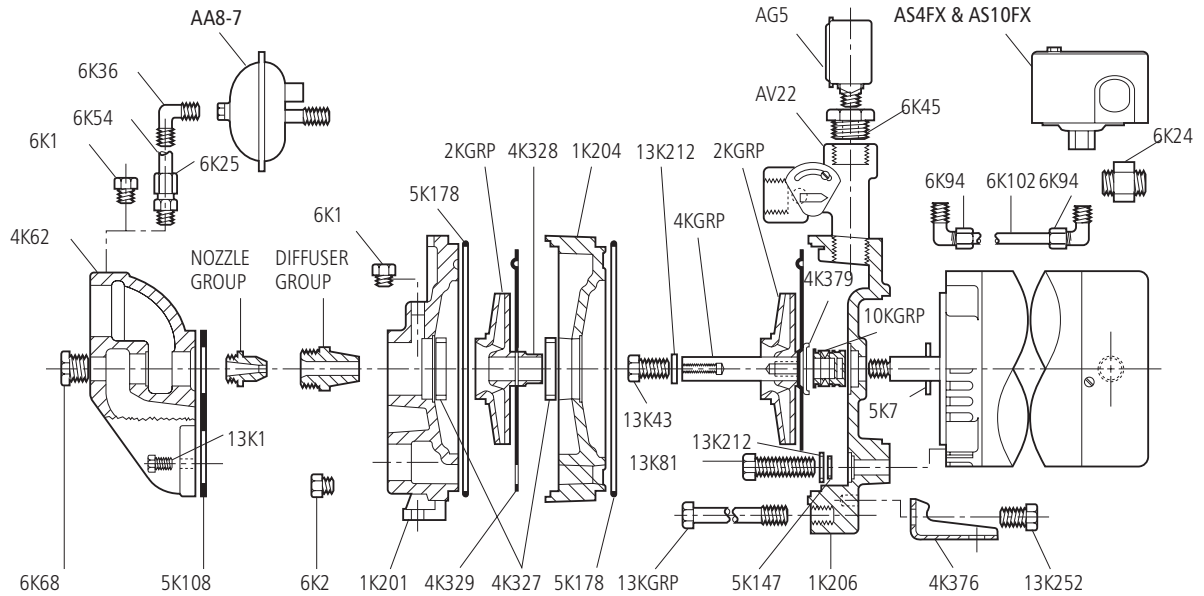




# ITT

## GOULDS PUMPS Residential Water Systems

### MODEL HSJ



Part No.	Part Name	Pattern No.
① 1K201	Casing (4 bolt S.W.A.)	59160
1K204	Intermediate stage	59157
1K206	Motor adapter	59156
2K289	Impeller – ¾ and 1½ HP HSJ models	
2K290	Impeller – 1 and 2 HP HSJ models	
4K62	Adapter – shallow well (4 bolt)	
4K308	Foot - old style (cast)	
4K327	Wear ring	
4K328	Sleeve	55548
4K329	Coverplate – 1 per stage	
② 4K331	Shaft extension – 2 stage, ¾ and 1 HP	
② 4K332	Shaft extension – 3 stage, 1½ and 2 HP	
4K376	Foot - new style (stamped)	
4K379	Retainer – shaft sleeve assembly	
5K7	Deflector	
5K147	O-ring – motor adapter bolts	
5K108	Gasket – S.W. adapter (4 bolt)	
5K178	O-ring – casing and intermediate stage	
6K1	Pipe plug ⅛" NPT	
6K2	Pipe plug ¼" NPT	
6K24	Switch connector with nut	
6K25	Comp. fitting ⅛" NPT x ¼" tubing	
6K36	Comp. fitting elbow ⅛" NPT x ¼" tubing	
6K45	Reducing bushing ¼" x 1" NPT	
6K68	Pipe plug ½" NPT	
6K94	Elbow fitting (tubing)	
6K102	Tubing	
10K10	Shaft seal assembly	
13K43	Impeller bolt	
13K71	Bolt – foot to adapter (old foot)	
13K81	Bolt – adapter to motor	
13K1	Bolt – S.W. adapter (4 bolt)	
13K212	Washer – impeller and adapter	
13K213	Bolt – casing to adapter, 2 stage models	
13K214	Bolt – casing to adapter, 3 stage models	
13K252	Bolt – foot to adapter	

Part No.	Part Name	Pattern No.
AG2	Pressure gauge – 200 PSI maximum	
AG5	Pressure gauge – 100 PSI maximum	
AS4FX	Pressure switch – ¾, 1, 1½ HP rated	
AS10FX	Pressure switch – 2 HP rated	
AV22	Pressure control valve	
AA8-7	Air volume control valve – used with galvanized tanks	

#### MOTOR CODES

HP	Model	Order No.
¾	HSJ07N, 2 stage	J05853
1	HSJ10N, 2 stage	J06853
1½	HSJ15N, 3 stage	J07858
2	HSJ20N, 3 stage	J08854

#### SHALLOW WELL FITTINGS PACKAGES

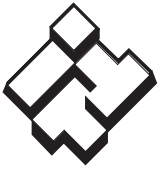
HP	Model	Nozzle Group	Diffuser Group
¾	HSJ07N	AN012	AD3432
1	HSJ10N	AN012	AD3437
1½	HSJ15N	AN012	AD3439
2	HSJ20N	AN012	AD3448

#### 2 BOLT SHALLOW WELL ADAPTER – OBSOLETE (NOT AVAILABLE)

4K312	Adapter – shallow well (2 bolt)
5K173	Gasket – shallow well adapter (2 bolt)
13K1	Bolt – shallow well adapter (2 bolt)

① Casing for 2 bolt shallow well adapter not available. Order 1K261 kit which includes pump casing, 4 bolt adapter, gasket and bolts.

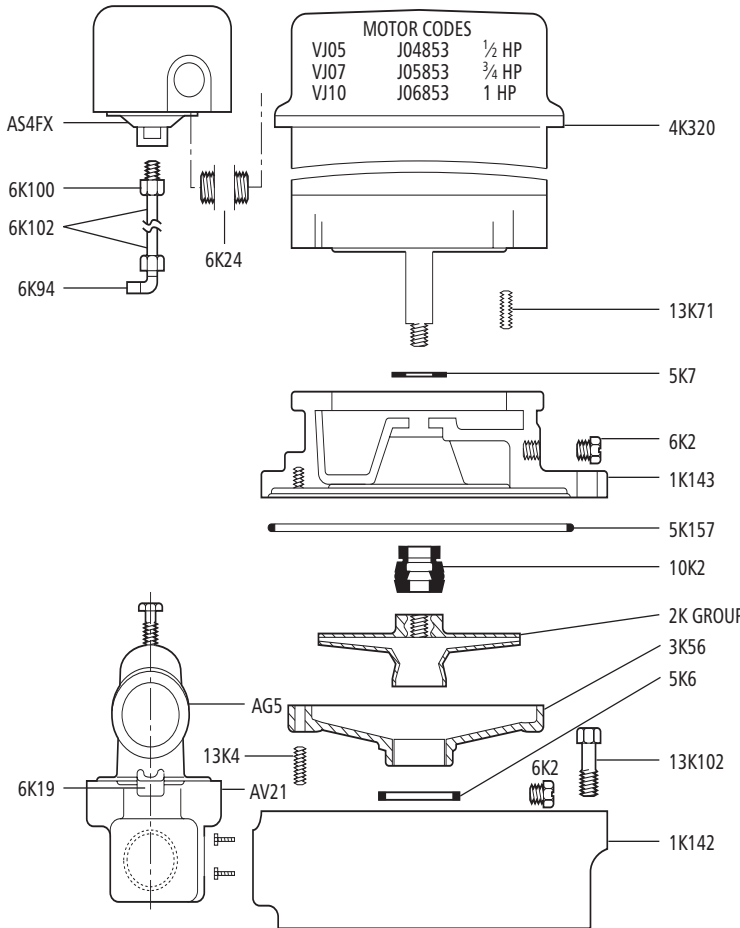
② Includes 4K379, 13K43 and 13K212.



# ITT

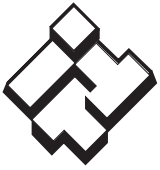
## GOULDS PUMPS Residential Water Systems

### MODEL VJ



Part No.	Part Name	Pattern No.
1K142	Casing	59202
1K143	Motor adapter	59014
2K61	Impeller 3/4 and 1 HP	2K GROUP
2K204	Impeller 1/2 HP	
3K56	Guidevane – 1/2, 3/4, 1 HP	
4K230	Drip cover – 48FR (A.O. Smith motor)	
5K6	Seal ring – guidevane	
5K7	Deflector	
5K157	O-ring	
6K2	Plug 1/4 NPT	
6K19	Reducing bushing 3/4" x 1/4" (for AG5)	
6K24	Switch connector with nut	
6K94	Elbow fitting (tubing)	
6K100	Straight fitting (tubing)	
6K102	Tubing	
10K10	Shaft seal assembly	
13K4	Screw – guidevane	
13K71	Bolt – motor adapter to motor	
13K102	Bolt – casing to motor adapter	
AG5	Pressure gauge	
AS4FX	Pressure switch	
AV21	Pressure control valve	54382





# ITT

**GOULDS PUMPS**  
Residential Water Systems

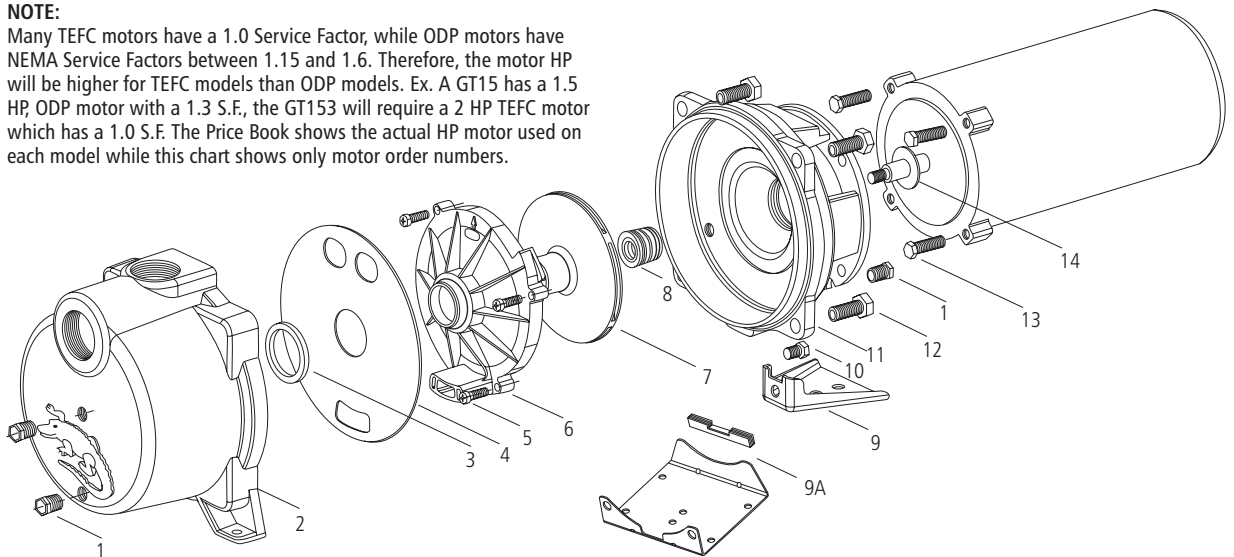
## MODEL GT IRRI-GATOR

Item No.	Description	Material	Part No.				
			GT07/ GT073	GT10/ GT103	GT15/ GT153	GT20/ GT203	GT30/ GT303
1	¼" NPT Pipe Plug	Plated Steel	6K2				
2	Casing	Cast Iron	1K324				
3	Guidevane Seal Ring	BUNA	5K6				
4	Diaphragm	Neoprene	5K256				
5	Fillister Head Machine Screw	Stainless Steel	13K4	13K4	13K2	13K2	13K2
6	Guidevane	Lexan® 10% G.F.	3K72	3K71	3K70	3K70	3K69
7	Impeller	Noryl® 20% G.F.	2K715	2K716	2K714	2K713	2K712
8	Mechanical Seal	Carbon/Ceramic/BUNA	10K10				
9	Pump Foot (old style)	Steel	4K408				
9A	Pump Base Assembly with Rubber Channel <b>Replaces foot 4K408</b>		15K60				
10	Pump Foot Bolt <b>use with 4K408 only</b>	Steel	13K252				
11	Motor Adapter	Cast Iron	1K310				
12	Casing Bolt	Steel	13K102 (4 required)				
13	Motor Adapter Bolt	Steel	13K69				
14	Deflector	BUNA	5K7				

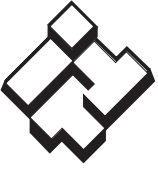
HP	Motor Codes			
	1Ø – ODP	3Ø – ODP	1Ø – TEFC	3Ø – TEFC
.75	J05853R	C05873	C06821	C06876
1.0	J06853R	C06873	C07821	C07876
1.5	J07858R	C07878	C08821	C08876
2.0	J08854R	C08874	C09821	C09876
3.0	J09853	C09874	C09821	C09876

**NOTE:**

Many TEFC motors have a 1.0 Service Factor, while ODP motors have NEMA Service Factors between 1.15 and 1.6. Therefore, the motor HP will be higher for TEFC models than ODP models. Ex. A GT15 has a 1.5 HP, ODP motor with a 1.3 S.F., the GT153 will require a 2 HP TEFC motor which has a 1.0 S.F. The Price Book shows the actual HP motor used on each model while this chart shows only motor order numbers.





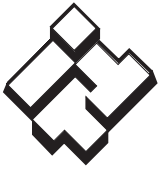


**ITT**

**GOULDS PUMPS**  
Residential Water Systems

**NOTES**

---



**ITT**

**Residential Water Systems**



Goulds Pumps, Irri-gator and the ITT Engineered Blocks Symbol are registered trademarks and tradenames of ITT Corporation.

Noryl and Lexan are registered trademarks of GE Plastic. Amodel is a registered trademark of Solvay. Delrin is a registered trademark of DuPont. Durez is a registered trademark of Durez Corporation, a division of Sumitomo Bakelite Company, Ltd.

SPECIFICATIONS ARE SUBJECT TO CHANGE WITHOUT NOTICE.

**RJETPARTS November, 2008**

Copyright (c) 2008 ITT Corporation

*Engineered for life*