

SE, SEF, ASE and ASEF Series Strainers

Installation, Operation, and Maintenance

General Installation: Locate the strainer in a vertical orientation between the inlet seacock and the engine raw water pump in a location that will allow routing maintenance. Leave at least 12" above the top of the strainer for removal of the filter basket for cleaning.

SE Series Installation: Proper support is essential; install SE-4000 with a minimum of four (4) 3/4" diameter bolts through the mount pad on the strainer head and on the strainer base. Use the mount pads on both side of the strainer if possible.

SEF Series Installation: SEF strainers are for flanged connection to the plumbing system. Use Ring Gaskets (not provided) to seal each flange. If the bronze strainer is to be fastened to a mating flange of a dissimilar material, use the isolation washers provided (2 in each flange hole) to separate the dissimilar metals. The use of the next smaller bolt diameter will be required.

Bonding: The strainer must be connected to the vessel bonding system. This is most easily done with 14-gauge (or larger) stranded copper wire and a ring connector beneath one of the tie rods that hold the strainer together.

Warning: Motorized equipment is to have a separate connection to the vessel AC grounding bus in accordance with ABYC, E-11, Figure-18. DO NOT make the strainer bonding connection in series with motorized equipment. It is permissible to make the bonding connection in series with non-motorized equipment such as seacocks or thru-hull fittings.

Maintenance: Unscrew the strainer cap, and remove and clean the filter basket at least weekly. Inspect the cap o-ring at this time. Replace the cap and screw down securely.

Plumbing: As with any plumbing system, the components will function with greater efficiency when restrictions are kept to a minimum. When planning the plumbing for SE Series Strainers assure that 90-degree bends are utilized only when necessary and that hoses and fittings have as large and ID as possible.

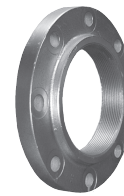
SE-4000 has NPT threaded ports for use with GROCO PTH-4000 (straight) or PTHC-4000 (90-degree) pipe-to-hose adaptors.

SEF strainers have standard pipe flanges to be coupled to flanged connecting plumbing.

F Series Flange Adaptors are offered if your installation requires adapting a flanged plumbing system to an NPT threaded strainer, or adapting a flanged strainer to an NPT threaded plumbing system. They are threaded NPT on one side (for pipe or for GROCO PTH or PTHC pipe to hose adaptors) and are flanged on the other. A ring gasket is included.

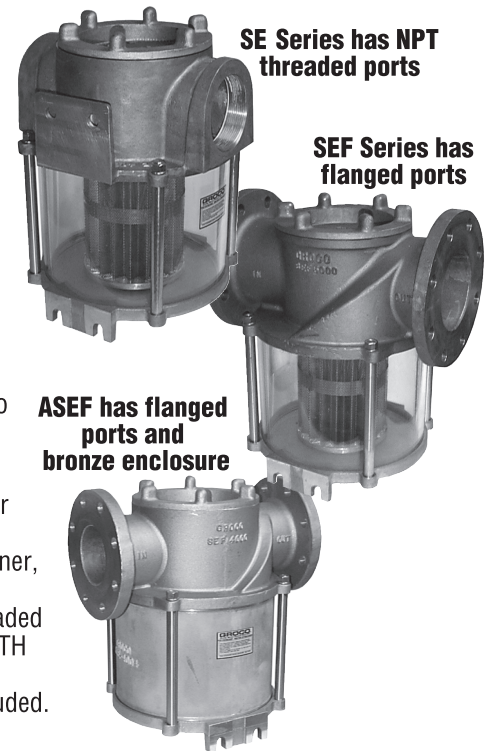


PTHC-4000



PTH-4000

F-4000,
F-5000 or
F-6000

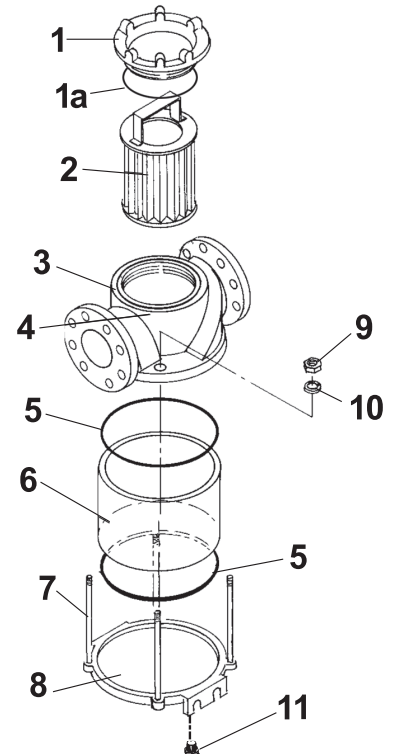


SE Series has NPT threaded ports

SEF Series has flanged ports

ASEF has flanged ports and bronze enclosure

Self-Cleaning Operation: For Self-Cleaning operation SE and SEF series strainers may be converted to HSE (Hydromatic). Items #2 and #8 (refer to the exploded view drawing on the next page) are replaced by HSE Conversion. A 10-amp 115VAC (5 amp @230VAC) single phase circuit is required. For more information contact GROCO Hydromatic Technical Service department.



Item	Description	Qty	SE-4000	SEF-4000	SEF-5000	SEF-6000
1	Cap	1	SE-4001-A	SE-4001-A	SE-4001-A	SE-4001-A
• 1a	O-Ring	1	2-438	2-438	2-438	2-438
2	Basket, .077" Holes	1	SSE-4003-1	SSE-4003-1	SSE-4003-1	SSE-4003-1
	Basket, .125" Holes	1	SSE-4003-2	SSE-4003-2	SSE-4003-2	SSE-4003-2
	Basket, .188" Holes	1	SSE-4003-3	SSE-4003-3	SSE-4003-3	SSE-4003-3
• 3	O-Ring	1	2-371	2-371	2-371	2-371
4	Head Casting	1	SE-4000-H	SEF-4000-H	SEF-5000-H	SEF-6000-H
• 5	O-Ring	2	2-452	2-452	2-452	2-452
6	Sight Glass, Lucite	1	SE-4004	SE-4004	SE-4004	SE-4004
	Enclosure, bronze	1	ASE-4004	ASE-4004	ASE-4004	ASE-4004
7	Shoulder Bolts	4	SE-4005	SE-4005	SE-4005	SE-4005
8	End Cap	1	SE-4002	SE-4002	SE-4002	SE-4002
9	Hex Nut	4	1213HS	1213HS	1213HS	1213HS
10	Lockwasher	4	12SS	12SS	12SS	12SS
11	Drain Plug	1	1418HB	1418HB	1418HB	1418HB
NS	Isolation Washer	32	--	PFW-25	PFW-25	PFW-25
•	Service Kit		SE	SE	SE	SE