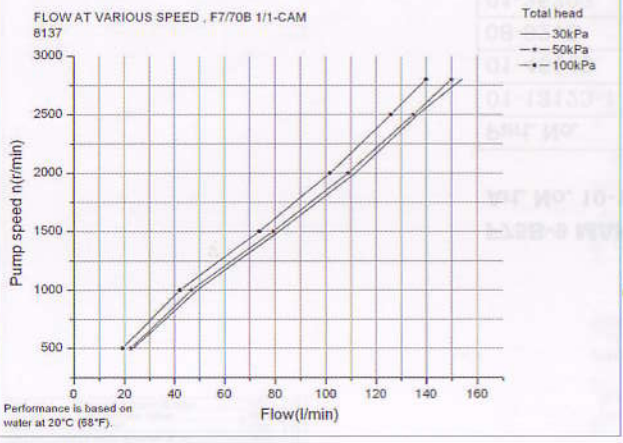
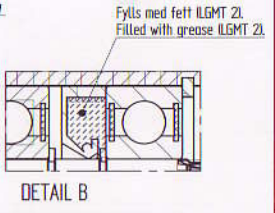
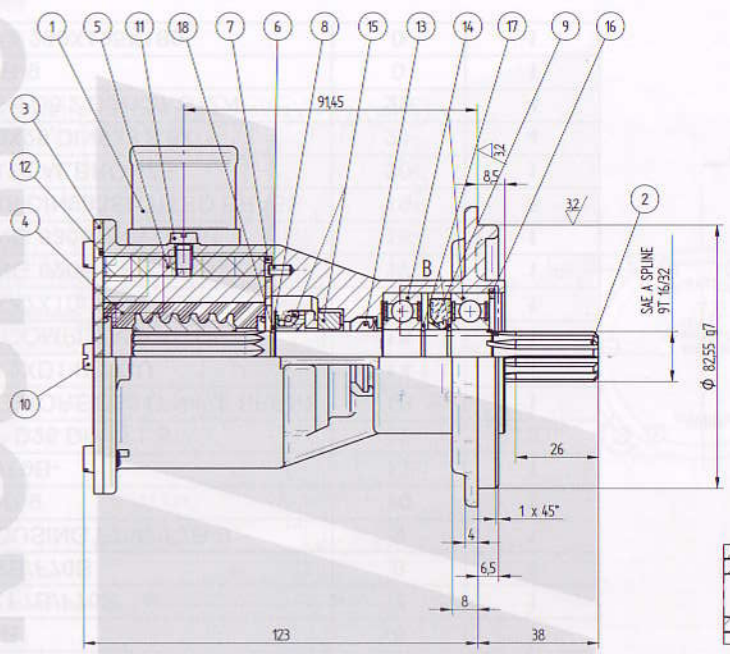
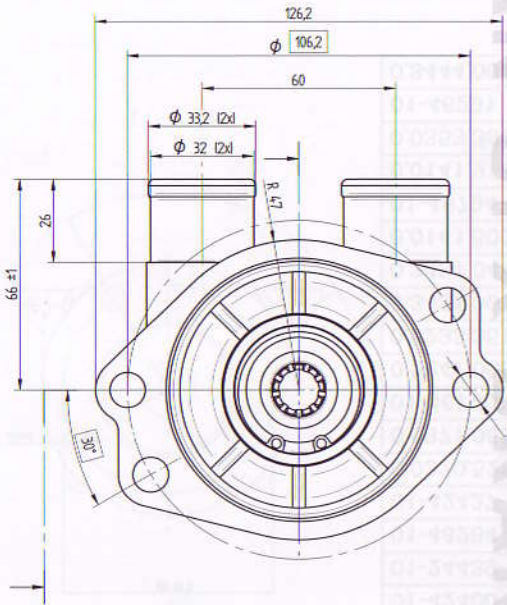


F7B-9 Impeller pump**Art. No. 10-24753-01**

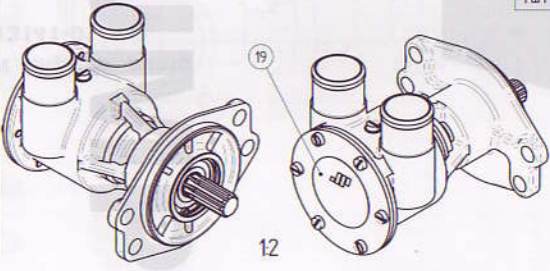
Part. No.	Description GB	Position	Quantity
01-13367-1	PUMP BODY F7B-9 JOHN DEERE	1	1
01-36141	SHAFT F7B-9 JOHN DEERE	2	1
01-46648-3	ENDCOVER F7B	3	1
08-1028B	IMPELLER	4	1
01-46899	CAM 1/1 F7B	5	1
01-42400	PIN F35B-/F7B/F70B	6	1
01-46798-2	WEAR PLATE F7B	7	1
01-45680	WASHER F5B/F6B/F7B	8	1
0.2233.403	LIP SEAL 17X40X7 NBR	9	1
0.0279.301	SCREW M5X8 ISO1207 A4	10	6
0.0279.033	SCREW M5X8 ISO1207 BRASS	11	1
0.2172.012	O-RING 63,22X1,78 NBR70	12	1
0.2230.015	V-RING 15.5-17.5 NBR/65SH	13	1
0.3431.742	BALL BEARING 6203 2 RS1 ST	14	2
0.2247.022	MECH.SEAL COMPL D16	15	1
0.0371.040	RETAIN. RING BORE D40 DIN472 SPRST	16	1
0.0370.017	EXT. CIRCLIP D17 DIN471 ST	17	2
0.0370.516	EXT. CIRCLIP D16 DIN471 PHB	18	1
01-46797	LABEL	19	1

Part no. Delnummer	Tolerance class, in % Toleransklass enligt ISO	
	Max. deviation Max. avvikelse	Min. deviation Min. avvikelse
Ø82,55g7	-0,012	-0,047



Ritning nr Drawing no	Pump nr/ Pump no	stycklista parts list	Pump typ Pump type	Märkning på lock Mark on endcover
03-24753	10-24753-01		F7B-9	Pump typ + pump nr + tillv. år + vecka Pump type + pump no + man. year + week

Detailnr enligt stycklista
Part nos according to parts list



UNLESS OTHERWISE STATED THE FOLLOWING APPLIES: SEV E2 ANVÄNT ENHETS SYSTEM	DATE AVG: 07/05/09	PROJECT NUMBER HELVEN/0907 2680	DESCRIPTION OF REVISION/ÄNDRINGARNA	DESIGNER/TEKNIKOR
REVISIONS REVISORER	DATE 07/05/17	DATE 11	TYPE PART NO. F7B-9	PROJECT NUMBER 03-24753
REVISIONS REVISORER	DATE 07/05/17	DATE 11	DESCRIPTION OF THE Johnson Impellerpump F7B-9	PROJECT NUMBER P01
REVISIONS REVISORER	DATE 07/05/17	DATE 11	DATE 03-24753	PROJECT NUMBER P01

JOHNSON PUMP
JOHNSON PUMP AB, P.O. BOX 1436
KUNSTGATAN 15, SE-701 14, ÖREBRO, SWEDEN