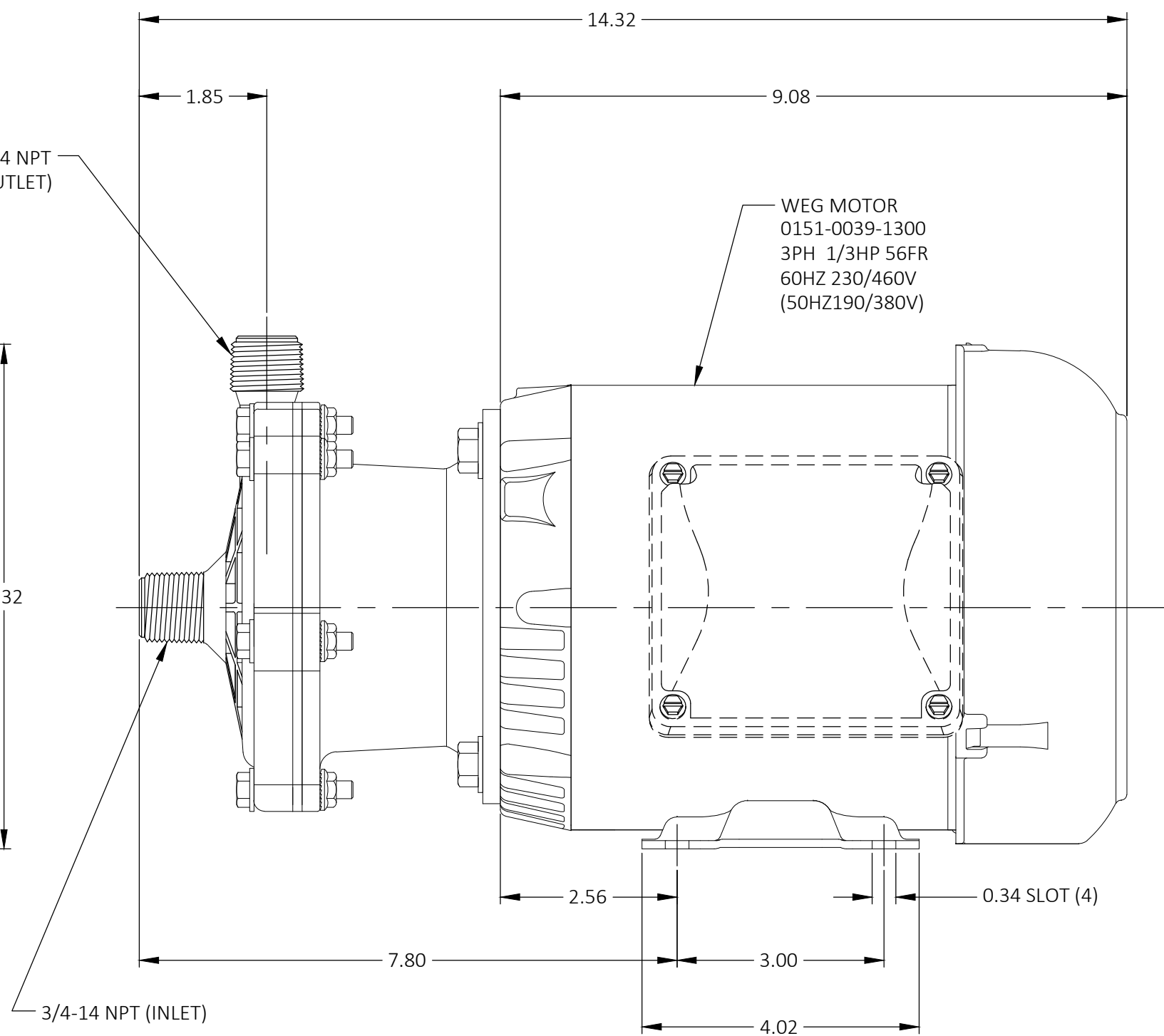


3/4-14 NPT
(OUTLET)

3/4-14 NPT (INLET)



WEG MOTOR
0151-0039-1300
3PH 1/3HP 56FR
60HZ 230/460V
(50HZ190/380V)

DRAWING SIZE: D-22x34
UNLESS NOTED OTHERWISE
ALL DIMS ARE IN INCHES.

MARCH MFG. INC.
1819 PICKWICK AVE. GLENVIEW, ILLINOIS

DIMS.	TOLERANCE
0.00	±0.03
0.000	±0.005
FRACTIONS	±1/64
ANGLES	±1°

THIS DOCUMENT DISCLOSED SUBJECT MATTER IN WHICH MARCH MFG. INC. HAS PROPRIETARY RIGHTS, NEITHER RECEIPT NOR POSSESSION THEREOF CONFERS OR TRANSFERS ANY RIGHT TO REPRODUCE OR DISCLOSE THE DOCUMENT, ANY PART THEREOF, ANY INFORMATION CONTAINED THEREIN, OR ANY PHYSICAL ARTICLE OR DEVICE OR TO PRACTICE ANY METHOD OR PROCESS, EXCEPT BY WRITTEN PERMISSION FROM OR WRITTEN AGREEMENT WITH MARCH MFG. INC.

DRAWN	Dr. TCZ	3/14/2019	MOLD # ----
CHECKED	Hans	3/14/2019	FIXTURE # ----
CUSTOMER	----		

REV.	INITIALS	DATE	CHANGE
MATERIAL ----			

PART NAME **Dimensional Assy 335CP-MD 3Ph 1/3HP (w/Weg Motor)**

PART # **0335-0001-0200 d2** REV. ----