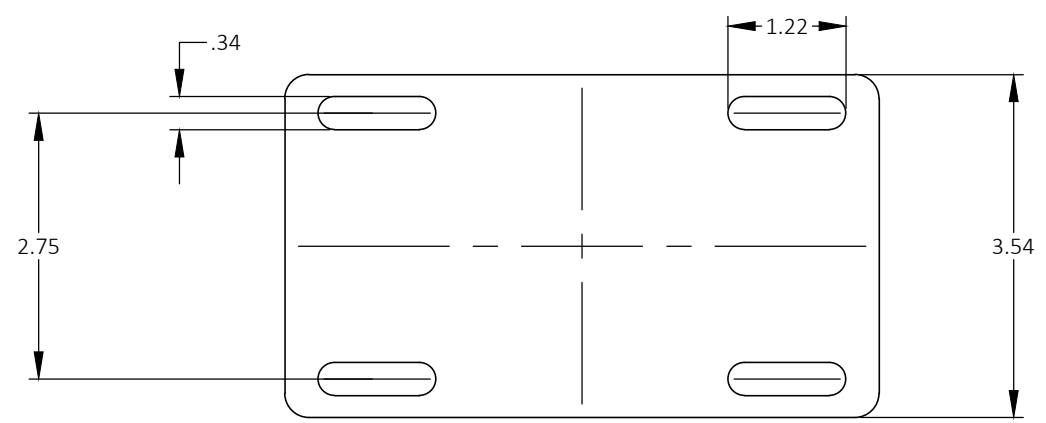


WEG MOTOR
 0150-0213-1000
 115/230V 50/60HZ
 1PH TEFC .2HP



UNLESS NOTED OTHERWISE ALL DIMS ARE IN INCHES.	
DIMS.	TOL.
0.000	±0.005
0.00	±0.03
FRACTIONS	±1/64
ANGLES	±1°

MARCH MFG. INC.
 1819 PICKWICK AVE. GLENVIEW, ILLINOIS

PART NAME
Dimensional Assy TE-MDK-MT3 1Ph (WEG Motor)

DRAWN	CHRISTIAN	5/22/18	DRAWING SIZE	D-22x34
CHECKED	Travis	5/22/18	MOLD #	
APPROVED			FIXTURE #	
FINISH			TOOL #	
MATERIAL			PART NUMBER	0135-0088-0300 d2
			REVISION	

REV.	INITIALS	DATE	E.C.O.	CHANGE

THIS DOCUMENT DISCLOSED SUBJECT MATTER IN WHICH MARCH MFG. INC. HAS PROPRIETARY RIGHTS, NEITHER RECEIPT NOR POSSESSION THEREOF CONFERS OR TRANSFERS ANY RIGHT TO REPRODUCE OR DISCLOSE THE DOCUMENT, ANY PART THEREOF, ANY INFORMATION CONTAINED THEREIN, OR ANY PHYSICAL ARTICLE OR DEVICE OR TO PRACTICE ANY METHOD OR PROCESS, EXCEPT BY WRITTEN PERMISSION FROM OR WRITTEN AGREEMENT WITH MARCH MFG. INC.