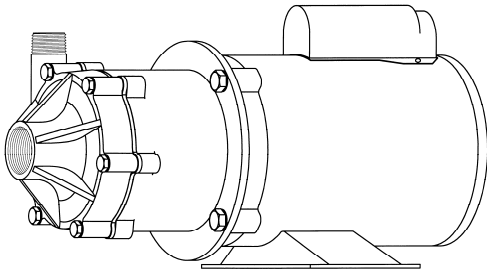




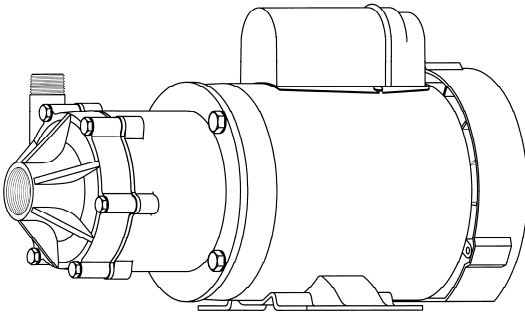
MARCH PUMPS

1819 PICKWICK AVE., GLENVIEW, IL 60026-1306, U.S.A
 PHONE: (847) 729-5300 - FAX: (847) 729-7062
 WWW.MARCHPUMP.COM

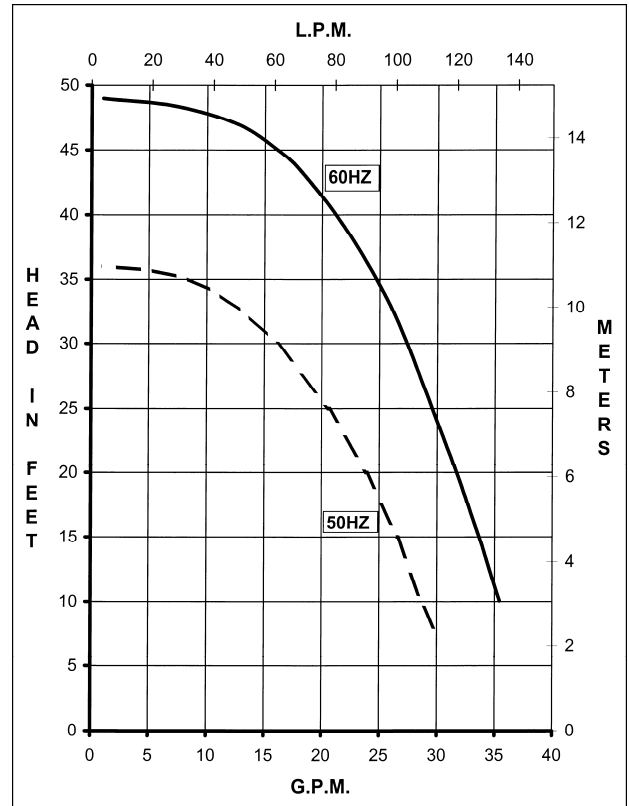
DP-6T-MD, TE-6K-MD DP-6K-MD, TE-6T-MD



DP-6T-MD
 DP-6K-MD



TE-6T-MD
 TE-6K-MD



PUMP CONSTRUCTION & SERVICING:

March "Orbital" Magnetic Drive Pumps eliminate the conventional shaft seals found in most pumps. Hence, there is no rotating shaft or seal to wear and allow the liquid being pumped to leak out. The only seal in the pump is a stationary "O" ring seal between the Front Housing and the Rear Housing. The pump can be serviced without the use of a wrench. The only moving part other than the motor is the Impeller Assembly, which rotates on a stationary shaft and up against a thrust washer. These are the only parts that might wear, and may require replacement. See the Repair Parts List for replacement parts.

MODEL ABBREVIATIONS:

DP = Drip Proof Motor
 TE = Totally Enclosed Fan Cooled Motor
 T = Ryton & Polypropylene
 K = Kynar
 MD = Magnetic Drive

OPERATION:

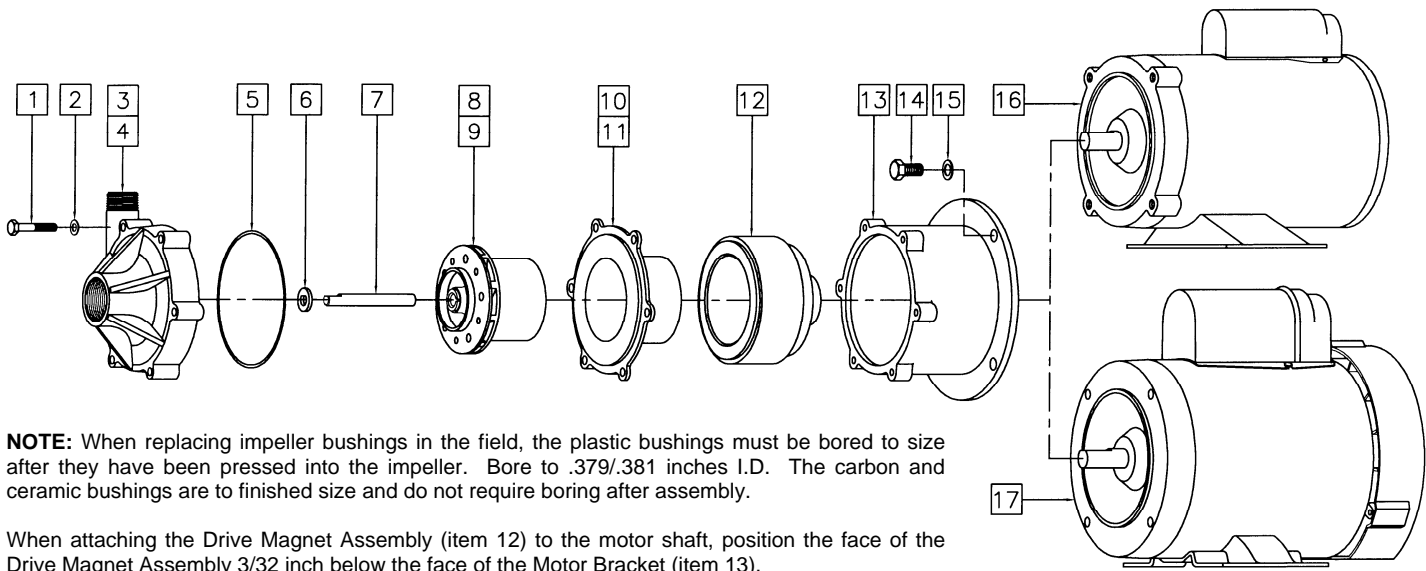
Pumps are not self priming, and will not produce a suction lift and must be installed with a positive flooded suction. The liquid being pumped serves as the lubrication for the Impeller Assembly spinning on the stationary shaft. If the pump is run dry for longer than 30 seconds, the Impeller may "freeze" onto the shaft. A carbon bushing will enable dry running protection. The direction of motor rotation should be clockwise looking into the inlet of the pump. A trimmed impeller may be necessary when pumping a liquid with a specific gravity or viscosity greater than water as well in cases of high liquid temperature.

ELECTRICAL:

The standard motor is 115/230 volts, 1 phase or 230/460 volts, 3 phase rated as continuous duty. A junction box is located on the rear of the motor for making the electric hook up. The wiring instructions are located on the motor label or on the junction box cover. The motor has U.L. yellow card recognition.

Explosion proof and special voltage motors are available upon special order.

SPECIFICATIONS			DP-6T-MD		DP-6K-MD		TE-6T-MD		TE-6K-MD	
Max Flow	50Hz	lpm	113.5		113.5		113.5		113.5	
	60Hz	gpm	38		38		38		38	
Max Head	50Hz	m	11		11		11		11	
	60Hz	ft (psi)	49 (21.2)		49 (21.2)		49 (21.2)		49 (21.2)	
Inlet			1" FPT		1" FPT		1" FPT		1" FPT	
Outlet			3/4" MPT		3/4" MPT		3/4" MPT		3/4" MPT	
Max Internal Pressure	psi		50		75		50		75	
	bar		3.4		5		3.4		5	
Max Liquid Temperature	°F		190		200		190		200	
	°C		87		93		87		93	
Packed Weight			kg/lbs		11.5/25.5		15.5/34.5		15/33	
Motor Type			Drip Proof 115 or 230		Drip Proof 115/230		TEFC 115 or 230		TEFC 230/460	
50Hz	Phase		1		1		3		1	
	Volts		115 230		115 230		230 460		115 230	
	Watts		555 555		480 480		555 555		480 480	
	Amps		8.4 4.2		1.7 .8		8.4 4.2		1.7 .8	
	Kw		.279 .279		.372 .372		.279 .279		.372 .372	
	Rpm		2850 2850		2850 2850		2850 2850		2850 2850	
60Hz	Volts		115 230		115 230		230 460		115 230	
	Watts		790 790		795 795		700 700		795 795	
	Amps		7.4 3.7		7.4 3.7		1.5 .7		7.4 3.7	
	Hp		1/2 1/2		1/2 1/2		1/2 1/2		1/2 1/2	
	Rpm		3450 3450		3450 3450		3450 3450		3450 3450	
	Electrical Connection			Junction Box		Junction Box		Conduit Box		Conduit Box
Overall Pump Dimensions (Inches)	Height		7.79		7.79		8.94		7.34	
	Width		6.54		6.54		8.96		8.96	
	Length		15.14		15.14		15.78		15.28	
Overall Pump Dimensions (cm)	Height		19.7		19.7		22.7		18.6	
	Width		16.6		16.6		22.7		22.7	
	Length		38.4		38.4		40.0		38.8	



NOTE: When replacing impeller bushings in the field, the plastic bushings must be bored to size after they have been pressed into the impeller. Bore to .379/.381 inches I.D. The carbon and ceramic bushings are to finished size and do not require boring after assembly.

When attaching the Drive Magnet Assembly (item 12) to the motor shaft, position the face of the Drive Magnet Assembly 3/32 inch below the face of the Motor Bracket (item 13).

REPAIR PARTS LIST

ITEM	DESCRIPTION	MATERIAL	QTY	PART #	DP-6T-MD	DP-6K-MD	TE-6T-MD	TE-6K-MD
1	Screw 1/4-20 x 1-1/2"Lg	Stainless	6	0153-0011-1000	S	S	S	S
2	Washer 1/4 I.D. x 1/2 O.D.	Stainless	6	0155-0021-1000	S	S	S	S
3	Front Housing	Ryton	1	0153-0002-1000	S		S	
4	Front Housing	Kynar	1	0153-0042-1000		S		S
5A	"O" Ring	Viton	1	0153-0015-1000	S	S	S	S
5B	"O" Ring	Viton/Teflon	1	0153-0024-1000	O	O	O	O
6	Thrust Washer	Ceramic	1	0155-0009-1000	S	S	S	S
7	Shaft	Ceramic	1	0153-0007-1000	S	S	S	S
8A	Impeller Assembly w/Ryton/Teflon/Carbon Bushing	Polypropylene/Ryton	1	0153-0003-0400	S		S	
8B	Impeller Assembly w/Carbon Bushing	Polypropylene/Carbon	1	0153-0003-0500	O		O	
8C	Impeller Assembly w/Mica Teflon Bushing	Polypropylene/Teflon	1	0153-0003-0900	O		O	
9A	Impeller Assembly w/Carbon Bushing	Kynar/Carbon	1	0153-0043-0500		S		S
9B	Impeller Assembly w/Mica Teflon Bushing	Kynar/Teflon	1	0153-0043-0900		O		O
10	Rear Housing w/Thrust Washer	Ryton/Ceramic	1	0153-0005-0100	S		S	
11	Rear Housing w/Thrust Washer	Kynar/Ceramic	1	0153-0041-0100		S		S
12	Drive Magnet Assembly		1	0153-0035-0100	S	S	S	S
13	Motor Connecting Bracket		1	0153-0001-0100	S	S	S	S
14	Screw 3/8-16 x 3/4"Lg	Stainless	4	0155-0017-1000	S	S	S	S
15	Washer 3/8 I.D. x 5/8 O.D.	Stainless	4	0155-0019-1000	S	S	S	S
16	Motor, Drip Proof, 115/230 Volt, 60 Hz, 1 Phase		1	0153-0027-1000	S	S		
17A	Motor, TEFC, 115/230 Volt, 50/60 Hz, 1 Phase		1	0153-0019-1000			S	S
17B	Motor, TEFC, 230/460 Volt, 50/60 Hz, 3 Ph (Not Shown)		1	0153-0020-1000			S	S
W1	Wet End Kit (Items: 1, 2, 3, 5A, 6, 7, 8A, 10)	See Individual Items	1	0153-0056-0100	S		S	
W2	Wet End Kit (Items: 1, 2, 4, 5A, 6, 7, 9A, 11)	See Individual Items	1	0153-0057-0100		S		S

NOTE: Contact Factory for other materials and/or parts not listed.

Legend: S = Standard, O = Optional

MATERIALS IN CONTACT WITH SOLUTION:

For DP-6T-MD: Polypropylene, Ryton, Viton, Ceramic, Ryton/Teflon/Carbon

For DP-6K-MD: Kynar/Carbon Filled, Viton, Ceramic, Carbon

For TE-6T-MD: Polypropylene, Ryton, Viton, Ceramic, Ryton/Teflon/Carbon

For TE-6K-MD: Kynar/Carbon Filled, Viton, Ceramic, Carbon

NOTES:

All specifications & data are based on pumping water and are intended for use as a guideline only. Ratings & dimensions may vary depending on the current motor being used.

LIMITED WARRANTY:

March pumps are guaranteed only against defects in workmanship or materials for a period of one year from date of manufacture pumping water. On all other solutions, contact the factory for application assistance. March Pump Application Worksheet 0750-0130-1000 is available for additional warranty information.