

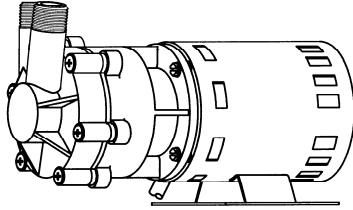


MARCH PUMPS

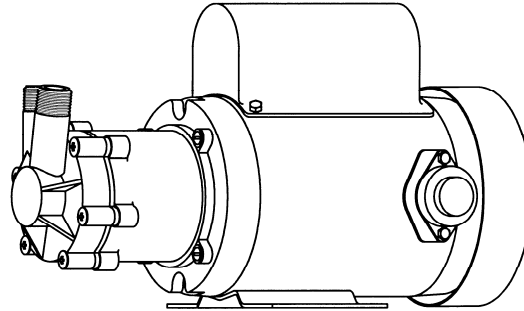
1819 PICKWICK AVE., GLENVIEW, IL 60026-1306, U.S.A.
 PHONE: (847) 729-5300 - FAX: (847) 729-7062
 WWW.MARCHPUMP.COM

MDX-MT3
MDK-MT3
TE-MDX-MT3
TE-MDK-MT3

MDX-MT3
MDK-MT3



TE-MDX-MT3
TE-MDK-MT3



PUMP CONSTRUCTION & SERVICING:

March "ORBITAL" Magnetic Drive Pumps eliminate the conventional shaft seals found in most pumps. Hence, there is no rotating seal to wear and allow the liquid being pumped to leak out. There are only two areas in this type construction that rotate and could wear out. One area is the motor shaft and bearings. The second area is the Impeller Assembly rotating on a stationary shaft, and hence these are the only two areas where wearing can occur. All parts can be easily serviced and replaced in the field if necessary with the use of a screwdriver. See the Repair Parts List for necessary replacement items. The inlet and outlet ports are 1/2" M.P.T. threads.

OPERATION:

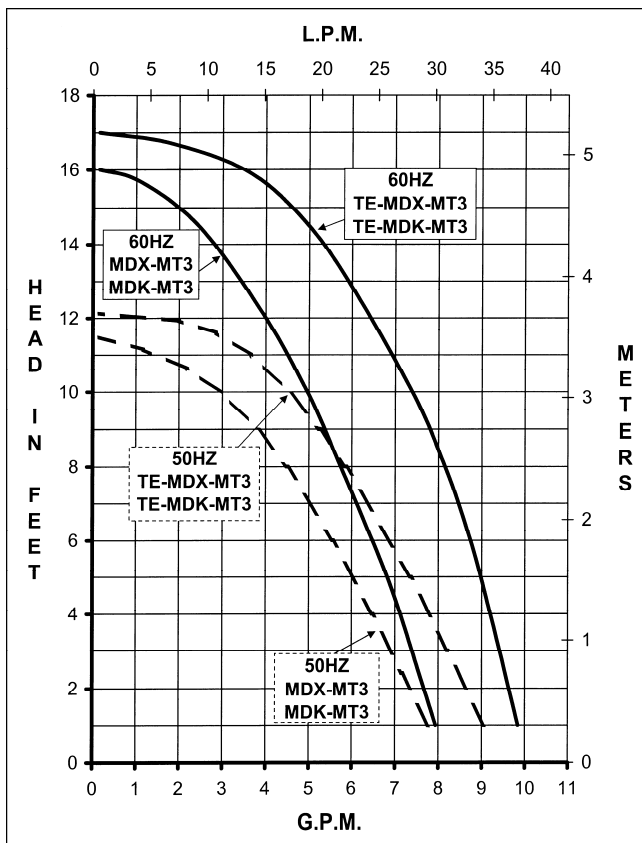
Pumps are not self priming and will not produce a suction lift and must be installed with a positive flooded suction. The pumps should not be run dry for more than 30 seconds as the plastic impeller will squeal and may bind on the stationary shaft. A trimmed impeller may be necessary when pumping a liquid with a specific gravity or viscosity greater than water as well in cases of high liquid temperature.

ELECTRICAL:

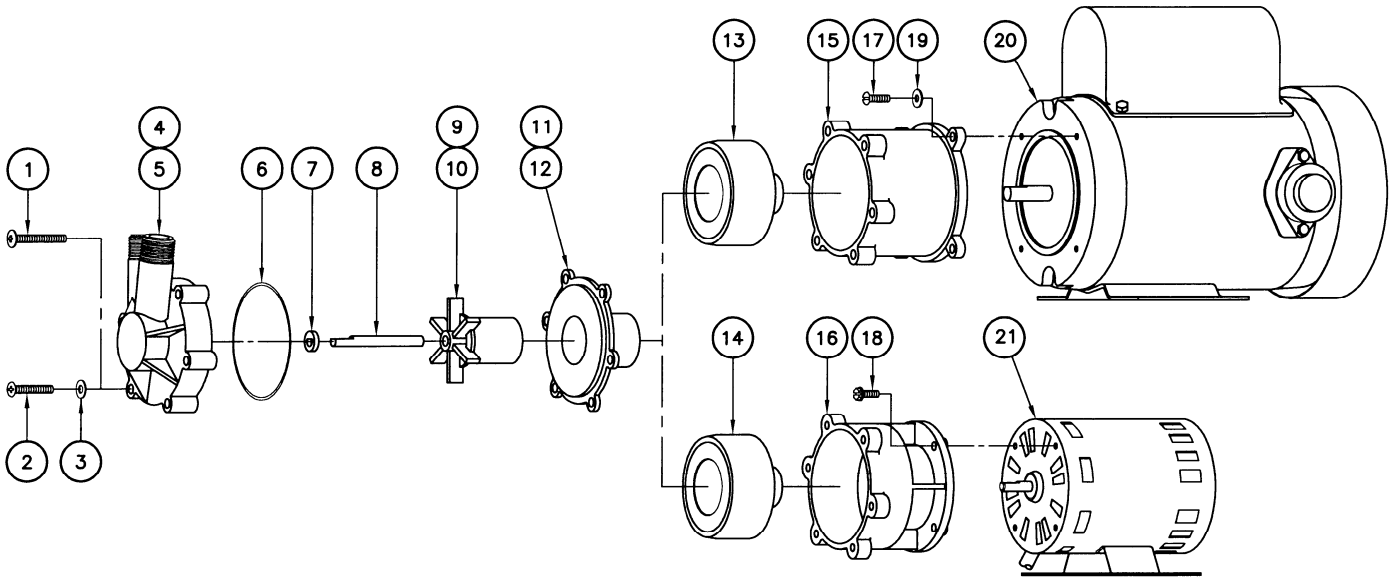
The MDX-MT3 & MDK-MT3 motor is open, air-cooled, 115 volt or 230 volt 50/60 cycle, 1 phase A.C.
 The TE-MDX-MT3 & TE-MDK-MT3 motor is totally enclosed, 115/230 volt, 50/60 cycle, 1 phase A.C.
 Wiring instructions are located on the motor label. Both motors are U.L. recognized.

MODEL ABBREVIATIONS:

X = Ryton
 K = Kynar
 TE = Totally Enclosed Fan Cooled Motor



SPECIFICATIONS			MDX-MT3	MDK-MT3	TE-MDX-MT3	TE-MDK-MT3
Max Flow	50Hz	lpm	30	30	35	35
	60Hz	gpm	8	8	10	10
Max Head	50Hz	m	3.5	3.5	3.7	3.7
	60Hz	ft (psi)	16 (6.9)	16 (6.9)	17 (7.4)	17 (7.4)
Inlet		1/2" MPT	1/2" MPT	1/2" MPT	1/2" MPT	1/2" MPT
Outlet		1/2" MPT	1/2" MPT	1/2" MPT	1/2" MPT	1/2" MPT
Max Internal Pressure	psi	75	75	75	75	
	bar	5	5	5	5	
Max Liquid Temperature	°F	200	200	200	200	
	°C	93	93	93	93	
Packaged Weight	kg/lbs	3/6.5	3/6.5	4.5/10	4.5/10	
Motor Type			Air Cooled 115 or 230	Air Cooled 115 or 230	TEFC 115/230	TEFC 115/230
Phase			1	1	1	1
50Hz	Volts	115 230	115 230	115 230	115 230	115 230
	Watts	114 124	114 124	95 95	95 95	
	Amps	1.35 0.80	1.35 0.80	1.04 0.52	1.04 0.52	
	Kw	0.029 0.029	0.029 0.029	0.049 0.049	0.049 0.049	
	Rpm	2850 2850	2850 2850	2850	2850	
60Hz	Volts	115 230	115 230	115 230	115 230	
	Watts	120 117	120 117	115 115	115 115	
	Amps	1.35 0.85	1.35 0.85	1 0.5	1 0.5	
	Hp	1/25 1/25	1/25 1/25	1/15 1/15	1/15 1/15	
	Rpm	3450 3450	3450 3450	3450	3450	
Electrical Connection			Cord	Cord	Conduit Box	Conduit Box
Overall Pump Dimensions (Inches)	Height	4.82	4.82	7.19	7.19	
	Width	3.70	3.70	8.02	8.02	
	Length	8.41 9.02	8.41 9.02	12.42	12.42	
Overall Pump Dimensions (cm)	Height	12.2	12.2	18.2	18.2	
	Width	9.3	9.3	20.3	20.3	
	Length	21.3 22.9	21.3 22.9	31.5	31.5	



REPAIR PARTS LIST

ITEM	DESCRIPTION	MATERIAL	QTY	PART #	MDX-MT3	MDK-MT3	TE-MDX-MT3	TE-MDK-MT3
1	Screw #10-32 x 1-1/2"Lg	Stainless Steel	6	0823-0008-1000			S	S
2	Screw #10-32 x 1-1/8"Lg	Stainless Steel	6	0135-0181-1000	S	S		
3	Washer #10	Stainless Steel	6	0150-0051-1000	S	S		
4	Front Housing 1/2" MPT	Ryton®	1	0135-0088-1000	S		S	
5	Front Housing 1/2" MPT	Kynar®	1	0135-0152-1000		S		S
6	"O" Ring	Viton®	1	0135-0046-1000	S	S	S	S
7	Thrust Washer	Ceramic	1	0130-0028-1000	S	S	S	S
8	Shaft	Ceramic	1	0130-0024-1000	S	S	S	S
9	Impeller Assembly	Ryton®	1	0135-0113-0200	S		S	
10	Impeller Assembly	Kynar®	1	0135-0154-0200		S		S
11	Rear Housing	Ryton®	1	0135-0087-1000	S		S	
12	Rear Housing	Kynar®	1	0135-0153-1000		S		S
13	Drive Magnet Assembly (.375 Bore)		1	0130-0043-0300			S	S
14	Drive Magnet Assembly (.250 Bore)		1	0130-0043-0100	S	S		
15	Motor Connecting Bracket		1	0135-0089-0100			S	S
16	Motor Connecting Bracket		1	0135-0135-0100	S	S		
17	Screw #8-32 x 5/8"Lg	Stainless	4	0618-0027-1000			S	S
18	Screw (Hex Washer Hd) #8-32 x 1/2"Lg	Stainless	4	0135-0169-1000	S	S		
19	Washer #8	Stainless	4	0135-0016-1000			S	S
20	Motor - TEFC - 115/230 Volt - 50/60 Hz		1	0135-0148-1000			S	S
21A	Motor - 115 Volt - 50/60 Hz		1	0135-0114-1000	S	S		
21B	Motor - 230 Volt - 50/60 Hz		1	0135-0136-1000	S	S		

NOTE: Contact Factory for other materials and/or parts not listed.

Legend: S = Standard, O = Optional

MATERIALS IN CONTACT WITH SOLUTION:

MDX-MT3: Ryton, Ceramic, Viton

MDK-MT3: Kynar, Ceramic, Viton

TE-MDX-MT3: Ryton, Ceramic, Viton

TE-MDK-MT3: Kynar, Ceramic, Viton

NOTES:

All specifications & data are based on pumping water and are intended for use as a guideline only. Ratings & dimensions may vary depending on the current motor being used.

LIMITED WARRANTY:

March pumps are guaranteed only against defects in workmanship or materials for a period of one year from date of manufacture pumping water. On all other solutions, contact the factory for application assistance. March Pump Application Worksheet 750-130-10 is available for additional warranty information.