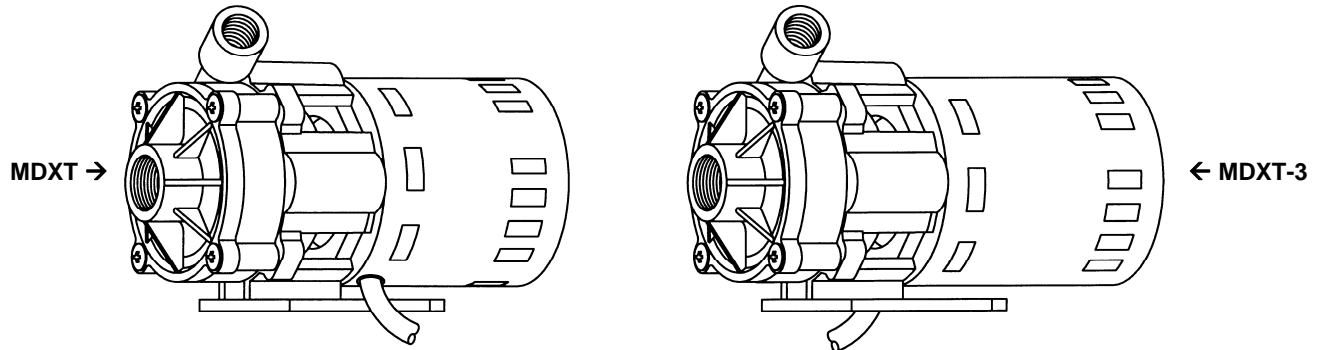




MARCH PUMPS

1819 PICKWICK AVE., GLENVIEW, IL 60026-1306, U.S.A
 PHONE: (847) 729-5300 - FAX: (847) 729-7062
 WWW.MARCHPUMP.COM

MDXT MDXT-3



PUMP CONSTRUCTION:

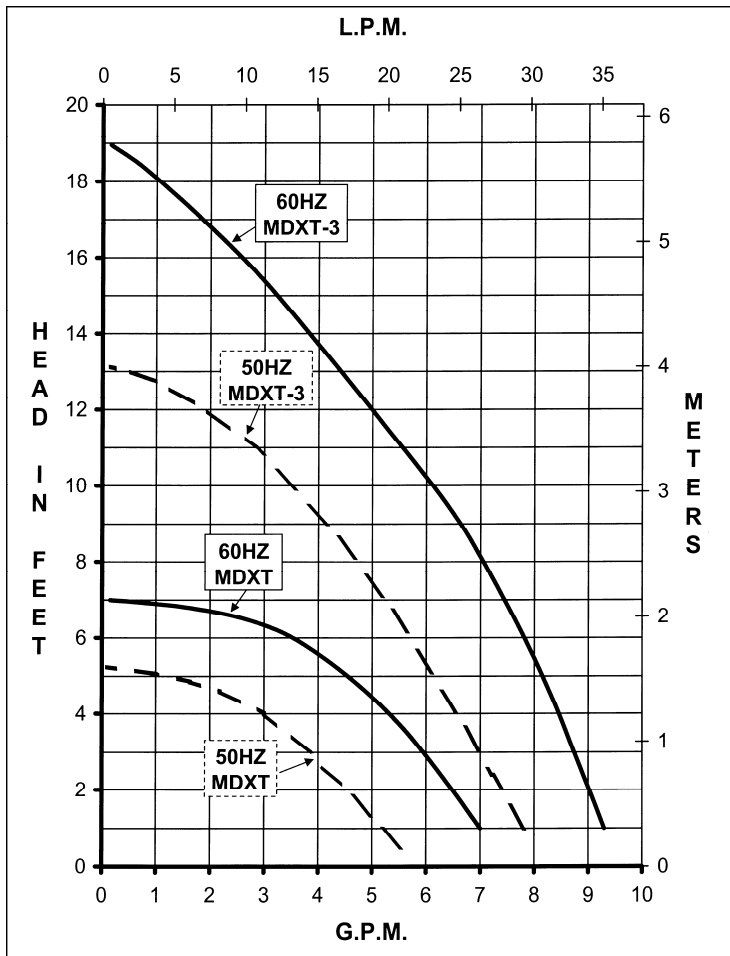
March "ORBITAL" Magnetic Drive Pumps eliminate the conventional shaft seals found in most pumps. Hence, there is no rotating seal to wear and allow the liquid being pumped to leak out. There are only two areas in this type construction that rotate and could wear out. One area is the motor shaft and bearings. The second area is the impeller rotating on a stationary shaft, and hence these are the only two areas where wearing can occur. All parts can be easily serviced and replaced in the field if necessary. By removing the 4 housing screws, the entire pump can be disassembled. See the Repair Parts List for necessary replacement items.

OPERATION:

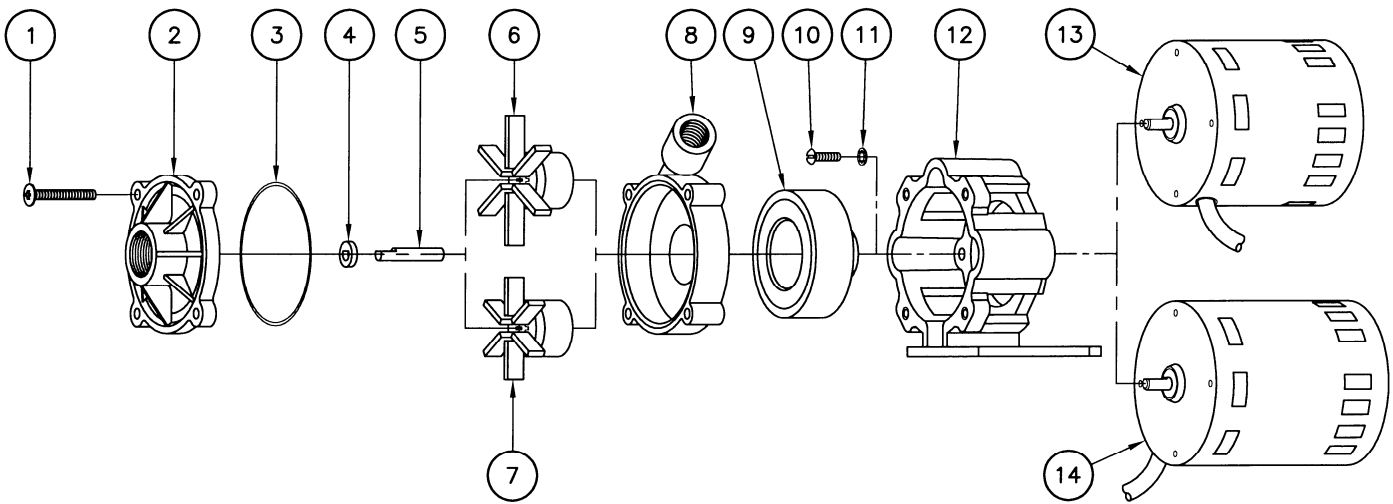
Pumps are not self priming and will not produce a suction lift and must be installed with a positive flooded suction. The pumps should not be run dry for more than 60 seconds as the plastic impeller will squeal and bind onto the stationary shaft.

ELECTRICAL:

Models are 115 volt or 230 Volt, 60Hz or 50/60Hz 1phase A.C. Motors are all thermal overload protected and are UL recognized. The black and white lead should be connected to your power source. The green lead must be connected to the ground.



SPECIFICATIONS			MDXT	MDXT-3
Max Flow	50Hz	lpm	22	30
	60Hz	gpm	7	8.5
Max Head	50Hz	m	1.6	4
	60Hz	ft (psi)	7 (3)	19 (8.2)
Inlet			1/2" FPT	1/2" FPT
Outlet			3/8" FPT	3/8" FPT
Max Internal Pressure	psi		50	50
	bar		3.4	3.4
Max Liquid Temperature		°F	190	190
		°C	87	87
Packed Weight		kg/lbs	2.5/5.5	3/6
Motor Type			Air Cooled 115 or 230	Air Cooled 115 or 230
Phase			1	
50Hz	Volts		230	115 230
	Watts		64	118 120
	Amps		0.5	1.55 0.7
	Kw		0.018	0.029 0.029
	Rpm		1300	2850 2850
60Hz	Volts		115 230	115 230
	Watts		59 59	115 114
	Amps		0.94 0.45	1.55 0.7
	Hp		1/55 1/40	1/25 1/25
	Rpm		1750 1750	3450 3450
Electrical Connection			Cord	
Overall Pump Dimensions (Inches)	Height		4.86	4.86
	Width		3.88	3.88
	Length		7.14 7.39	7.75 8.17
Overall Pump Dimensions (cm)	Height		12.3	12.3
	Width		9.8	9.8
	Length		18.1 18.7	19.6 20.7



REPAIR PARTS LIST						
ITEM	DESCRIPTION	MATERIAL	QTY	PART #	MDXT	MDXT-3
1	Screw #10-32 x 1-1/2"Lg.	Stainless Steel	4	0823-0008-1000	S	S
2	Cover (1/2"FPT Inlet)	Polypropylene	1	0135-0172-1000	S	S
3	"O" Ring	Buna N	1	0135-0039-1000	S	S
4	Thrust Washer	Ceramic	1	0130-0028-1000	S	S
5	Shaft	Ceramic	1	0809-0160-1000	S	S
6	Impeller Assembly (2.625" Dia.)	Polypropylene/Ceramic Magnet	1	0135-0026-0100	S	
7	Impeller Assembly (2.062" Dia.)	Polypropylene/Ceramic Magnet	1	0135-0043-0100		S
8	Rear Housing (3/8"FPT Outlet)	Polypropylene	1	0135-0171-1000	S	S
9	Drive Magnet Assembly		1	0135-0126-0100	S	S
10	Screw #8-32 x 5/8"Lg.	Stainless Steel	4	0618-0027-1000	S	S
11	Lock Washer	Stainless Steel	4	0620-0010-1000	S	S
12	Motor Bracket		1	0135-0168-0100	S	S
13A	Motor-1750 RPM-115 Volts-60Hz		1	0135-0109-1000	S	
13B	Motor-1750 RPM-230 Volts-50/60HZ		1	0135-0112-1000	S	
14A	Motor-3500 RPM-115 Volts-50/60Hz		1	0135-0036-1000		S
14B	Motor-3500 RPM-230 Volts-50/60Hz		1	0135-0037-1000		S

NOTE: Contact Factory for other materials and/or parts not listed. Legend: S = Standard, O = Optional

MATERIALS IN CONTACT WITH SOLUTION:

MDXT: Polypropylene, Ceramic, Buna N, Ceramic Magnet
 MDXT-3: Polypropylene, Ceramic, Buna N, Ceramic Magnet

NOTES:

All specifications & data are based on pumping water and are intended for use as a guideline only. Ratings & dimensions may vary depending on the current motor being used.

LIMITED WARRANTY:

March pumps are guaranteed only against defects in workmanship or materials for a period of one year from date of manufacture pumping water. On all other solutions, contact the factory for application assistance. March Pump Application Worksheet 0750-0130-1000 is available for additional warranty information.