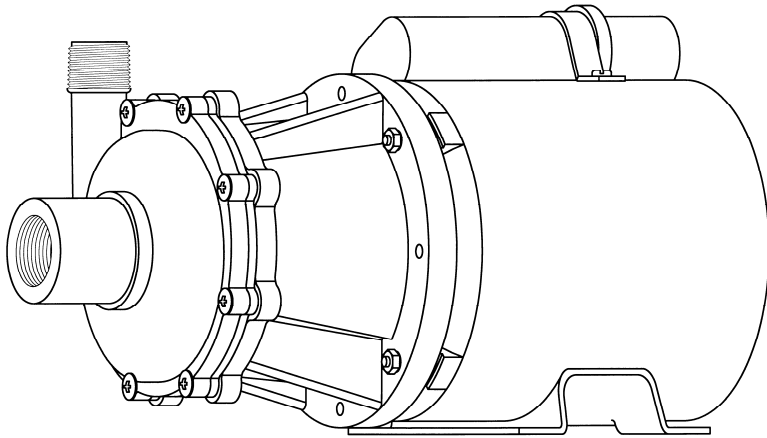




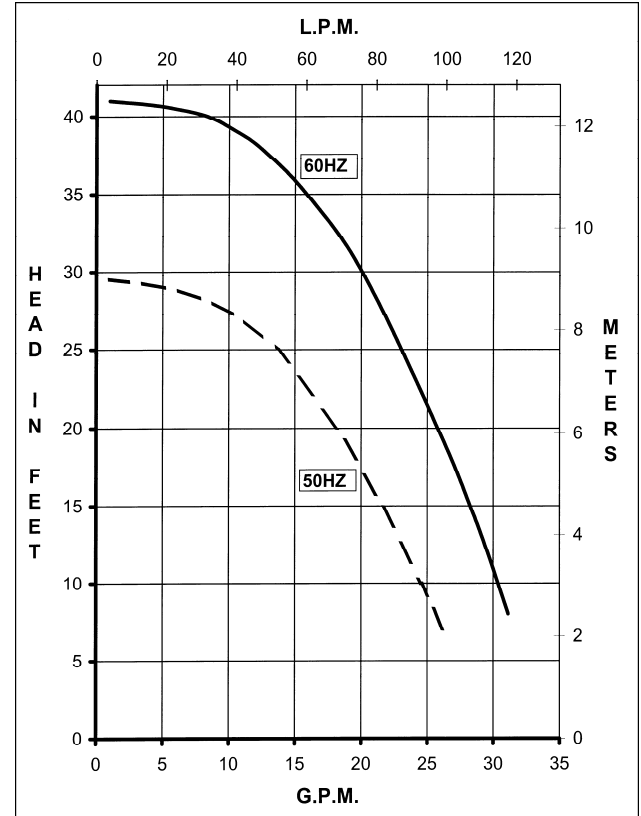
MARCH PUMPS

1819 PICKWICK AVE., GLENVIEW, IL 60026-1306, U.S.A
 PHONE: (847) 729-5300 - FAX: (847) 729-7062
 WWW.MARCHPUMP.COM

TE-5.5C-MD-AC TE-5.5K-MD-AC



TE-5.5C-MD-AC & TE-5.5K-MD-AC



MODEL ABBREVIATIONS:

C = Polypropylene, K = Kynar
 AC = Air Cooled Motor, MD = Magnetic Drive

PUMP CONSTRUCTION & SERVICING:

March "Orbital" Magnetic Drive Pumps eliminate the conventional shaft seals found in most pumps. Hence, there is no rotating shaft or seal to wear and allow the liquid being pumped to leak out. The only seal in the pump is a stationary "O" ring seal between the Front Housing and the Rear Housing. The pump can be serviced with the use of a screwdriver. The only moving part other than the motor is the Impeller Assembly, which rotates on a stationary shaft and up against a thrust washer. These are the only parts that might wear, and may require replacement. See the Repair Parts List for replacement parts. Do not over tighten the 8 Housing Screws (Item 1) or you may crush the plastic Housing bosses. Tighten all screws uniformly.

OPERATION:

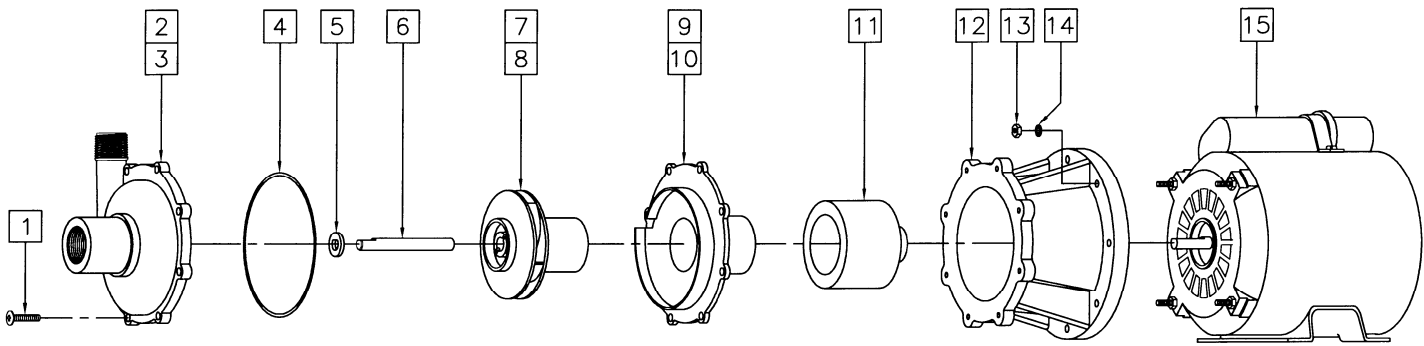
Pumps are not self priming and will not produce a suction lift and must be installed with a positive flooded suction. We rely on the liquid being pumped to lubricate the Impeller Assembly spinning on the stationary shaft. If the pump is run dry for longer than 30 seconds, the Impeller may "freeze" onto the shaft. A carbon bushing will enable dry running protection. The direction of motor rotation should be clockwise looking at the inlet of the pump. A trimmed impeller may be necessary when pumping a liquid with a specific gravity or viscosity greater than water as well in cases of high liquid temperature.

ELECTRICAL:

The standard pump motor is, 115/230 Volts, 50/60Hz, 1 phase rated as continuous duty. A junction box is located on the side of the motor for the electrical hook up. The wiring instructions are located on the motor label or on the junction box cover. The motor has U.L. yellow card recognition.

Explosion proof and special voltage motors are available upon special order.

SPECIFICATIONS			TE-5.5C-MD-AC	TE-5.5K-MD-AC
Max Flow	50Hz	lpm	102	102
	60Hz	gpm	30	30
Max Head	50Hz	m	9	9
	60Hz	ft (psi)	41 (17.7)	41 (17.7)
Inlet			1" FPT	1" FPT
Outlet			3/4" MPT	3/4" FPT
Max Internal Pressure	psi		50	75
	bar		3.4	5
Max Liquid Temperature	°F		190	200
	°C		87	93
Packed Weight	kg/lbs		7/15.5	7.5/16
Motor Type			Air Cooled 115/230	Air Cooled 115/230
Phase			1	1
50Hz	Volts		115 230	115 230
	Watts		281 281	281 281
	Amps		2.9 1.4	2.9 1.4
	Kw		.149 .149	.149 .149
	Rpm		2850 2850	2850 2850
60Hz	Volts		115 230	115 230
	Watts		407 407	407 407
	Amps		2.7 1.4	2.7 1.4
	Hp		1/5 1/5	1/5 1/5
	Rpm		3450 3450	3450 3450
Electrical Connection			Junction Box	Junction Box
Overall Pump Dimensions (Inches)	Height		6.95	6.95
	Width		5.81	5.81
	Length		12.89	12.89
Overall Pump Dimensions (cm)	Height		17.6	17.6
	Width		14.7	14.7
	Length		32.7	32.7



NOTE: When attaching the Drive Magnet Assembly (item 11) to the motor shaft, position the face of the Drive Magnet Assembly flush with the face of the Motor Bracket (item 12).

REPAIR PARTS LIST

ITEM	DESCRIPTION	MATERIAL	QTY	PART #	TE-5.5C-MD-AC	TE-5.5K-MD-AC
1	Screw (Truss Hd) #10-32 x 1"Lg	Stainless	8	0135-0180-1000	S	S
2	Front Housing	Polypropylene	1	0151-0027-1000	S	
3	Front Housing	Kynar	1	0151-0044-1000		S
4A	"O" Ring	Viton	1	0153-0015-1000	S	S
4B	"O" Ring	Viton/Teflon	1	0153-0024-1000	O	O
5	Thrust Washer	Ceramic	1	0155-0009-1000	S	S
6	Shaft	Ceramic	1	0153-0007-1000	S	S
7A	Impeller Assembly	Polypropylene	1	0151-0029-0500	S	
7B	Impeller Assembly w/Carbon Bushing	Polypropylene/Carbon	1	0151-0029-0800	O	
7C	Impeller Assembly w/Mica Teflon Bushing	Polypropylene/Teflon	1	0151-0029-1300	O	
8A	Impeller Assembly	Kynar	1	0151-0046-0300		S
8B	Impeller Assembly w/Carbon Bushing	Kynar/Carbon	1	0151-0046-0500		O
8C	Impeller Assembly w/Mica Teflon Bushing	Kynar/Teflon	1	0151-0046-1100		O
9	Rear Housing w/Thrust Washer	Polypropylene/Ceramic	1	0151-0028-0100	S	
10	Rear Housing w/Thrust Washer	Kynar/Ceramic	1	0151-0045-0100		S
11	Drive Magnet Assembly		1	0151-0061-0200	S	S
12	Motor Connecting Bracket		1	0151-0041-0100	S	S
13	Hex Nut	Brass	4	0410-0039-1000	S	S
14	Lock Washer	Stainless	4	0620-0010-1000	S	S
15	Motor - 115/230 Volt, 50/60 Hz, 1 Phase		1	0175-0087-1000	S	S
W1	Wet End Kit (Items: 1, 2, 4A, 5, 6, 7A, 9)	See Individual Items	1	0151-0069-0100	S	
W2	Wet End Kit (Items: 1, 3, 4A, 5, 6, 8A, 10)	See Individual Items	1	0151-0070-0100		S

NOTE: Contact Factory for other materials and/or parts not listed.

Legend: S = Standard, O = Optional

MATERIALS IN CONTACT WITH SOLUTION:

For TE-5.5C-MD-AC: Polypropylene, Viton, Ceramic

For TE-5.5K-MD-AC: Kynar/Carbon Filled, Viton, Ceramic

NOTES:

All specifications & data are based on pumping water and are intended for use as a guideline only. Ratings & dimensions may vary depending on the current motor being used.

LIMITED WARRANTY:

March pumps are guaranteed only against defects in workmanship or materials for a period of one year from date of manufacture pumping water. On all other solutions, contact the factory for application assistance. March Pump Application Worksheet 0750-0130-1000 is available for additional warranty information.