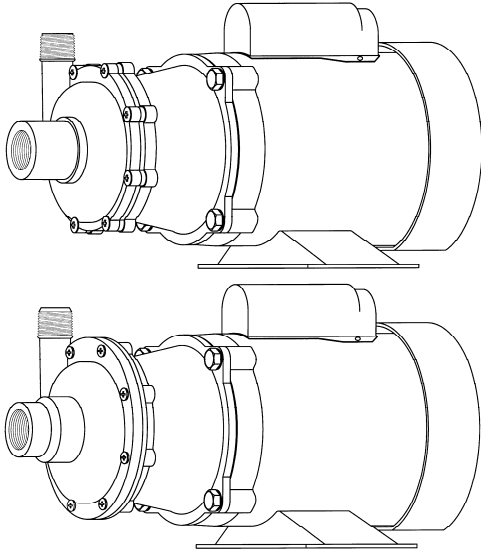




MARCH PUMPS

1819 PICKWICK AVE., GLENVIEW, IL 60026-1306, U.S.A
 PHONE: (847) 729-5300 - FAX: (847) 729-7062
 WWW.MARCHPUMP.COM

TE-5.5C-MD
TE-5.5K-MD
TE-5.5S-MD



TE-5.5C-MD
TE-5.5K-MD

TE-5.5S-MD

PUMP CONSTRUCTION & SERVICING:

March "Orbital" Magnetic Drive Pumps eliminate the conventional shaft seals found in most pumps. Hence, there is no rotating shaft or seal to wear and allow the liquid being pumped to leak out. The only seal in the pump is a stationary "O" ring seal between the Front Housing and the Rear Housing. The pump can be serviced with the use of a screwdriver. The only moving part other than the motor, is the Impeller Assembly, which rotates on a stationary shaft and up against a thrust washer. These are the only parts that might wear, and may require replacement. See the Repair Parts List for replacement parts. On plastic pumps, do not over tighten the 8 Housing Screws (Item 1) or you may crush the plastic Housing bosses. Tighten all screws uniformly.

MODEL ABBREVIATIONS:

C = Polypropylene, K = Kynar
 S = Stainless Steel, MD = Magnetic Drive
 TE = Totally Enclosed Fan Cooled Motor

OPERATION:

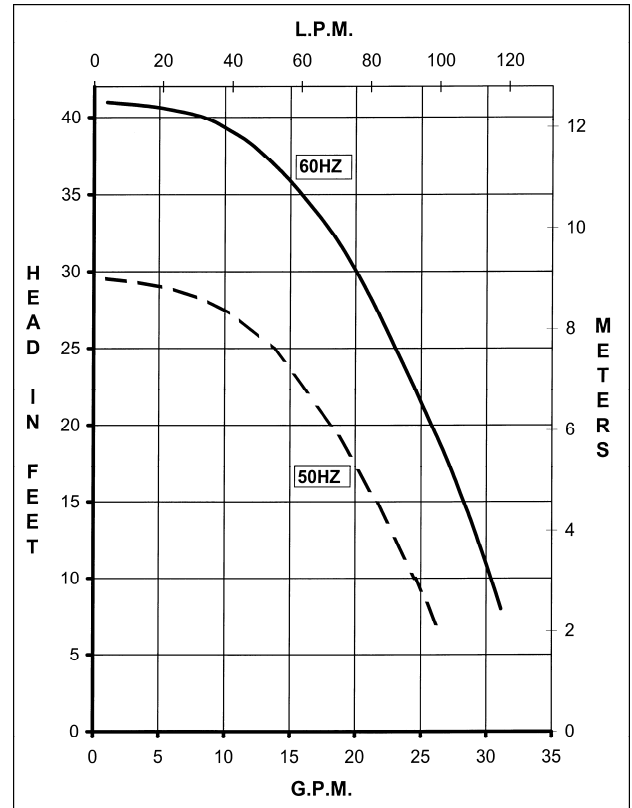
Pumps are not self priming and will not produce a suction lift and must be installed with a positive flooded suction. We rely on the liquid being pumped to lubricate the Impeller Assembly spinning on the stationary shaft. If the pump is run dry for longer than 30 seconds, the Impeller may "freeze" onto the shaft. A carbon bushing will enable dry running protection. The direction of motor rotation should be clockwise looking at the inlet of the pump. A trimmed impeller may be necessary when pumping a liquid with a specific gravity or viscosity greater than water as well in cases of high liquid temperature.

ELECTRICAL:

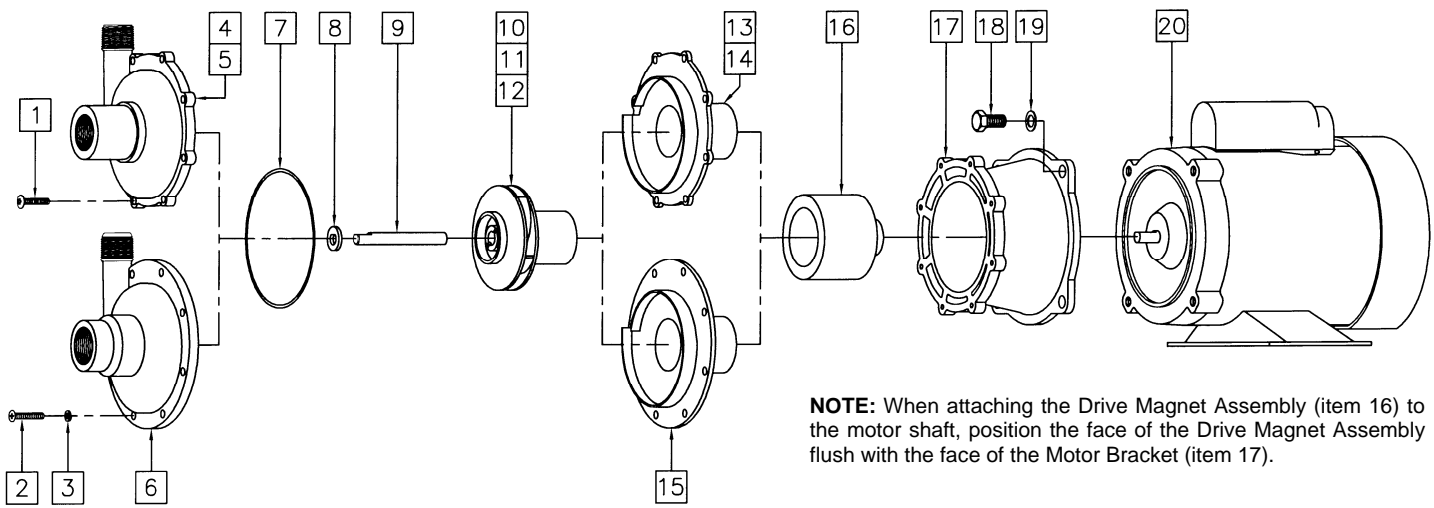
The standard pump has a TEFC motor, 115/230 Volts, 1 phase or 230/460 Volts, 3 phase rated as continuous duty. A junction box is located on the side of the motor for the electrical hook up. The wiring instructions are located on the motor label or on the junction box cover. The motor has U.L. yellow card recognition. Explosion proof and special voltage motors are available upon special order.

NOTES:

All specifications & data are based on pumping water and are intended for use as a guideline only. Ratings & dimensions may vary depending on the current motor being used.



SPECIFICATIONS			TE-5.5C-MD		TE-5.5K-MD		TE-5.5S-MD			
Max Flow	50Hz	lpm	102		102		102			
	60Hz	gpm	30		30		30			
Max Head	50Hz	m	9		9		9			
	60Hz	ft (psi)	41 (17.7)		41 (17.7)		41 (17.7)			
Inlet			1" FPT		1" FPT		1" FPT			
Outlet			3/4" MPT		3/4" MPT		3/4" MPT			
Max Internal Pressure	psi		50		75		200			
	bar		3.4		5		13			
Max Liquid Temperature	°F		190		200		250			
	°C		87		93		121			
Packed Weight			15.5/34.5		16/35		17.5/39			
Motor Type			TEFC 115/230		TEFC 230/460		TEFC 115/230		TEFC 230/460	
Phase			1		3		1		3	
50Hz	Volts		115	230	190	380	115	230	190	380
	Watts		290	290	350	350	290	290	350	350
	Amps		4.4	2.2	1.2	.6	4.4	2.2	1.2	.6
	Kw		.248	.248	.186	.186	.248	.248	.186	.186
	Rpm		2850	2850	2850	2850	2850	2850	2850	2850
60Hz	Volts		115	230	230	460	115	230	230	460
	Watts		452	452	425	425	452	452	425	425
	Amps		4.4	2.2	1.2	.6	4.4	2.2	1.2	.6
	Hp		1/3	1/3	1/3	1/3	1/3	1/3	1/3	1/3
	Rpm		3450	3450	3450	3450	3450	3450	3450	3450
Electrical Connection			Conduit Box		Conduit Box		Conduit Box		Conduit Box	
Overall Pump Dimensions (Inches)	Height		7.79		7.34		7.79		7.34	
	Width		7.65		9.24		7.65		9.24	
	Length		14.25		15.07		14.25		15.07	
Overall Pump Dimensions (cm)	Height		19.7		18.6		19.7		18.6	
	Width		19.4		23.4		19.4		23.4	
	Length		36.1		38.2		36.1		38.2	



NOTE: When attaching the Drive Magnet Assembly (item 16) to the motor shaft, position the face of the Drive Magnet Assembly flush with the face of the Motor Bracket (item 17).

REPAIR PARTS LIST

ITEM	DESCRIPTION	MATERIAL	QTY	PART #	TE-5.5C-MD	TE-5.5K-MD	TE-5.5S-MD
1	Screw (Truss Hd) #10-32 x 1"Lg	Stainless	8	0135-0180-1000	S	S	
2	Screw #10-32 x 1-1/8"Lg	Stainless	8	0135-0181-1000			S
3	Lock Washer #10	Stainless	8	0151-0016-1000			S
4	Front Housing	Polypropylene	1	0151-0027-1000	S		
5	Front Housing	Kynar	1	0151-0044-1000		S	
6	Front Housing	316 Stainless Steel	1	0151-0002-0000			S
7A	"O" Ring	Viton	1	0153-0015-1000	S	S	S
7B	"O" Ring	Viton/Teflon	1	0153-0024-1000	O	O	O
8	Thrust Washer	Ceramic	1	0155-0009-1000	S	S	S
9	Shaft	Ceramic	1	0153-0007-1000	S	S	S
10A	Impeller Assembly	Polypropylene	1	0151-0029-0500	S		O
10B	Impeller Assembly w/Carbon Bushing	Polypropylene/Carbon	1	0151-0029-0800	O		O
10C	Impeller Assembly w/Mica Teflon Bushing	Polypropylene/Teflon	1	0151-0029-1300	O		O
11A	Impeller Assembly	Kynar	1	0151-0046-0300		S	O
11B	Impeller Assembly w/Carbon Bushing	Kynar/Carbon	1	0151-0046-0500		O	O
11C	Impeller Assembly w/Mica Teflon Bushing	Kynar/Teflon	1	0151-0046-1100		O	O
12A	Impeller Assembly w/Carbon Bushing	316 St'less/Carbon	1	0151-0001-0400			S
12B	Impeller Assembly w/Mica Teflon Bushing	316 St'less/Teflon	1	0151-0001-0800			O
13	Rear Housing w/Thrust Washer	Polypropylene/Ceramic	1	0151-0028-0100	S		
14	Rear Housing w/Thrust Washer	Kynar/Ceramic	1	0151-0045-0100		S	
15	Rear Housing	316 Stainless Steel	1	0151-0003-0000			S
16	Drive Magnet Assembly		1	0151-0061-0200	S	S	S
17	Motor Connecting Bracket		1	0151-0014-0100	S	S	S
18	Screw 3/8-16 x 3/4"Lg	Stainless	4	0155-0017-1000	S	S	S
19	Washer 3/8 I.D. x 5/8 O.D.	Stainless	4	0155-0019-1000	S	S	S
20A	Motor - 115/230 Volt, 50/60 Hz, 1 Phase		1	0151-0015-1000	S	S	S
20B	Motor - 230/460 Volt, 50/60 Hz, 3 Phase (Not Shown)		1	0151-0039-1000	S	S	S
W1	Wet End Kit (Items: 1, 4, 7A, 8, 9, 10A, 13)	See Individual Items	1	0151-0069-0100	S		
W2	Wet End Kit (Items: 1, 5, 7A, 8, 9, 11A, 14)	See Individual Items	1	0151-0070-0100		S	

NOTE: Contact Factory for other materials and/or parts not listed.

Legend: S = Standard, O = Optional

MATERIALS IN CONTACT WITH SOLUTION:

For TE-5.5C-MD: Polypropylene, Viton, Ceramic
 For TE-5.5K-MD: Kynar/Carbon Filled, Viton, Ceramic
 For TE-5.5S-MD: 316 Stainless Steel, Viton, Ceramic, Carbon

LIMITED WARRANTY:

March pumps are guaranteed only against defects in workmanship or materials for a period of one year from date of manufacture pumping water. On all other solutions, contact the factory for application assistance. March Pump Application Worksheet 0750-0130-1000 is available for additional warranty information.