

BRONZE CLOSE COUPLED CENTRIFUGAL PUMP

MODEL
170M



OBERDORFER PUMPS
A Subsidiary of Thomas Industries Inc.

PIPE SIZE: INLET 3/4", OUTLET 3/4"(OPTION 1/2")



FEATURES

- Rugged corrosion resistant bronze construction
- Compact and light
- Buna Lip Seal STD
 - Optional Viton lip
- TEFC Motors with corrosion resistant passivated 316 SS Shafts
 - 1/10 HP permanent Magnet 12V, 24V, 32V DC Motors
 - Rubber base grommets for vibration dampening
 - Insulated leads
 - 1/13 HP Permanent Magnet 12V DC Motor (A95)
- Ideal for:
 - Marine Air Conditioning
 - Engine Block Temperature Control
 - Radiator and Heat Exchanger Circulation
 - Baitwell Circulation

SEAL

The lip seal is Buna N with a stainless steel spring reinforcement on a stainless steel motor shaft. The seal is friction press fit in a machined housing counterbore. Excessive system pressures above 15 PSI are not recommended as the seal could be forced out of the pump housing.

LIQUIDS

One of the outstanding features of this pump and motor unit is its compact size. Although small, adequate motor

power is available for pumping water, water solutions, and a wide range of commercial chemicals. Questions about the chemical compatibility of special liquids should be referred to the factory.

Viscous liquids with a maximum viscosity of 2000 Saybolt Seconds Universal can be pumped. However, when pumping viscous liquids (as compared with water) a reduction in flow and pressure occurs and the required horsepower increases.

Liquids heavier than water require additional horsepower in direct proportion to the increase in specific gravity.

CHARACTERISTICS

These Oberdorfer centrifugal pumps have a single open vane rotating impeller. Liquid enters at the center and is thrown outward radially by centrifugal force. The impeller is not in contact with other pump parts resulting in quiet, efficient pumping action. The flow produced is not positive which permits the discharge line to be shut off completely without danger of overloading motors or bursting lines. Consequently, a relief valve is not required.

These pumps are not self-priming. They must be installed below the liquid level so that the liquid flows to the pump by gravity (flooded suction).

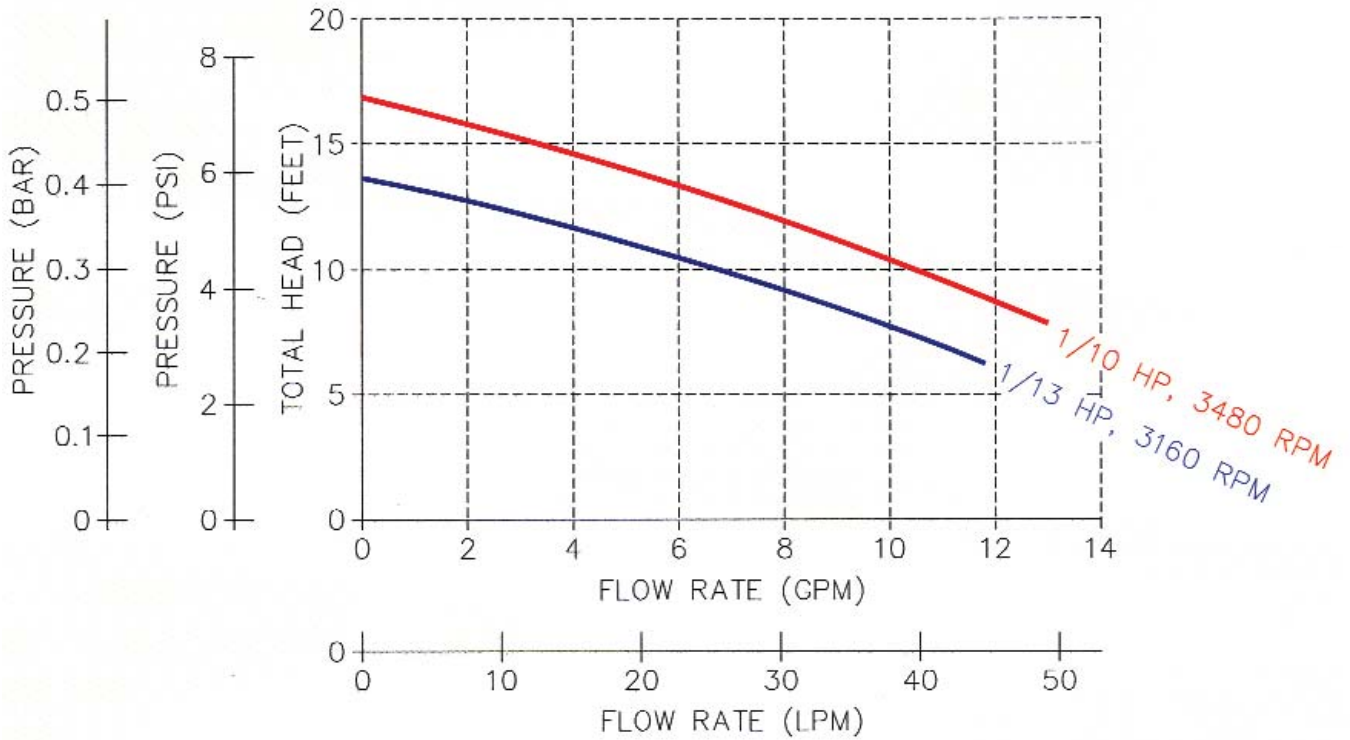
The flow of these pumps can be conveniently controlled by a throttling valve in the discharge line. Horsepower demand will decrease as the pressure increases. Maximum horsepower occurs with a wide open discharge.

*Viton® is a registered trademark of DuPont Dow Elastomers. Viton® or equivalent FKM will be used.

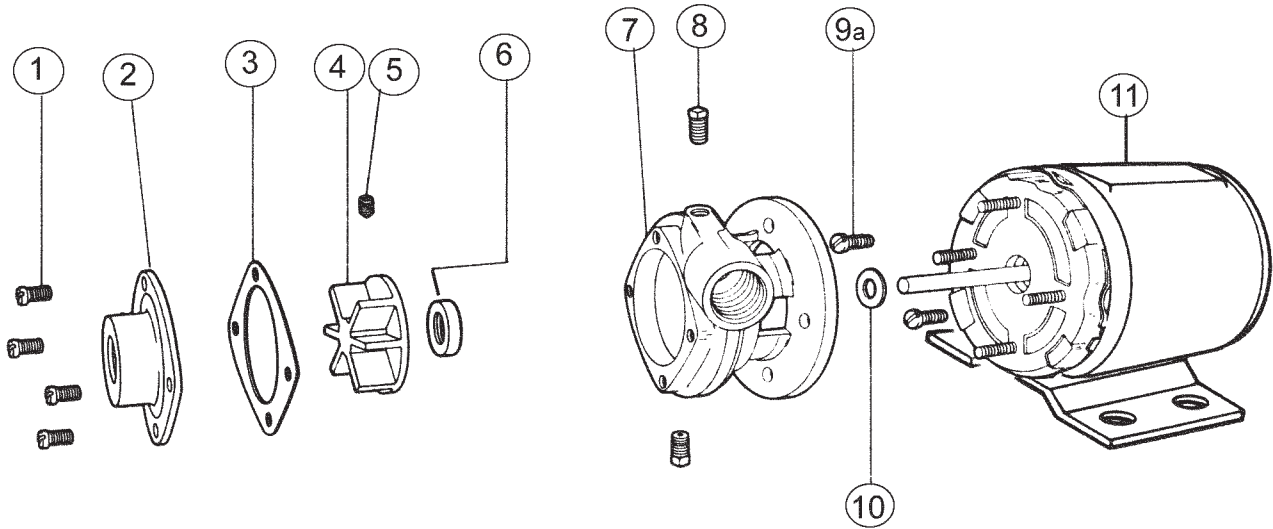
PERFORMANCE

Capacity - Water at 70°F

KEY	
—	170M-A81/A82
—	170M-A95



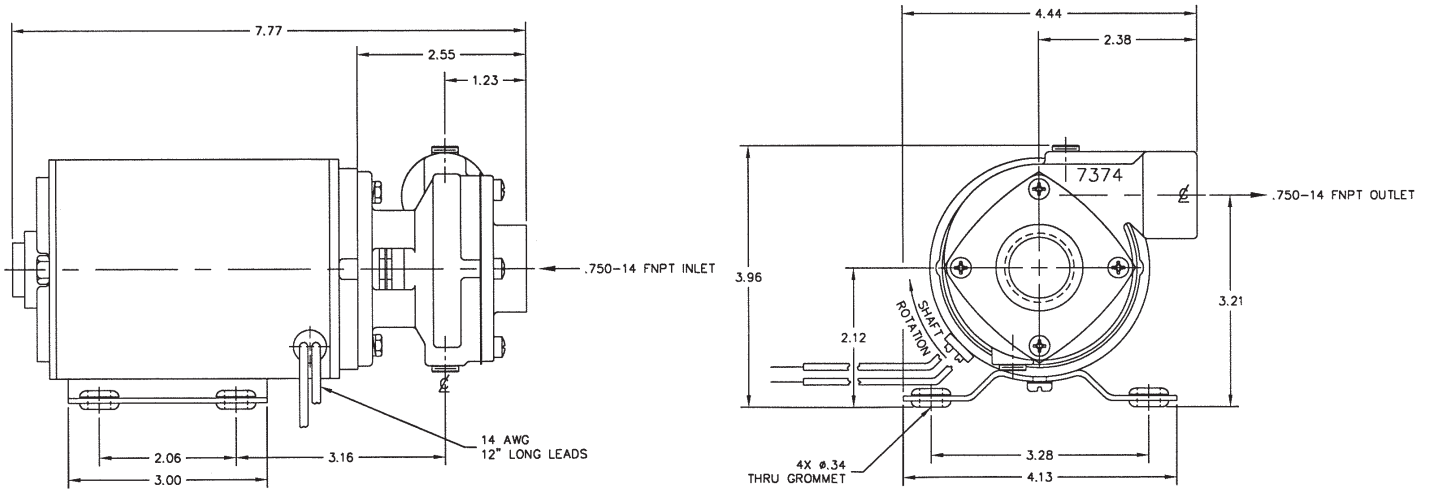
EXPLODED VIEW AND PARTS LIST



Pump #	Config	1	2	3*	4*	5*	6*	7	8	9a	9b	10	11	12	Repair Kit *	
		Screw	Cover	Gasket	Impeller	Set Screw	Lip Seal	Body	Plug	Screw	Lockwasher	Slinger	Motor	Grommet		
		4 Req'd	1 Req'd	1 Req'd	1 Req'd	1 Req'd	1 Req'd	1 Req'd	2 Req'd	2 Req'd	2 Req'd	1 Req'd	1 Req'd	4 Req'd		
170M	Std Buna Lip	5385	7375	7020	7678	6079	6647	7374	6052						10911	
170MS5	Viton Lip	5385	7375	7020	7678	6079	9986	7374	6052						10912	
	Motor #	Config														
	A81	1/10 HP, 3480 RPM, 12 VDC, TEFC									7424	5656	6651	9950	6650	
	A82	1/10 HP, 3480 RPM, 24 VDC, TEFC									7424	5656	6651	9949	6650	
	A87	1/10 HP, 3480 RPM, 32 VDC, TEFC									7424	5656	6651	8103	6650	
	A95	1/13 HP, 3160 RPM, 12 VDC, TEFC									7424	5656	6651	9985	-----	

DIMENSIONS

170M'S WITH A81 OR A82 MOTOR



170M'S WITH A95 MOTOR

