

BRONZE OR ALUMINUM SELF-PRIMING CENTRIFUGAL PUMP

PIPE SIZE 1"



BRONZE

Pump No.	Material
300B	Bronze with stainless steel shaft, Single Phase
300B-01	Bronze with Monel shaft, Single Phase

FEATURES

- Self-Priming to 20 Feet Suction Lift
- Rugged Bronze Construction
- Ideal for marine service (air conditioning, bilge, and sea water recirculating).
- O-Ring Housing seal eliminates gasket problems
- Auxiliary Connections - for convenient priming and draining
- Multiple Mechanical Shaft Seal Options -for various applications
- Pump Heads mount to Standard Footed Nema 56J Jet Pump Motors
 - Shafts : 416 Stainless, Monel, or 316 Passivated Stainless
 - Multiple motor options including Explosion Proof
- For Pedestal Style, see 30PB
- Optional Lifting Handle

Up to 22 gallons per minute water flow and suction lift of 15 feet without a foot or check valve (25 foot suction lift using a foot or check valve and a filled inlet line). A 1/2" pipe plug on the tank top is for initial filling of priming chamber and inlet line-- pump priming is automatic thereafter. Pump seal is mechanical carbon face type mated to ceramic wear face for maximum durability. Other seal components are made of Buna N with low swell characteristics for compatibility with a wide range of liquids including many chemicals and solvents. These pump models are widely used for the pumping of Perchloroethylene. **Must be operated in the horizontal position. (As shown in picture)**

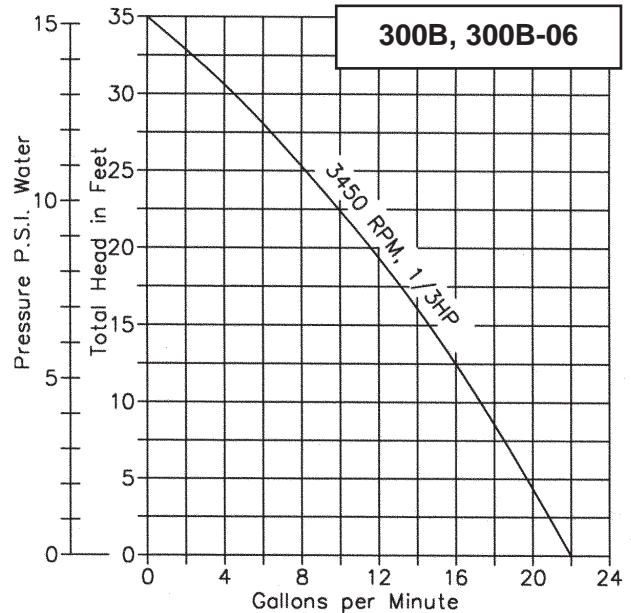
SEAL OPTIONS

Note: Seal and shaft modifications below are not physically interchangeable. See parts table (rear).

Viton® A Solvent Mechanical Seal: Mechanical seal for oils, fuels, lubricants, most mineral acids, and many solvents that attack other rubbers such as Carbon Tetrachloride, toluene, benzene, and xylene.

Teflon® Mechanical Seal: For virtually all industrial chemicals, corrosives and solvents - as limited by compatibility of basic pump metal of construction.

CAPACITY - Water 60° F - Gallons Per Minute at zero lift



Capacity - Water 60° F - Gallons Per Minute
Maximum lift without foot valve is 10 feet.

Discharge Pressure		3450 RPM Suction Lift				
Feet	Equiv. P.S.I.	0 Ft.	5 Ft.	10 Ft.	15 Ft.	20 Ft.
0	0	22	20	17	14	10
5	2.2	20	17	14	10	5
10	4.3	17	14	10	5	---
15	6.5	14	10	5	---	---
20	8.7	10	5	---	---	---
25	10.8	5	---	---	---	---
30	13.0	3	---	---	---	---
35	15.2	1	---	---	---	---

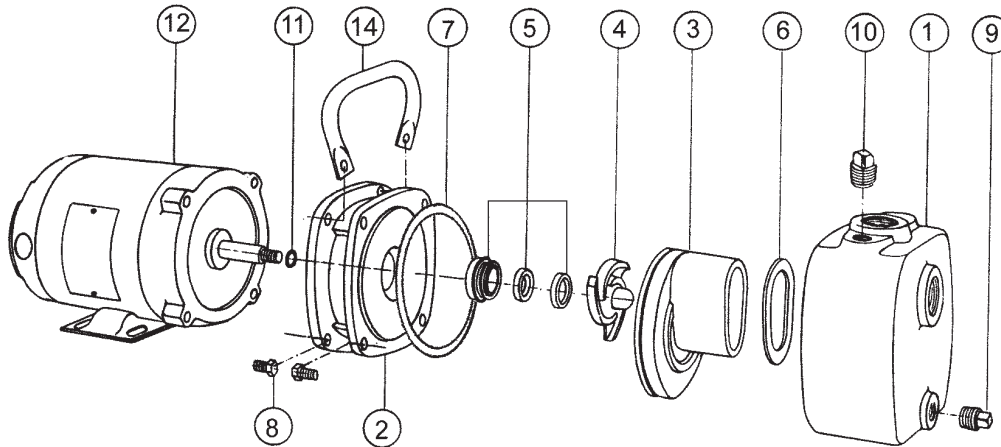
Pump Head	Style	Materials					Typical Applications
		Head			Seat		
		Type	Face	Case	Elastomer	Face	
300B-06	16 or 2100	Silicon Carbide	Passivated 316 SS	BUNA	Silicon Carbide	BUNA	Ocean water with fine abrasives
300B	6A	Carbon	Passivated 316 SS	BUNA	Ceramic	BUNA	Non-Potable fresh water, salt water, ethylene glycol
300B S10	6A	Carbon	18-8 SS	VITON	Ceramic	VITON	Solvents *
300B S11	9A	Carbon	18-8 SS	TEFLON	Ceramic	VITON	Industrial chemicals *

Notes: * Fluids compatibly suitable for use with Bronze

* Viton® is a trademark of DuPont Dow Elastomers. Viton® or equivalent FKM will be used.
Teflon® is a trademark of DuPont. Teflon or equivalent PTFE will be used.

BRONZE OR ALUMINUM SELF-PRIMING CENTRIFUGAL PUMP

PARTS LIST AND EXPLODED VIEW



Item #13 - Impeller set screw for 3 phase motors only, is not shown.

	1	2	3	4*	5*	6*	7*	8	9	10	11*	12	13*	14**	Repair Kit *
	Body	Adapter	Diffuser	Impeller	Seal Assy.	Gasket-Diffuser	O-ring	Screw	Plug	Plug	Shim	Motor	Set Screw	Handle	
	1 Req'd	1 Req'd	1 Req'd	1 Req'd	1 Req'd	1 Req'd	1 Req'd	8 Req'd	1 Req'd	1 Req'd	1 Req'd	1 Req'd	1 Req'd	1 Req'd	
300B	7190	7191	7192	7193	32155	6021-09	9797-157	5411	7321	7443	6025	----	----	----	10865
300B-06	7190	7191-1	7192	7193-1	33226	6021-09	9797-157	5411	7321	7443	6025	----	----	----	10867
300BP	7190	7191	7192	7200	32155	6021-09	9797-157	5411	7321	7443	6025	----	9849	----	10866
300B S10	7190	7191	7192	7193	32210	2271	9797-157	5411	7321	7443	6025	----	----	----	11290
300B S11	7190	7314	7192	7193	32211	2271	9355-157S	5411	7321	7443	6025	----	----	----	11604

* Repair kit includes these items (and 6022 body gasket for older models)

** Optional handle (part # 7766)

PUMP & MOTOR OPTIONS

These are the most frequently used pump and motor combinations. if you have other needs, our sales reps can recommend a pump and motor for your application.

Pump No.	HP	SF	Enclosure	Phase	Voltage	Shaft Construction	Motor Item 12
300B-F13	1/3	1.75	ODP	single	115	416	5859
300B-01F26	1/3	1.75	ODP	single	115 / 230	monel	32273
300B-F17	1/3	1.75	ODP	single	115 / 230	316 passivated	3032
300B-F21	1/3	1.75	XP	single	115 / 230	416	8214
300BP01F65	1/3	1.75	ODP	three	208 230 / 460	monel	32355
300BP-F57	1/3	1.75	ODP	three	208 230 / 460	416	6996

Pump No.	HP	SF	Enclosure	Phase	Voltage	Shaft Construction	Motor Item 12
300P-J57	1/2	1.60	ODP	three	230 / 460	416	6998
300B-J20	1/2	1.65	TEFC	single	115 / 230	416	7976
300-J20	1/2	1.65	TEFC	single	115 / 230	416	7976
300B-01J26	1/2	1.65	ODP	single	115 / 230	monel	32332
300B-J24	1/2	1.65	ODP	single	115 / 230	316 passivated	3031
300B-J89	1/2	1.00	TENV	DC	12V	416	2386
300BP-M58	3/4	1.15	TEFC	three	230 / 460	416	7967

DIMENSIONS

