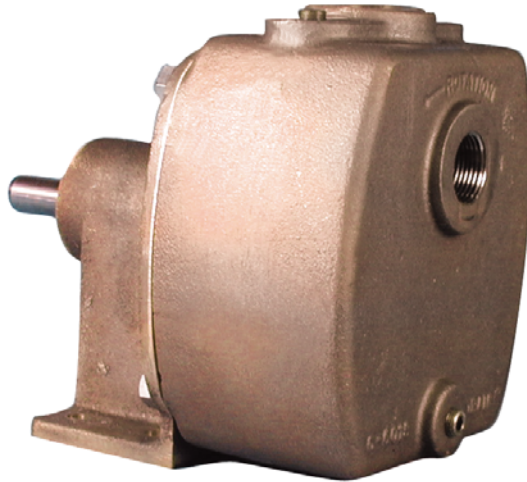


BRONZE OR ALUMINUM SELF-PRIMING CENTRIFUGAL PUMPS

PIPE SIZE 1



DESCRIPTION

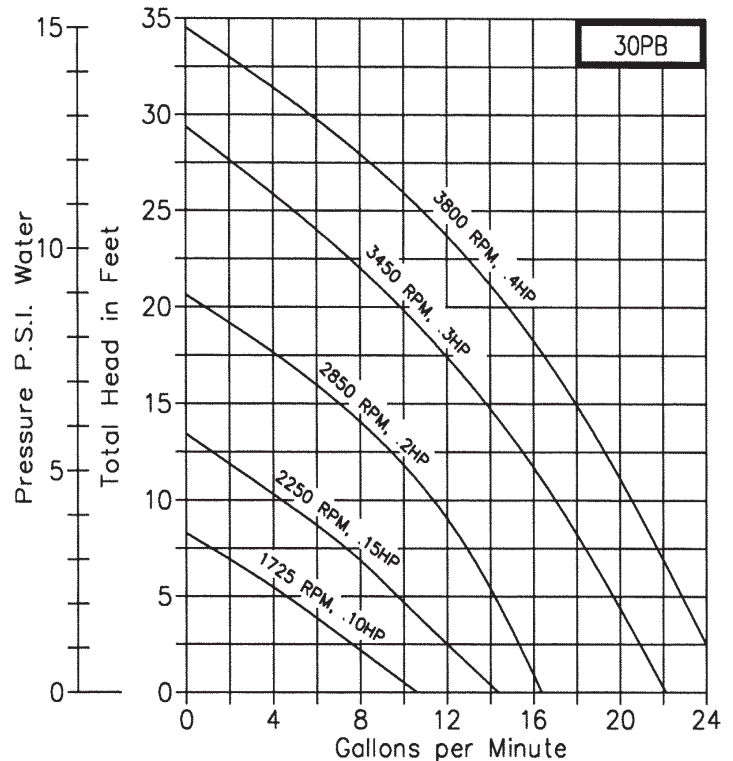
Pump	Material
30PB	Bronze with Stainless Steel Shaft

FEATURES

- Self-Priming to 20 Feet Suction Lift
- Rugged Bronze Construction
- Heavy Duty Ball Bearings Suitable for Pulley Drive Applications
- Bronze Models with Monel Shaft (30PB-1) Ideal for Marine Service. (Air Conditioning, Bilge, and Sea Water Recirculating)
- Can Handle Most Difficult Solvents with Proper Seal Arrangement, Viton(R)* (S10) or Teflon(R)* (S11) available.
- Body O-ring eliminates gasket problems

Up to 22 gallons per minute water flow and suction lift of 15 feet without a foot or check valve (25 foot suction lift using a foot or check valve and a filled inlet line). A 1/2" pipe plug on the tank top is for initial filling of priming chamber and inlet line--pump priming is automatic thereafter. Pump seal is mechanical carbon face type mated to ceramic wear face for maximum durability. Other seal components are made of Buna N with low swell characteristics for compatibility with a wide range of liquids including many chemicals and solvents. These pump models are widely used for the pumping of Perchloroethylene. **Must be operated in the horizontal position. (As shown in picture)**

Capacity - Water 60° F - Gallons Per Minute



Capacity - Water 60°F - Gallons Per Minute

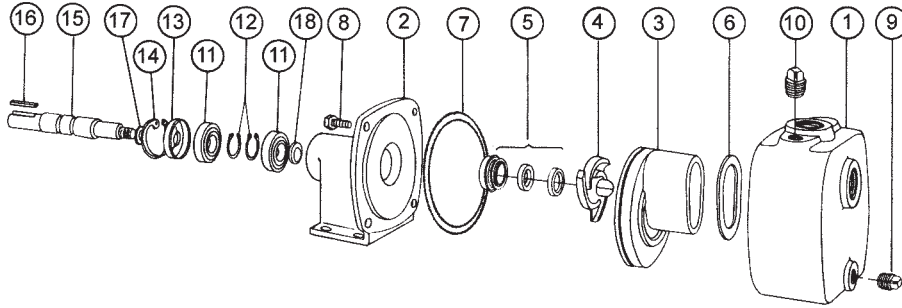
Maximum lift without foot valve is 10 feet.

Discharge Pressure	Equiv. P.S.I.	3450 RPM Suction Lift				
		0 Ft.	5 Ft.	10 Ft.	15 Ft.	20 Ft.
0	0	22	20	17	14	10
5	2.2	20	17	14	10	5
10	4.3	17	14	10	5	---
15	6.5	14	10	5	---	---
20	8.7	10	5	---	---	---
25	10.8	5	---	---	---	---
30	13.0	3	---	---	---	---
35	15.2	1	---	---	---	---

*Viton® is a registered trademark of DuPont Dow Elastomers. Viton® or FKM equivalent will be used.
Teflon® is a registered trademark of DuPont. Teflon® or equivalent PTFE will be used.

BRONZE OR ALUMINUM SELF-PRIMING CENTRIFUGAL PUMPS

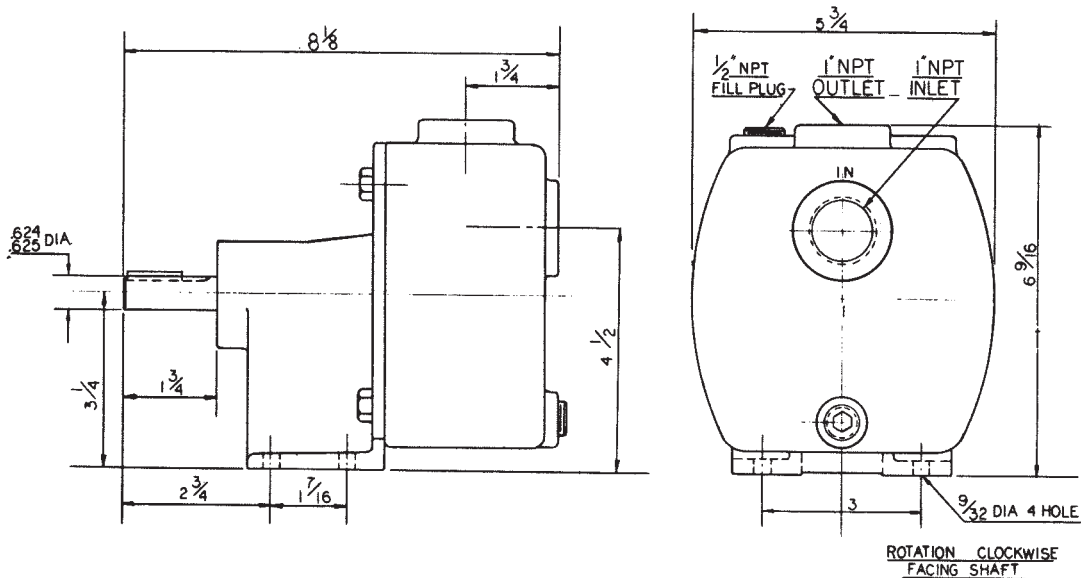
EXPLODED VIEW AND PARTS LIST



Pump No.	1	2	3	4 ¹	5 ¹	6 ¹	7 ¹	8	9	10	11	12	13	14	15	16	17	18	Repair Kit	
	Body	Pedestal	Diffuser	Impeller	Seal Assy.	Gasket Diffuser	Gasket Flange	Screw	Plug	Plug	Ball Bearing	Ret. Ring	Lip Seal	Ret. Ring	Shaft	Key	Shim	Slinger		
	1 Req'd	1 Req'd	1 Req'd	1 Req'd	1 Req'd	1 Req'd	1 Req'd	4 Req'd	1 Req'd	1 Req'd	2 Req'd	2 Req'd	1 Req'd	1 Req'd	1 Req'd	1 Req'd	1 Req'd	1 Req'd	1 Req'd	
30PB	7190	7445	7192	7193	32155	6021	6022	5411	7321	7443	5928	5926	6609	5925	7037	6567	6025	7447	10865	

¹ Items 4, 5, 6, & 7 are included in the Repair Kit.

DIMENSIONS



SEAL OPTIONS - (Note: Seal and shaft modifications below are not physically interchangeable. Consult factory for modification data.)

Viton® A Solvent Mechanical Seal: Mechanical seal for oils, fuels, lubricants, most mineral acids, and many solvents that attack other rubbers such as Carbon Tetrachloride, toluene, benzene, and xylene.

Teflon® Mechanical Seal: For virtually all industrial chemicals, corrosives and solvents - as limited by compatibility of basic pump metal of construction.

*Viton® is a registered trademark of DuPont Dow Elastomers. Viton® or FKM equivalent will be used.
Teflon® is a registered trademark of DuPont. Teflon® or equivalent PTFE will be used.
Specifications are subject to change without notice.