

BRONZE OR ALUMINUM SELF-PRIMING CENTRIFUGAL PUMPS



OBERDORFER PUMPS
A Subsidiary of Thomas Industries Inc.

MODELS
30P
30PB

PIPE SIZE 1



DESCRIPTION

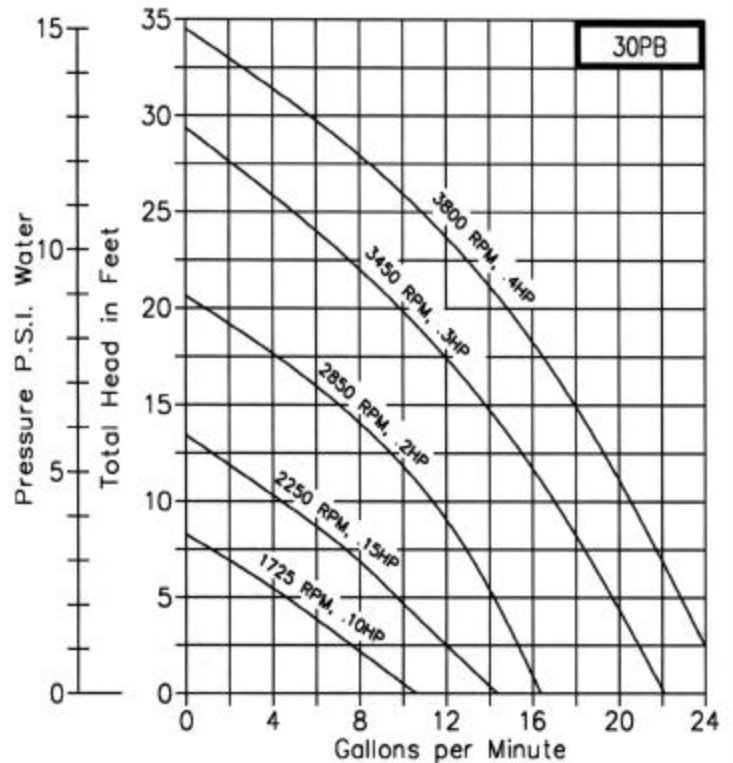
Pump	Material
30P	Aluminum with Stainless Steel Shaft
30PB	Bronze with Stainless Steel Shaft

FEATURES

- n Self-Priming to 20 Feet Suction Lift
- n Available All Bronze or Corrosion Resistant Aluminum
- n Heavy Duty Ball Bearings Suitable for Pulley Drive Applications
- n Bronze Models with Monel Shaft (30PB-1) Ideal for Marine Service. (Air Conditioning, Bilge, and Sea Water Recirculating)
- n Can Handle Most Difficult Solvents with Proper Seal Arrangement, Viton(R)* (S10) or Teflon(R)* (S11) available.

Up to 22 gallons per minute water flow and suction lift of 15 feet without a foot or check valve (25 foot suction lift using a foot or check valve and a filled inlet line). A 1/2" pipe plug on the tank top is for initial filling of priming chamber and inlet line--pump priming is automatic thereafter. Pump seal is mechanical carbon face type mated to ceramic wear face for maximum durability. Other seal components are made of Buna N with low swell characteristics for compatibility with a wide range of liquids including many chemicals and solvents. These pump models are widely used for the pumping of Perchloroethylene. **Must be operated in the horizontal position. (As shown in picture)**

Capacity - Water 60° F - Gallons Per Minute



Capacity - Water 60°F - Gallons Per Minute

Maximum lift without foot valve is 10 feet.

Discharge Pressure		3450 RPM Suction Lift				
Feet	Equiv. P.S.I.	0 Ft.	5 Ft.	10 Ft.	15 Ft.	20 Ft.
0	0	22	20	17	14	10
5	2.2	20	17	14	10	5
10	4.3	17	14	10	5	---
15	6.5	14	10	5	---	---
20	8.7	10	5	---	---	---
25	10.8	5	---	---	---	---
30	13.0	3	---	---	---	---
35	15.2	1	---	---	---	---

*Viton(R) is a registered trademark of DuPont Dow Elastomers. Viton(R) or FKM equivalent will be used.
Teflon(R) is a registered trademark of DuPont. Teflon(R) or equivalent PTFE will be used.

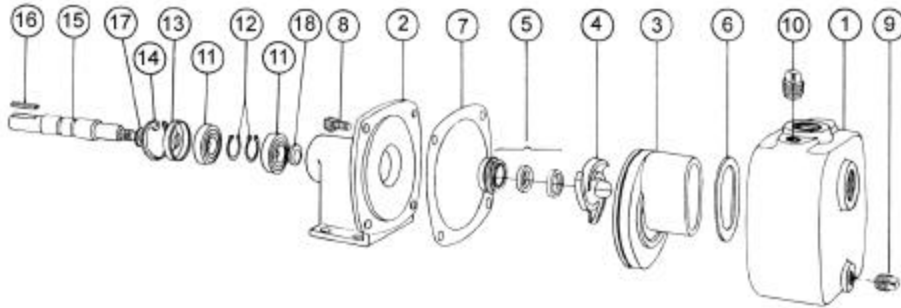
MODELS
30P
30PB

BRONZE OR ALUMINUM SELF-PRIMING CENTRIFUGAL PUMPS



OBERDORFER PUMPS
A Subsidiary of Thomas Industries Inc.

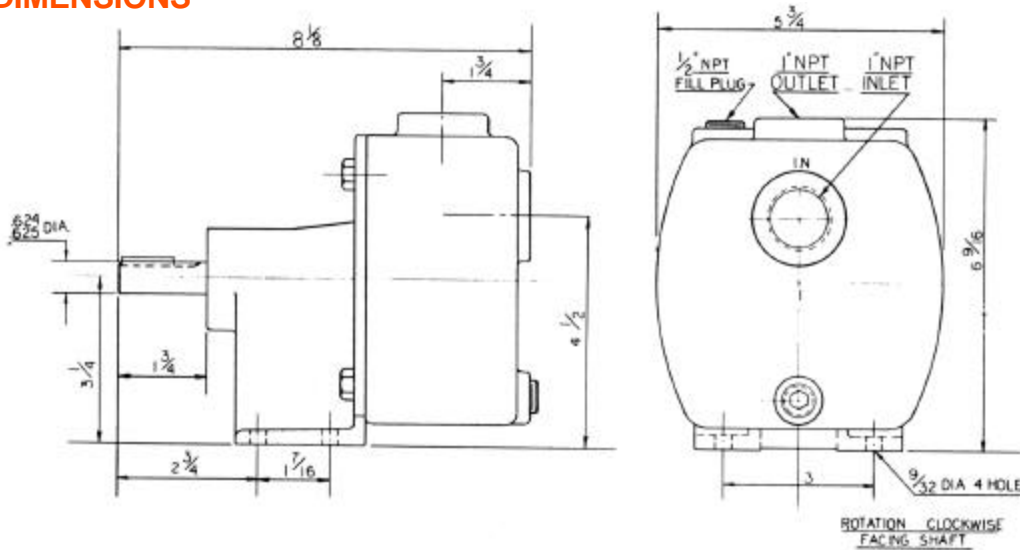
EXPLODED VIEW AND PARTS LIST



Pump No.	1	2	3	4 ¹	5 ¹	6 ¹	7 ¹	8	9	10	11	12	13	14	15	16	17	18	Repair Kit
	Body	Pedestal	Diffuser	Impeller	Seal Assy.	Gasket Diffuser	Gasket Flange	Screw	Plug	Plug	Ball Bearing	Ret. Ring	Lip Seal	Ret. Ring	Shaft	Key	Shim	Slinger	
	1 Req'd	1 Req'd	1 Req'd	1 Req'd	1 Req'd	1 Req'd	1 Req'd	4 Req'd	1 Req'd	1 Req'd	2 Req'd	2 Req'd	1 Req'd	1 Req'd	1 Req'd	1 Req'd	1 Req'd	1 Req'd	
30P	6015	7465	6017	6006	32155	6021	6022	5411	6440	6441	5928	5926	6609	5925	7037	6567	6025	7447	10791
30PB	7190	7445	7192	7193	32155	6021	6022	5411	7321	7443	5928	5926	6609	5925	7037	6567	6025	7447	10865

¹ Items 4, 5, 6, & 7 are included in the Repair Kit.

DIMENSIONS



SEAL OPTIONS - (Note: Seal and shaft modifications below are not physically interchangeable. Consult factory for modification data.)

Viton (R)* A Solvent Mechanical Seal: Mechanical seal for oils, fuels, lubricants, most mineral acids, and many solvents that attack other rubbers such as Carbon Tetrachloride, toluene, benzene, and xylene.

Teflon(R)* Mechanical Seal: For virtually all industrial chemicals, corrosives and solvents - as limited by compatibility of basic pump metal of construction.

*Viton(R) is a registered trademark of DuPont Dow Elastomers. Viton(R) or FKM equivalent will be used.
Teflon(R) is a registered trademark of DuPont. Teflon(R) or equivalent PTFE will be used.
Specifications are subject to change without notice.