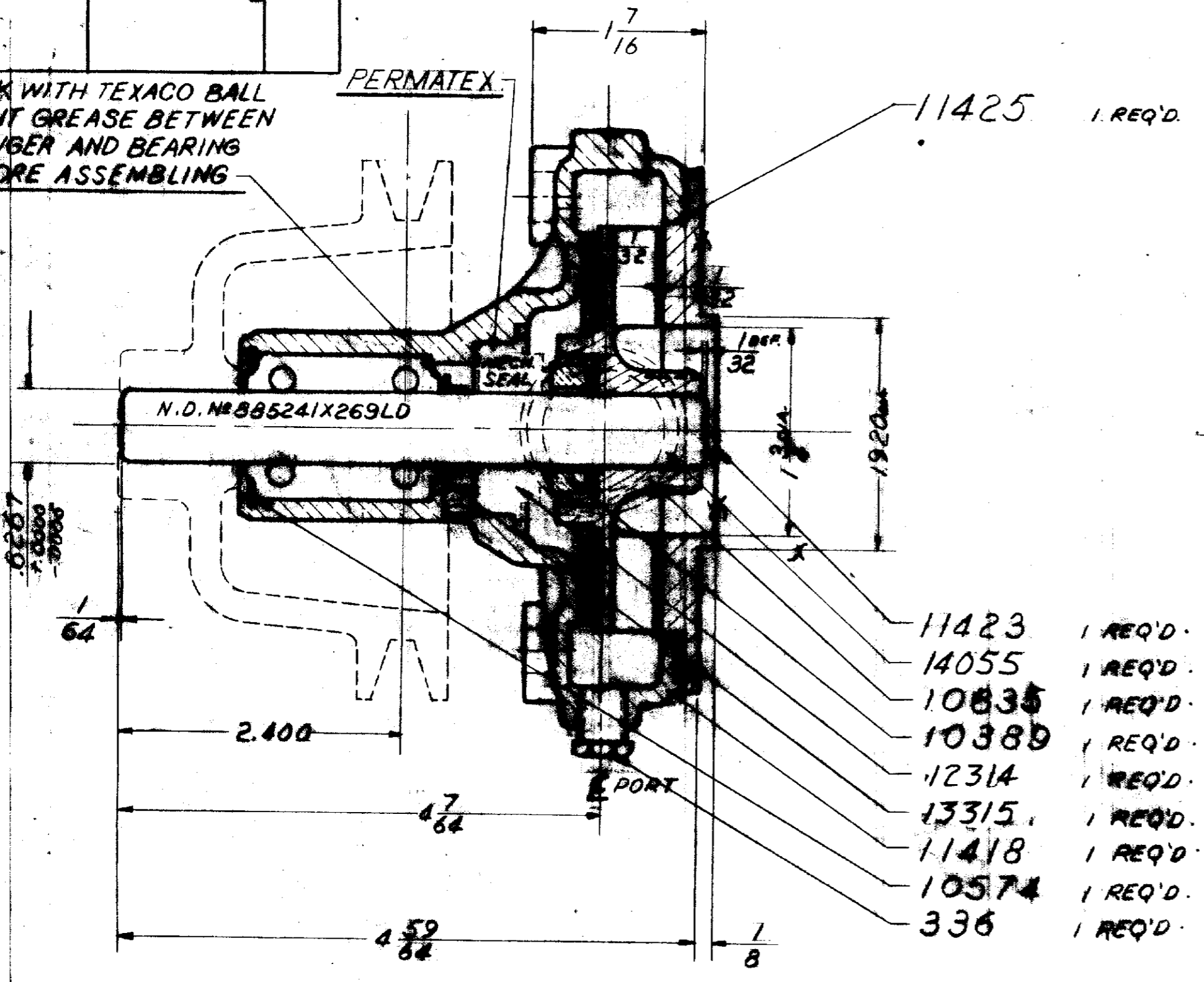


CLOCKWISE ROTATION
(VIEW FROM PULLEY END)

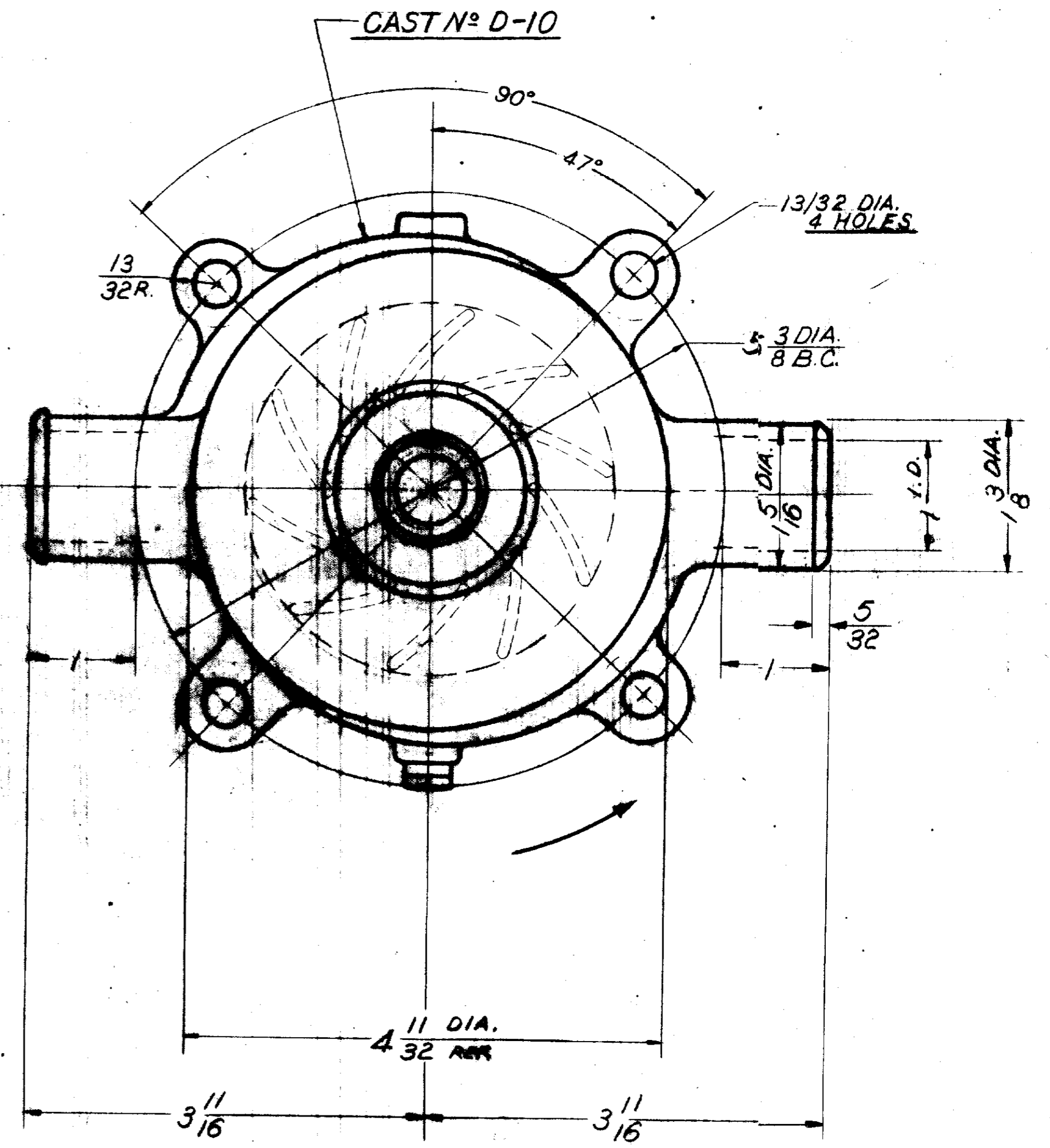
SERVICE PART NO.	COMPONENT PART NO'S	NO. REQ'D.
10577	12314	1
SEAL SEAT	10389	1

PACK WITH TEXACO BALL JOINT GREASE BETWEEN SLINGER AND BEARING BEFORE ASSEMBLING

PERMATEX



- 11425 1 REQ'D.
- 11423 1 REQ'D.
- 14055 1 REQ'D.
- 10835 1 REQ'D.
- 10389 1 REQ'D.
- 12314 1 REQ'D.
- 13315 1 REQ'D.
- 11418 1 REQ'D.
- 10574 1 REQ'D.
- 336 1 REQ'D.



CAPACITY
30 G.P.M. EACH PORT
15 P.S.I. @ 4000 R.P.M.

SHIPPING:
CARTON 17636 © 1 REQ'D
LABEL 12209 1 REQ'D
JIFFY BAG # 5 . 17653 1 REQ'D

CURVE NO. 68009

SHERWOOD
A DIVISION OF HYPRO CORPORATION
MATERIAL: SEE DETAILS

CENTRIFUGAL PUMP ASS'Y (CIRCG)		PART NO. D-10	
SCALE FULL	REQ'D.	DATE 1-10-68	
DRAWN B.R.	CHECKED A.K.B.	DATE 1-11-68	
APPROVED		REF: P-10580	

DO NOT SCALE DRAWING	REVISIONS
A CARTON & LABEL ADDED	SM 10/28/67
B 14055 WAS TIAED	
A NOTE REMOVED	

PROJECT NPACC-59