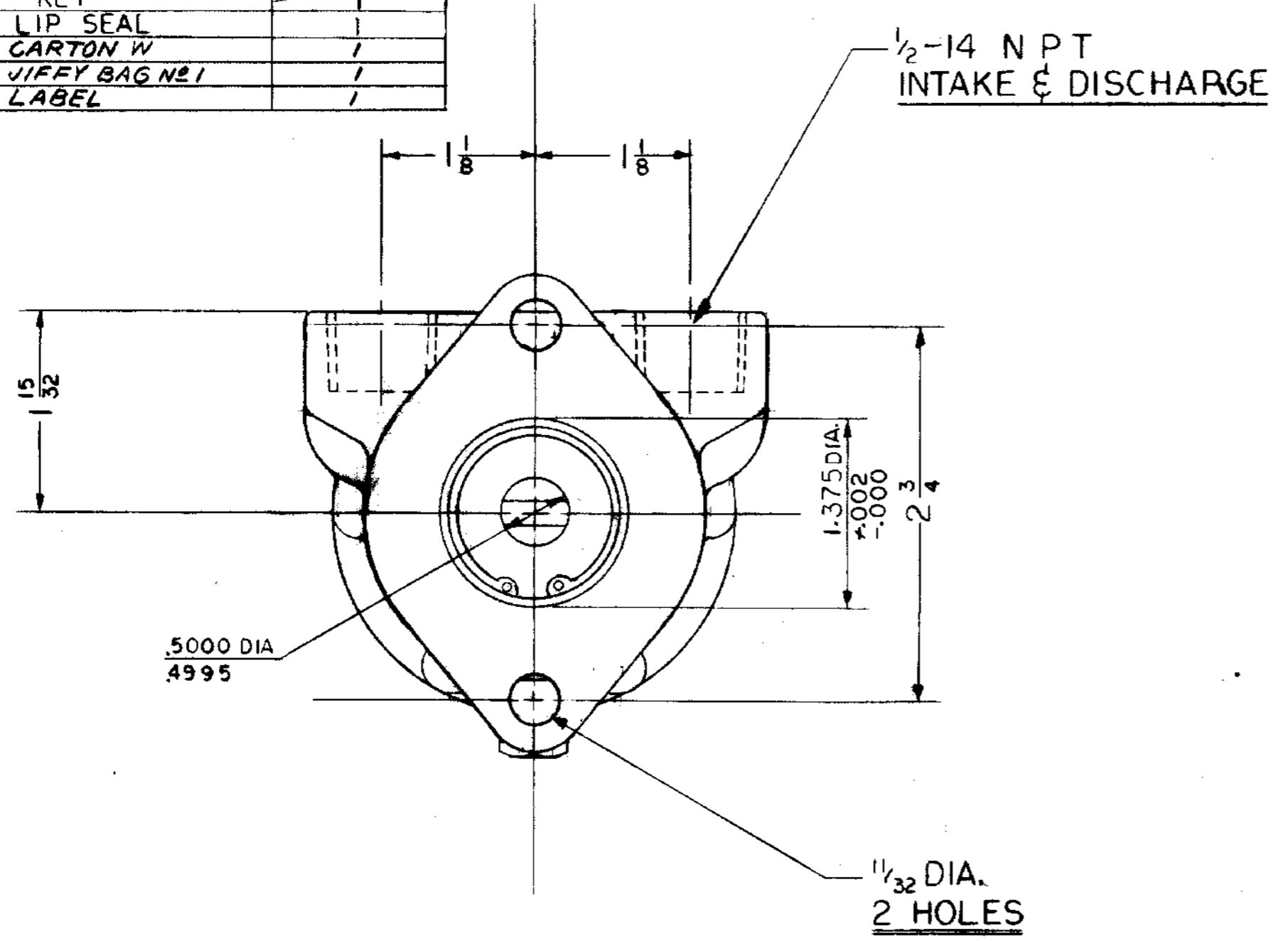
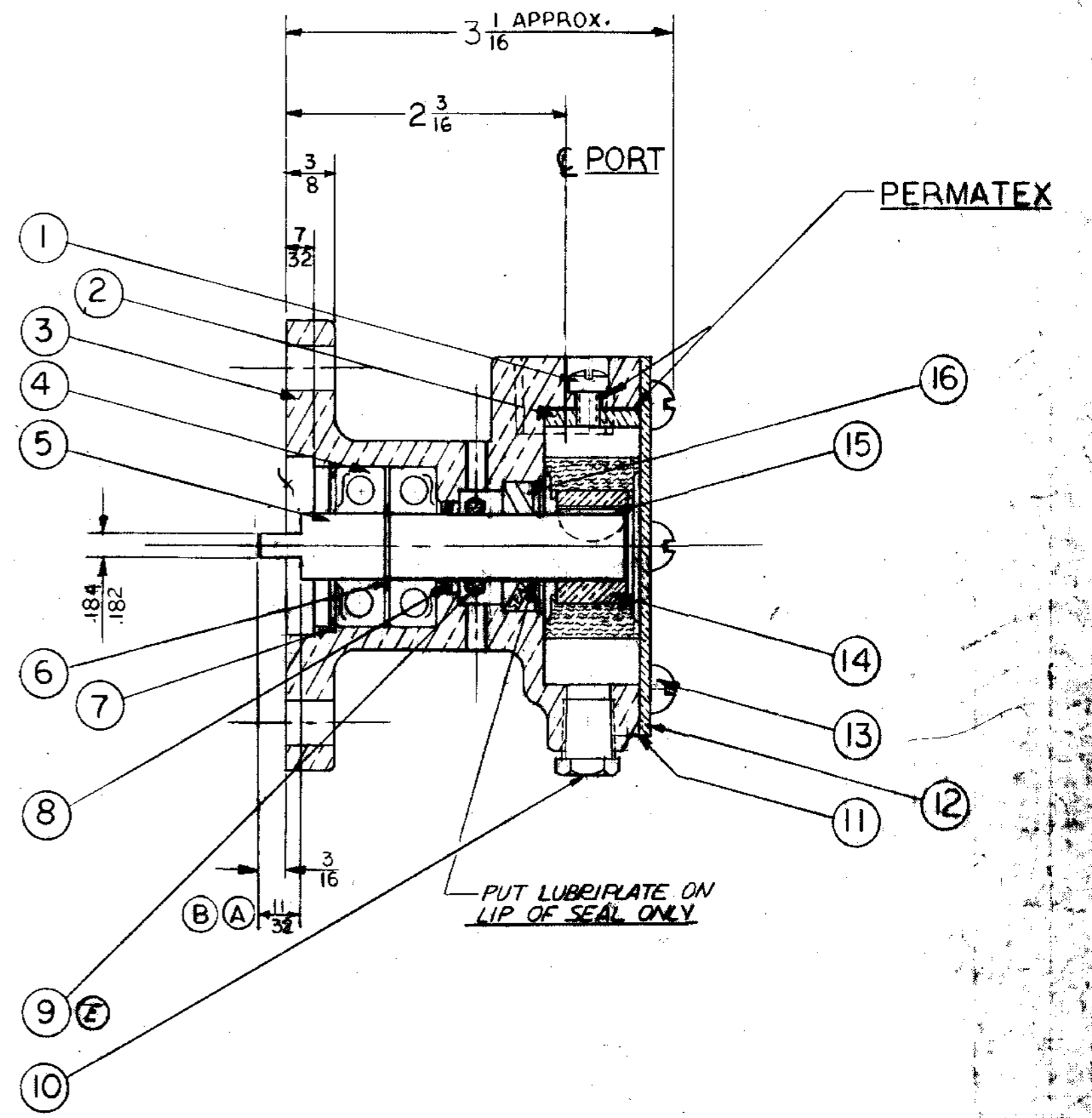


PARTS LIST				MAJOR SERVICE KIT N°11961		
ITEM	PART N°	DESCRIPTION	N° REQ'D	PART N°	DESCRIPTION	REQ'D
1	10195	SCREW		10286	GASKET	1
2	10285	IMPELLER CAM		10077	IMPELLER	1
3	11746	BODY		6236	BALL BEARING	2
4	6236	BALL BEARING	2	4304	SNAPRING	1
5	11747	SHAFT		4303	SNAPRING	1
6	4304	RETAINING RING		10859	LIP SEAL	1
7	4303	RETAINING RING		11628	LIP SEAL	1
8	10859	LIP SEAL		10148	WASHER	1
9	10148	RUBBER WASHER				
10	336	PLUG				
11	10286	GASKET				
12	10593	COVER PLATE				
13	344	SCREW	6			
14	10077	IMPELLER				
15	10093	KEY				
16	11628	LIP SEAL				
17	17636	CARTON W				
18	17611	JIFFY BAG N°1				
19	12209	LABEL				



ASSEMBLE BEARINGS WITH SEALS TO THE OUTSIDE AS SHOWN
GREASE PACK BEHIND BEARING AT SEAL LIP

CAPACITY
80 GPM. @ 3000 R.P.M.



CURVE NO. 62026R-62027R

FLDW CURVE R-30

REV.	DESCRIPTION	DATE	BY
E	10/16 WAS 3/32	5/21/74	RM
D	11628 WAS 5/16	6/7/77	RM
C	SERVICE KIT ADDED	9-25-70	T.J.
B	1/32 WAS 3/16	5-6-70	L.J.
A	5/16 WAS 3/16	2-2-70	T.J.

SHERWOOD
 A DIVISION OF HYPRO CORPORATION
 6801 E. JEFFERSON AVE. - DETROIT, MICHIGAN 48226

TITLE: **IMPELLER PUMP ASSEMBLY**

SCALE: **FULL**

RECD. **1**

DRAWN: **R.M.**

DATE: **12-4-69**

CHECKED: **R.M.**

DATE: **12-5-69**

APPROVED: **R.M.**

DATE: **12-5-69**

SEE DETAILS