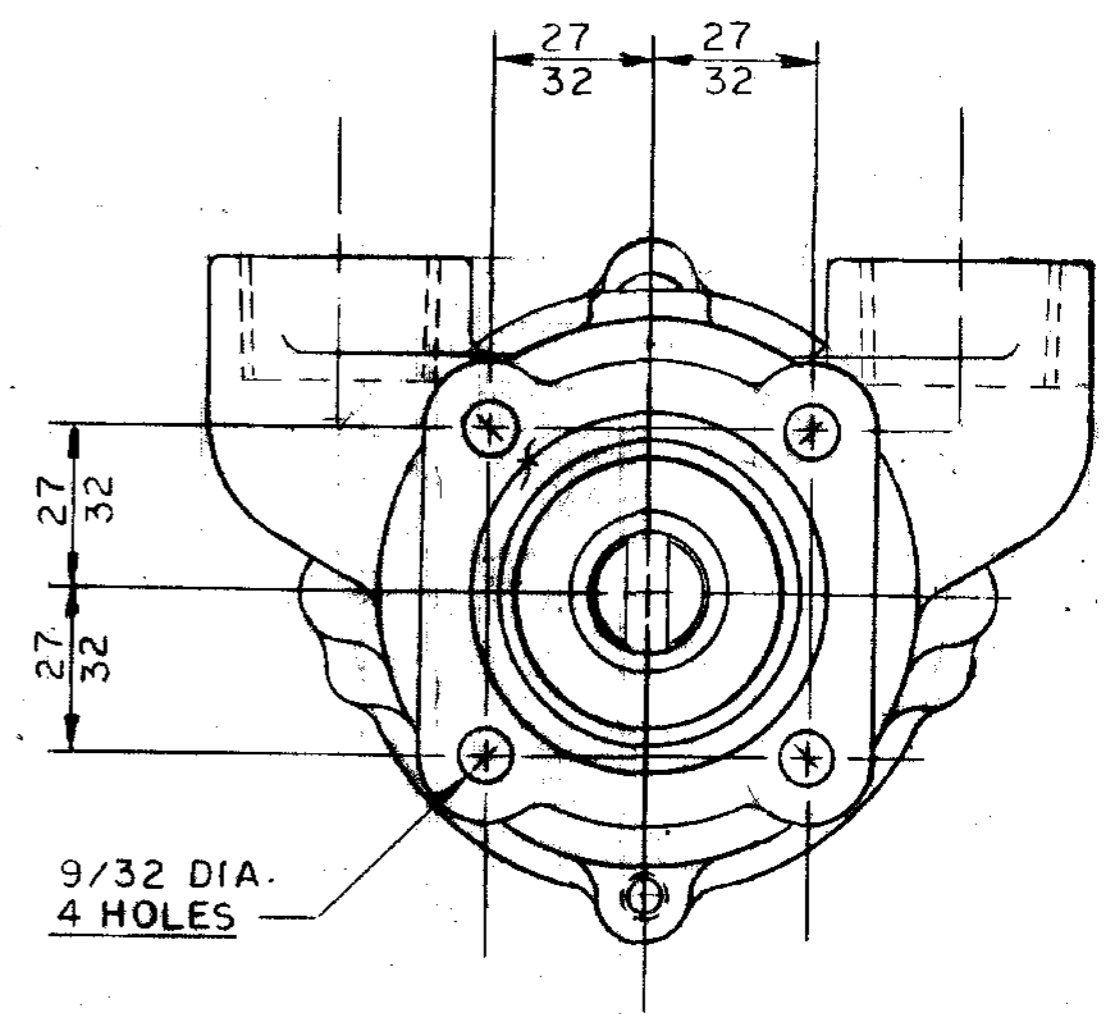
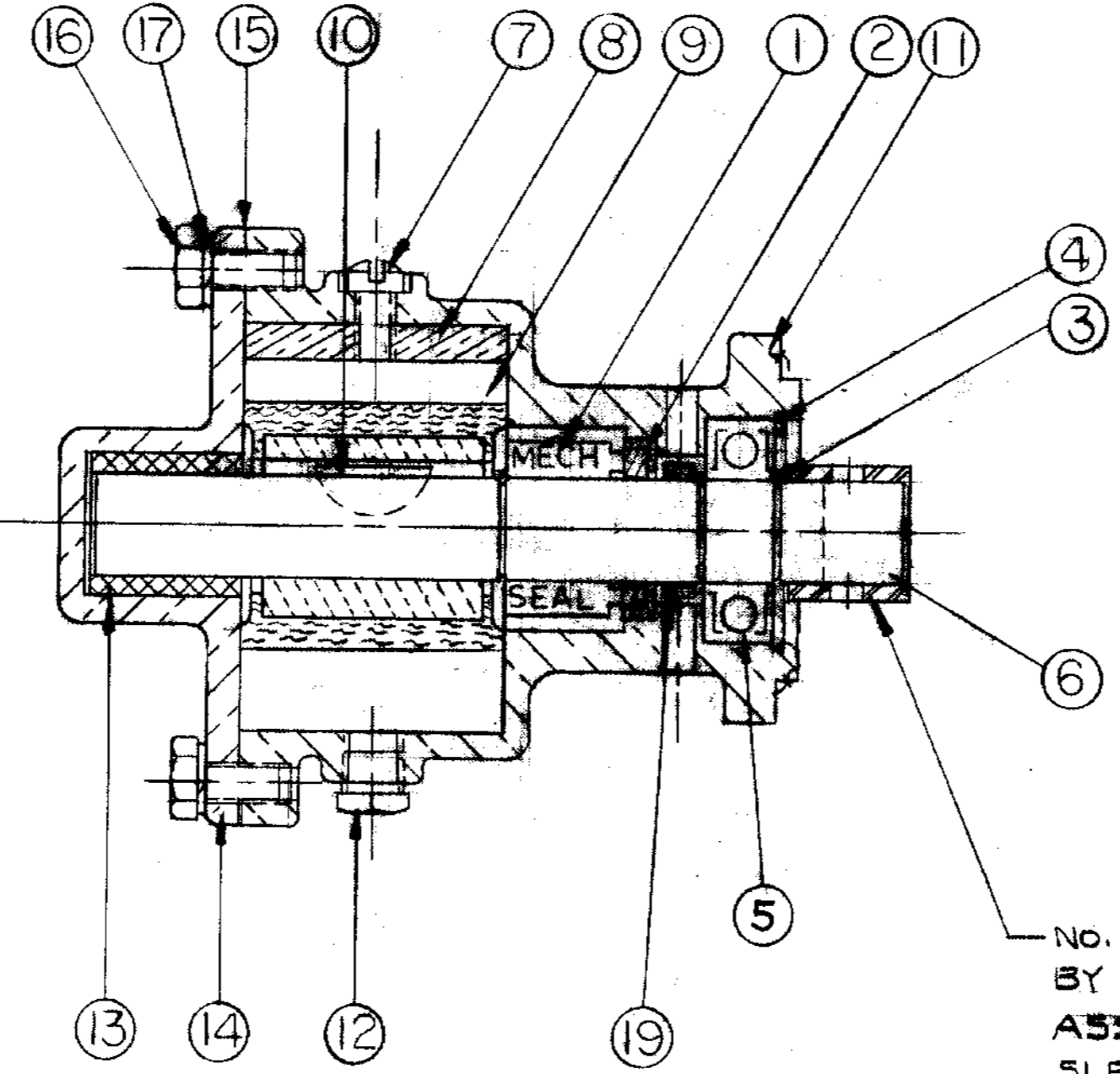
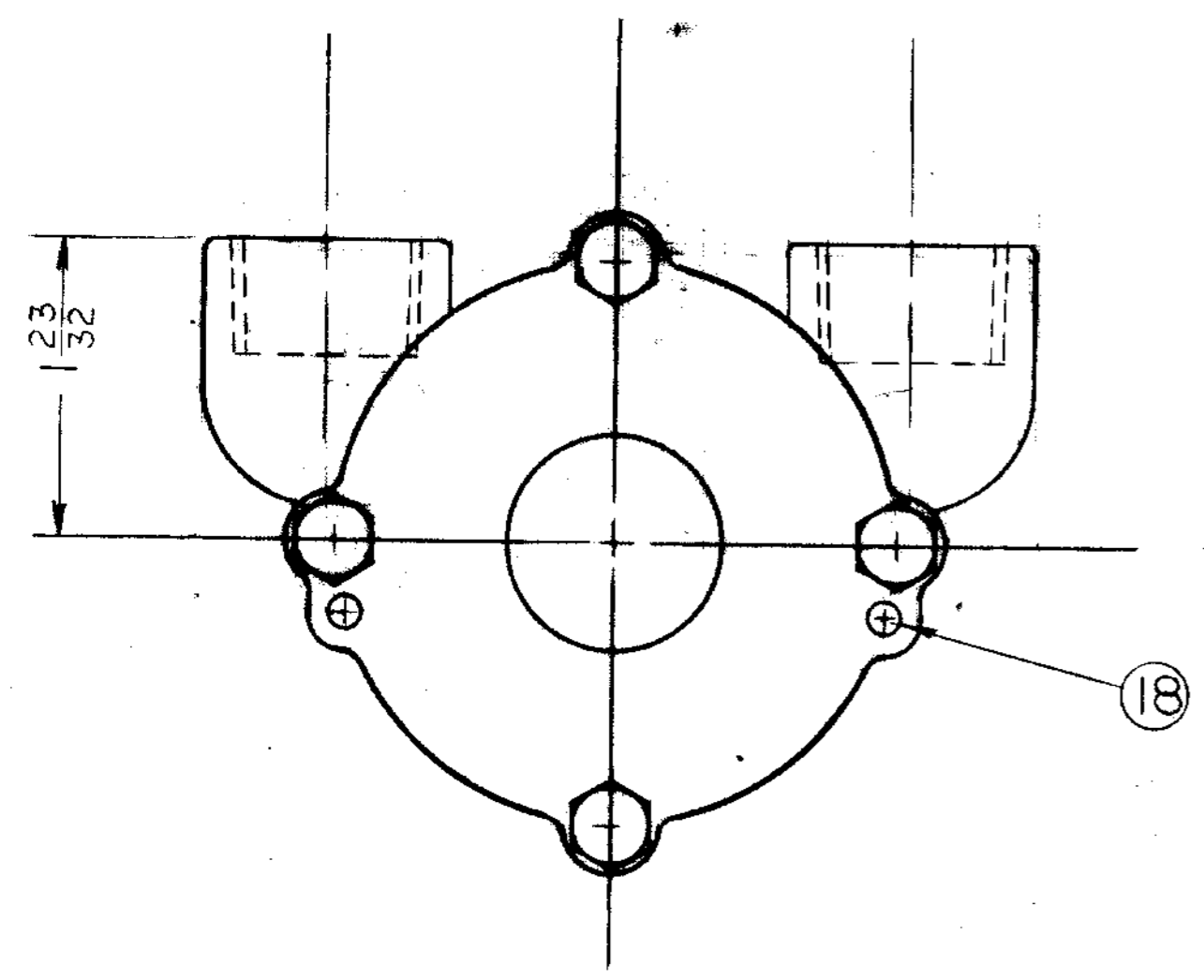
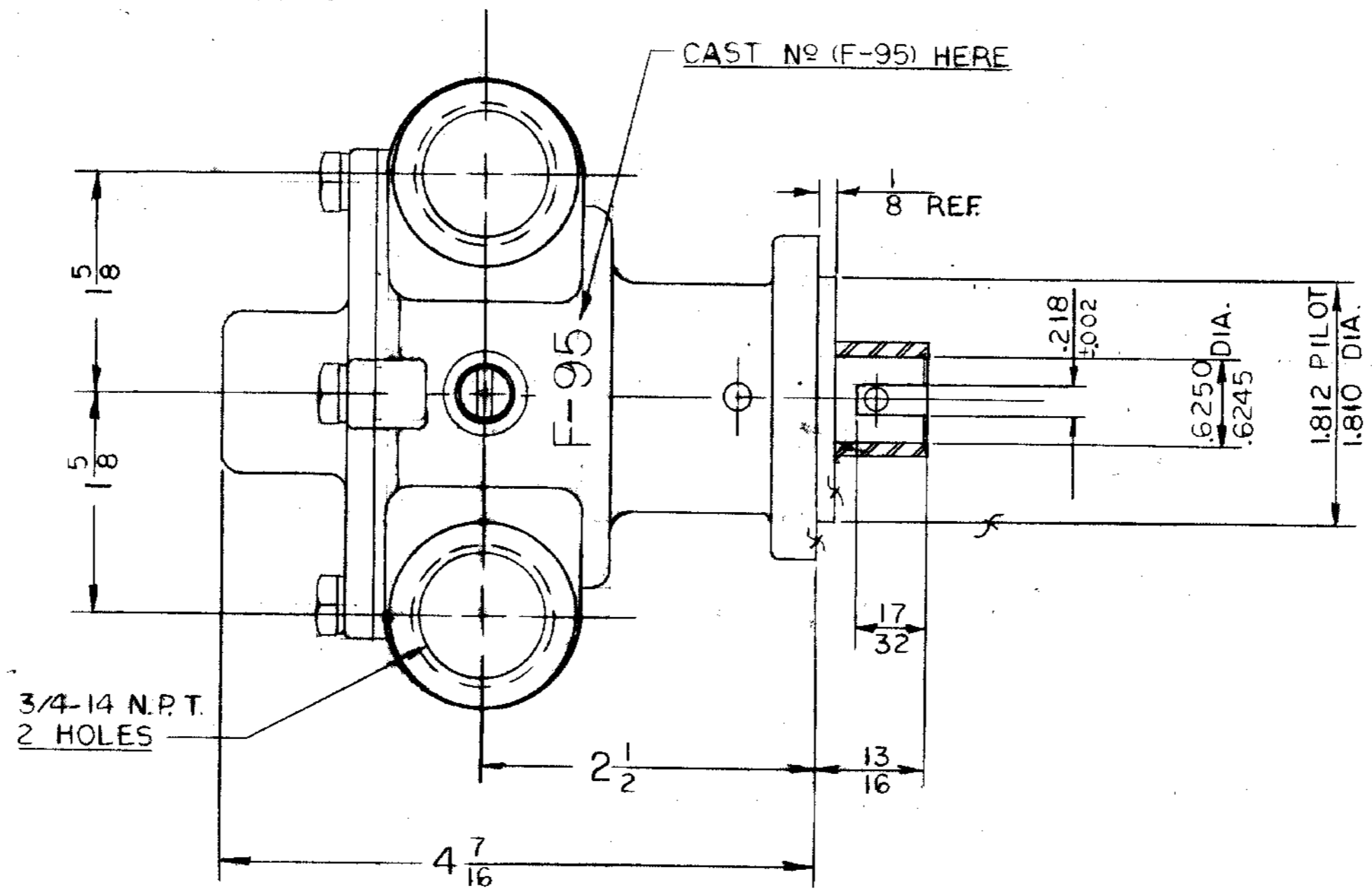


PARTS LIST

| ITEM | PART NO | DESCRIPTION | REQ'D |
|------|---------|-----------------|-------|
| 1 | 18743 | MECH SEAL | 1 |
| 2 | 10926 | SEAL SEAT | 1 |
| 3 | 4258 | RET RING | 3 |
| 4 | 4259 | RET RING | 1 |
| 5 | 21972 | BALL BRG | 1 |
| 6 | 12226 | SHAFT | 1 |
| 7 | 10515 | SCREW 1/4-20 | 1 |
| 8 | 10929 | CAM | 1 |
| 9 | 10615 | IMPELLER | 1 |
| 10 | 4432 | DRIVE KEY | 1 |
| 11 | 12225 | BODY | 1 |
| 12 | 336 | DRAIN PLUG | 1 |
| 13 | 6333-G | BUSHING | 1 |
| 14 | 10182 | COVER | 1 |
| 15 | 10931 | GASKET | 1 |
| 16 | 1482 | CAPSCREW 1/4-20 | 4 |
| 17 | 12710 | LOCKWASHER | 4 |
| 18 | 1311 | DOWEL PIN | 2 |
| 19 | 7070 | SLINGER | 1 |
| 20 | 17644 | CARTON M | 1 |
| 21 | 12209 | LABEL | 1 |
| 22 | 14474 | JIFFY BAG NO 3 | 1 |

(G)
(B)
(E)



NO. 12509 SLEEVE FURNISHED BY WESTERBEKE THEIR NO. 12209 ASSEMBLED BY SHERWOOD SLEEVE MUST BE FLUSH WITH END OF SHAFT & THE 3/4 HOLES PARALLEL WITH THE SLOT AS SHOWN

SERVICE KIT

| KIT | PART NO | ITEM NOS |
|-------|---------|-----------------------------------|
| MAJOR | 12333 | 1-2-3-4-5-6-9-10-13-15-16-17 & 19 |
| MINOR | 12344 | 1-2-3-5-9 & 15 |

(C)

CURVE NO. 77021 R

| | | | |
|---|--------------------|-----|----------|
| G | WAS 4257 | TLG | H7-95 |
| F | SEAL WAS 10523 | KB | 9-1489 |
| E | 10929 WAS 10944 | RM | 12-5-71 |
| D | 12509 SLEEVE ADDED | RM | 9/13/71 |
| C | SERVICE KIT ADDED | | NO 20 72 |
| B | ITEM 6 REVISED | RM | 8-23-72 |
| A | PICTURE CHANGED | PJL | 2/2/72 |

SHERWOOD
A DIVISION OF HYPRO CORPORATION
8891 E. JEFFERSON AVE. • DETROIT, MICHIGAN 48207

TITLE: ASSEMBLY IMPELLER PUMP
SCALE: FULL
DRAWN: PUL
CHECKED: RM

DATE: 12-23-71

SEE DETAILS

PROJ 179