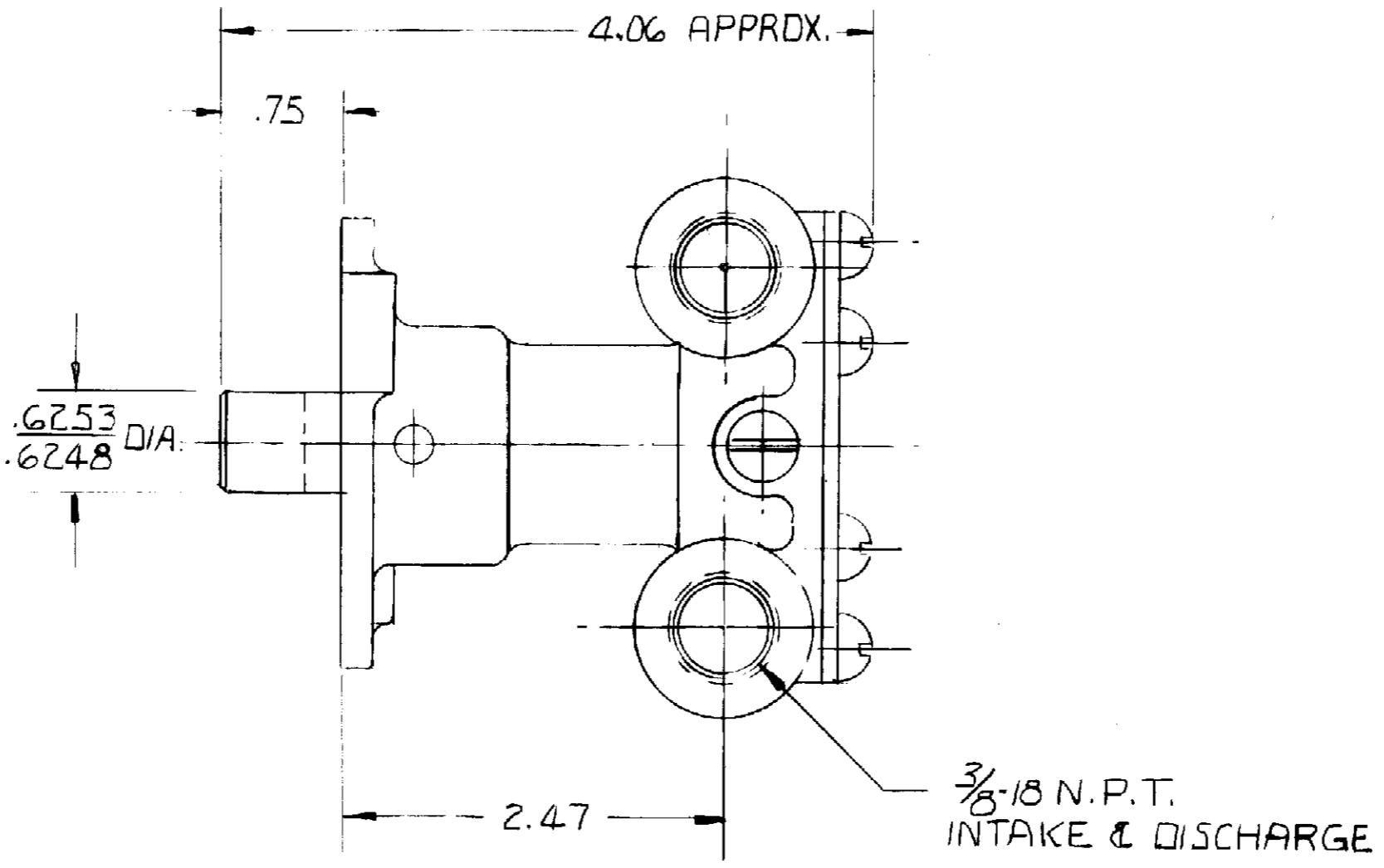
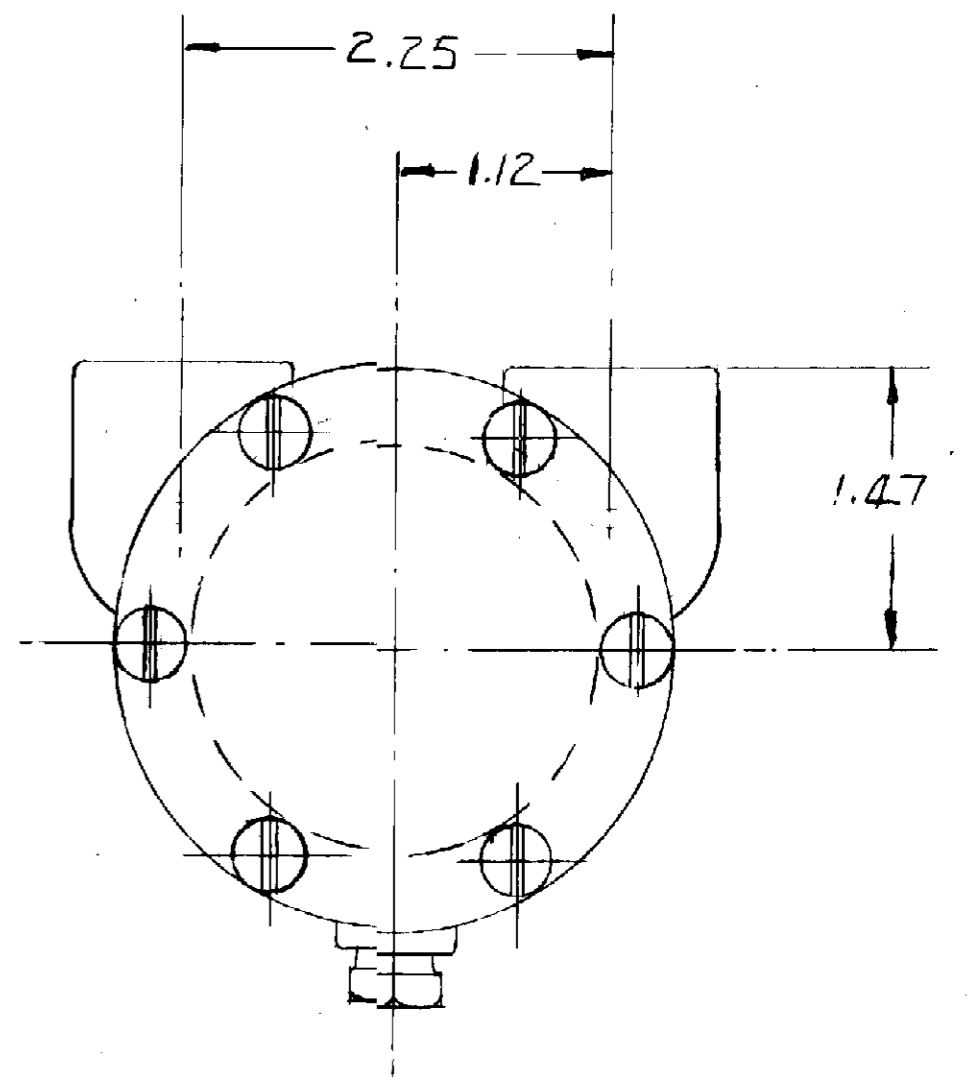
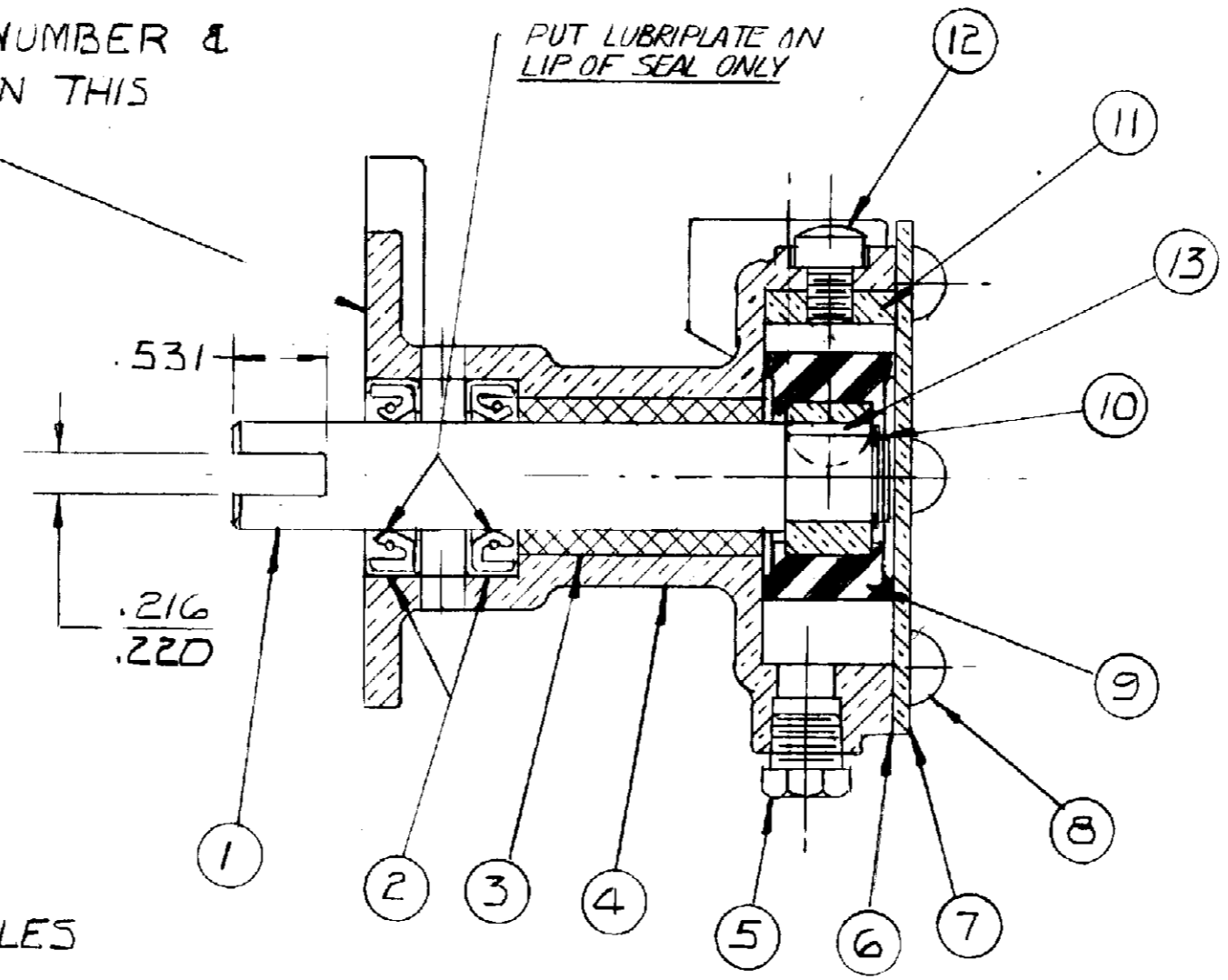
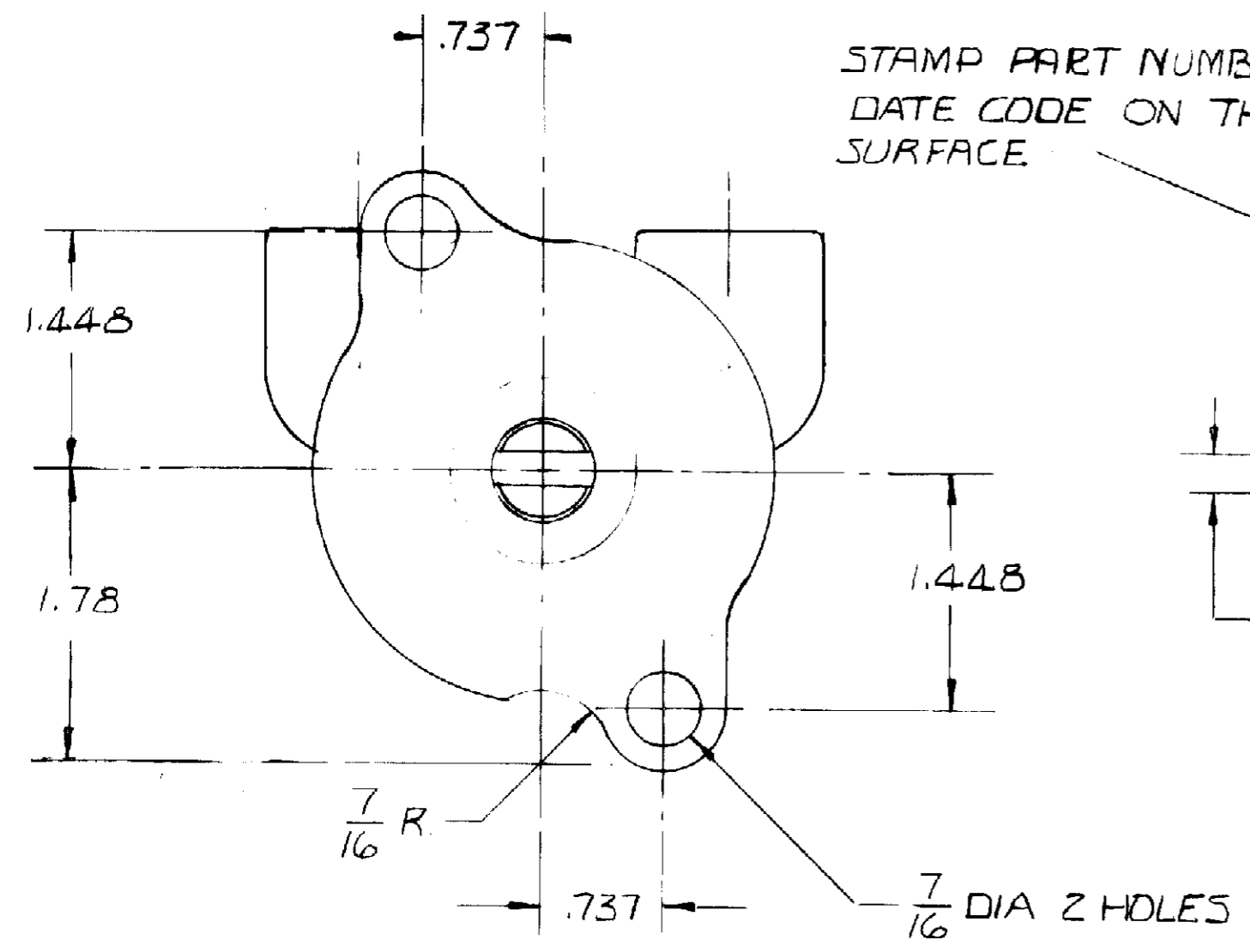


PARTS LIST			
ITEM	PART No.	DESCRIPTION	REQ'D.
1	11873	SHAFT	1
2	10514	SEAL-LIP	2
3	11519	BUSHING-CARBON	1
4	11872	BODY	1
5	336	PLUG-DRAIN	1
6	10286	GASKET	1
7	10593	COVER	1
8	344	SCREW 10-24 X 3/8	6
9	12336	IMPELLER	1
10	12863	RETAINING RING EXT.	1
11	15042	CAM (.187)	1
12	10822	SCREW 1/4-20 X 5/16	1
13	10093	KEY No. 2	1
14	17636	CARTON W	1
15	17611	JIFFY BAG No. 1	1
16	12209	LABEL	1

(A)  
(B)



MAJOR REPAIR KIT 15056  
MINOR REPAIR KIT 11876



MEDALIST # 299805

FLW CURVE 80002 R

UNLESS OTHERWISE SPECIFIED TOLERANCE TO BE		<b>SHERWOOD</b> A DIVISION OF HYPRO CORPORATION 8821 E. JEFFERSON AVE. • DETROIT, MICHIGAN 48227		
CAST DIMENSION ± .020 MACHINED DIMENSION FRACTIONAL ± .010 DECIMAL ± .005				
D 15056 MAJOR KIT WAS 11875 C HBDA ASSY WAS H80 B 15042 CAM WAS 11239 A 12336 IMP WAS 10077		DRAFTSMAN <b>RBM</b>	DATE <b>7-13-79</b>	CHECKER DATE ASSY NO
ANGLES ± 1/2° MACHINED SURFACE ROUGHNESS ALLOW 1/16 STOCK ON ALL FINISHED SURFACES FOR MACHINING BREAK ALL SHARP EDGES .010 MAX CAST FILLETS AND RADIUS 1/16 R		TITLE: <b>PUMP ASSY-RUBBER IMPELLER</b>		
RLV.	DESCRIPTION	APPR	DATE	MATERIAL D.W.G. NO. <b>H-80A</b>

PROJ. 277