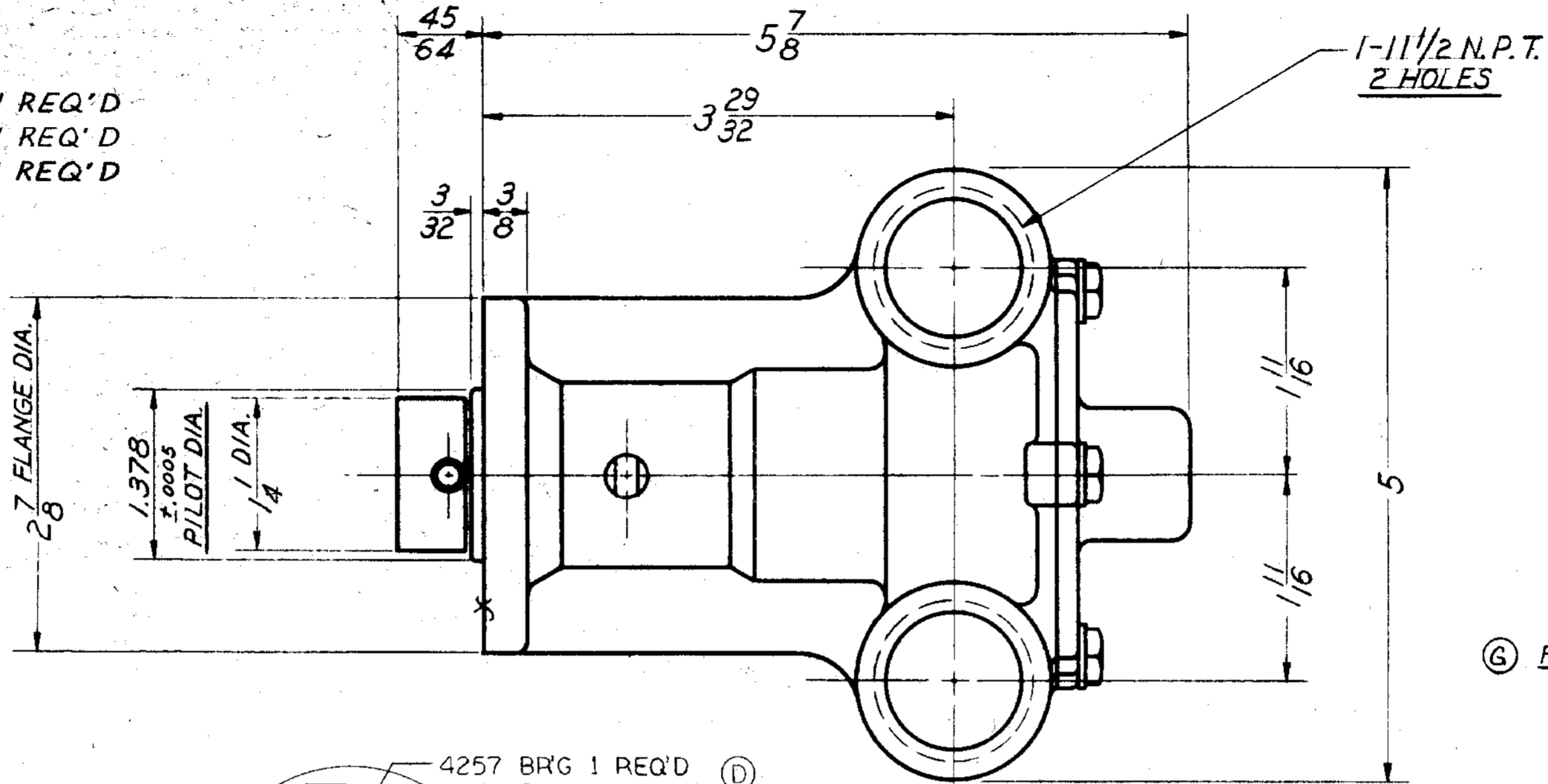


UNIT PACKAGING:

- N^o 17659 CARTON Y 1 REQ'D
- 14486 JIFFY BAG #4 1 REQ'D
- 12209 LABEL 1 REQ'D

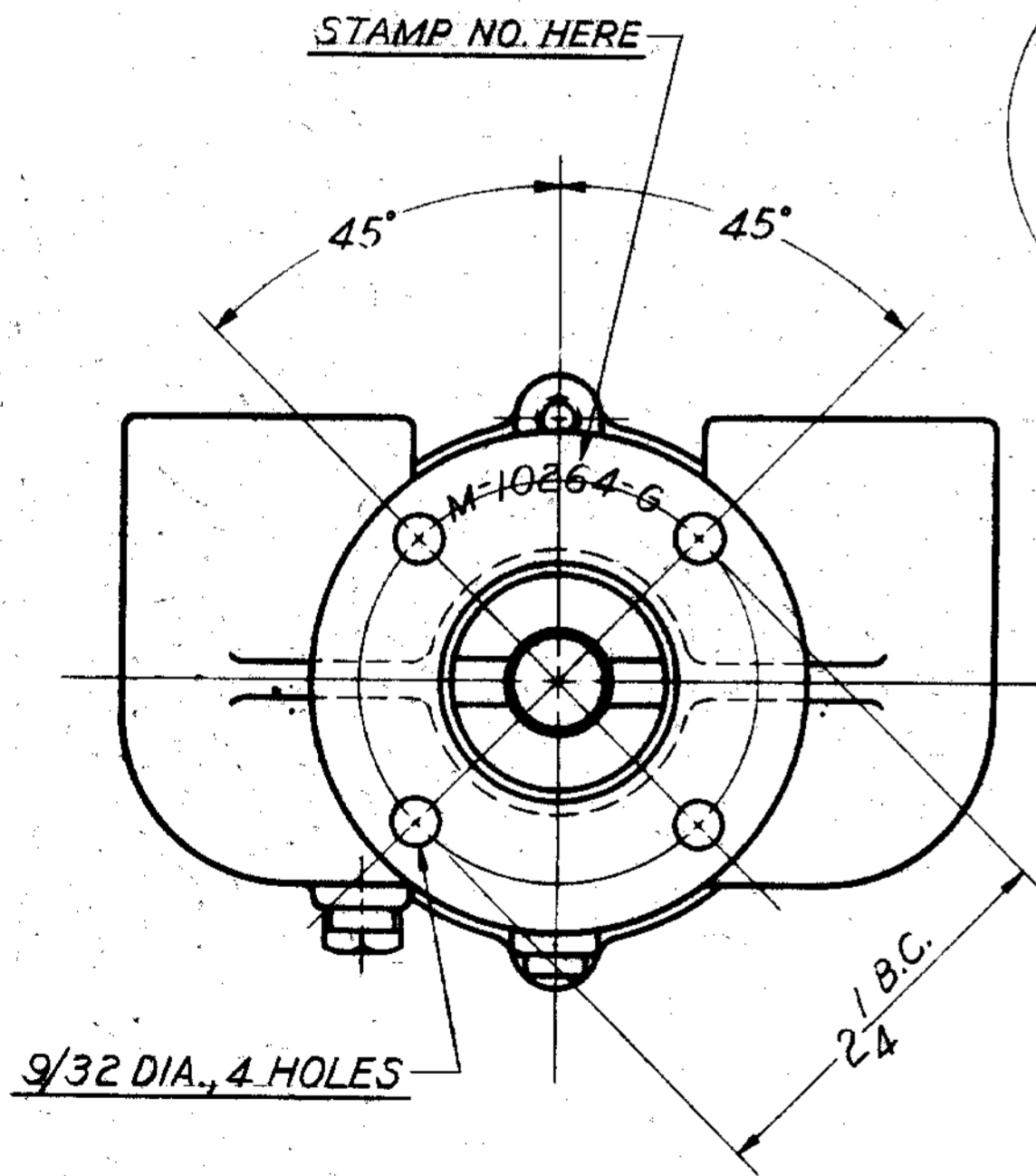


Body Ass'y No. 14228

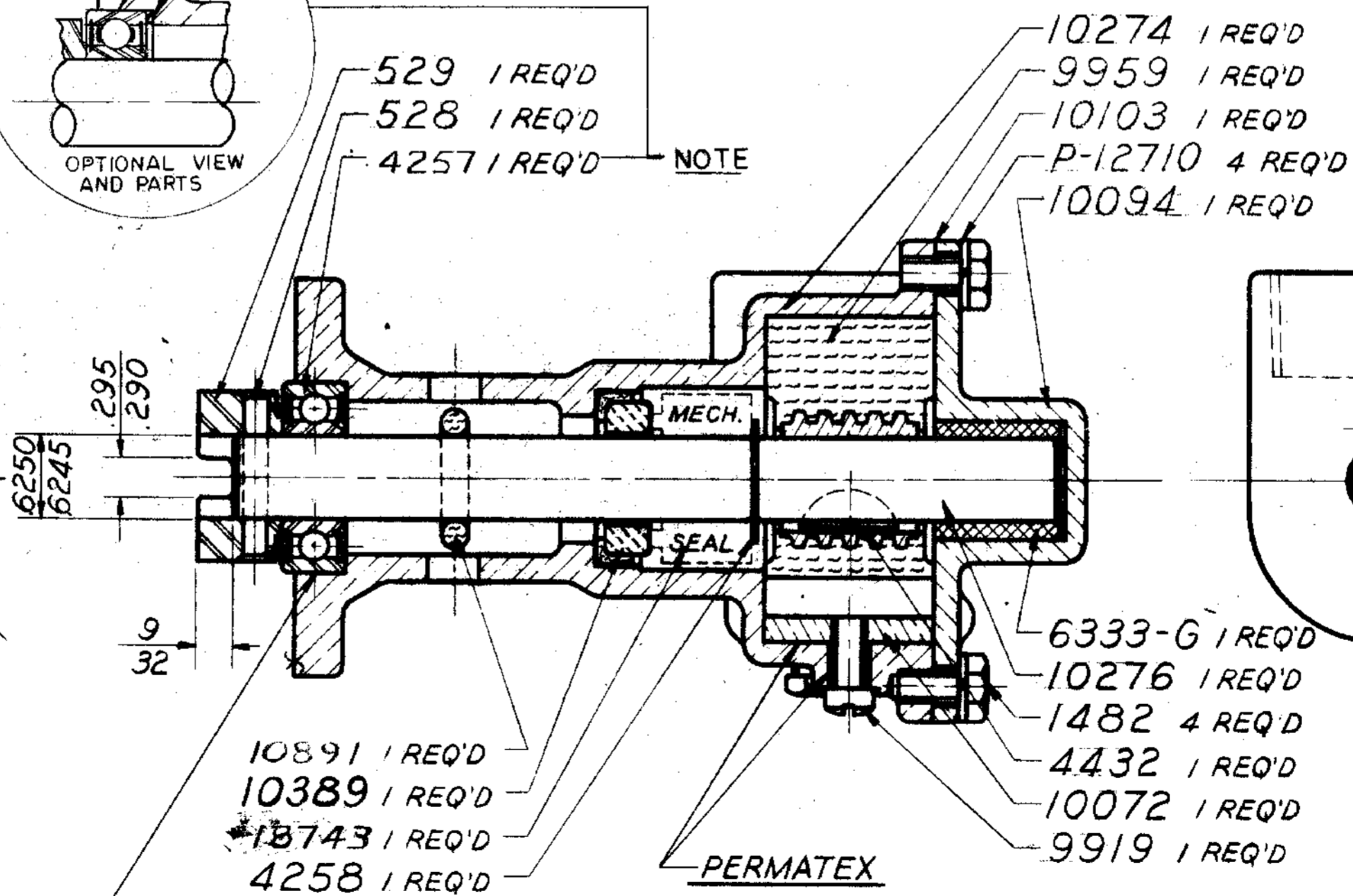
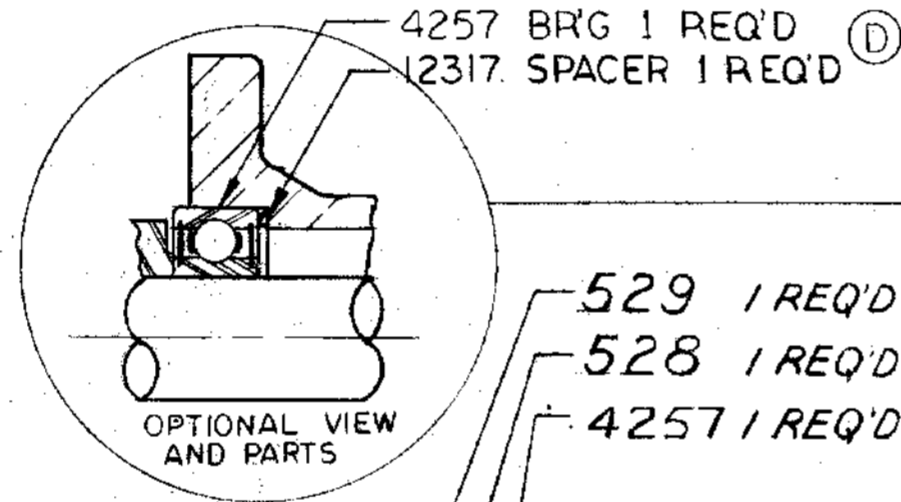
SERVICE PART NO.	COMPONENT PART NO'S	NO. REQ'D
10275	10274	1
BODY	1311	2
10096	10094	1
COVER	6333-G	1
10545 (D)	10523	1
SEAL & SEAT	10389	1
MAJOR REPAIR KIT #12247 (E)		
MINOR REPAIR KIT #10685 (E)		

(G) FOR SERVICE:
 PACKAGE THIS PUMP ASSEMBLY IN A # 17659 BOX
 # 17955 BAG 1 REQ'D
 # 12209 LABEL 1 REQ'D

STAMP PUMP ASSEMBLY NO. M-10264-G AND DATE CODE ON TAG, ATTACH WITH SCREW.



CAPACITY
 6.0 G.P.M. @ 1000 R.P.M.



BALL BEARING ASSEMBLED AS SHOWN

SUPERSEDES N^o K-9740-G

SHERWOOD
 A DIVISION OF HYPRO CORPORATION
 6331 E. JEFFERSON AVE. • DETROIT, MICHIGAN 48224

TITLE	MATERIAL
IMPELLER PUMP ASS'Y	SEE DETAILS
SCALE FULL	REQ'D
DRAWN A.V.B.	DATE 11-19-59
CHECKED 7/7	DATE 11/23/59
APPROVED	DATE

PART NO. M-10264-G

REV.	DESCRIPTION	CHK.	DATE
F	10685 KIT WAS 10426	RM	11-5-74
E	12247 KIT REVISED	RM	1-5-71
D	OPTIONAL PARTS ADDED	RM	5-16-72
C	MAJOR SERVICE KIT ADDED	RM	2-17-72
B	WAS N ^o 10099 SEAL & SEAT ASS'Y	AV	9/27/68
A	SERVICE N ^o 10426 ADDED	AV	7/1/60
G	PACKAGING NOTE ADDED	AM	7-31-78