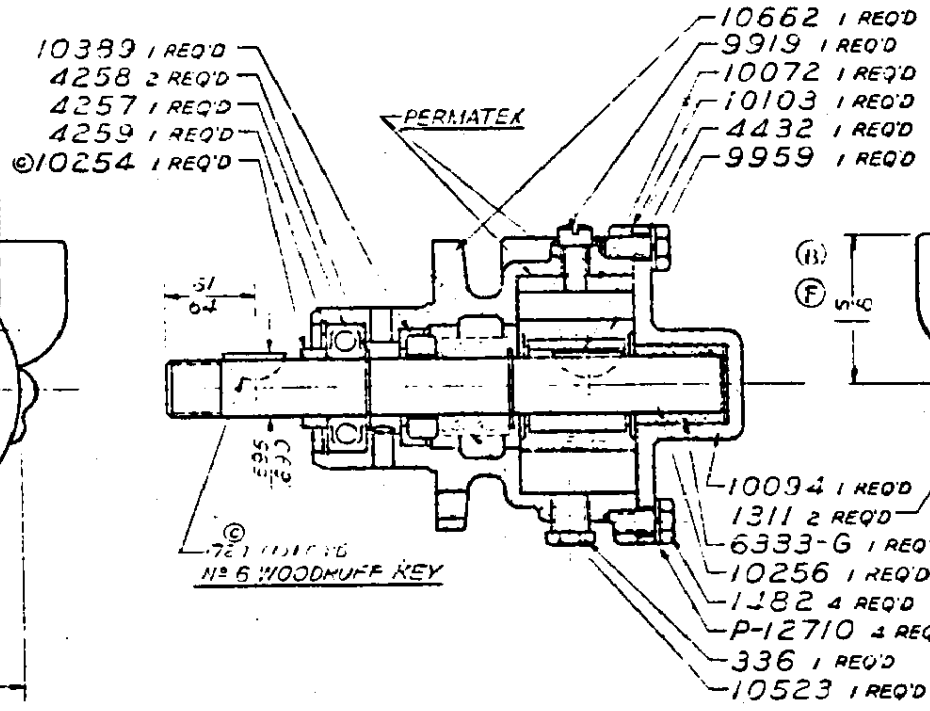
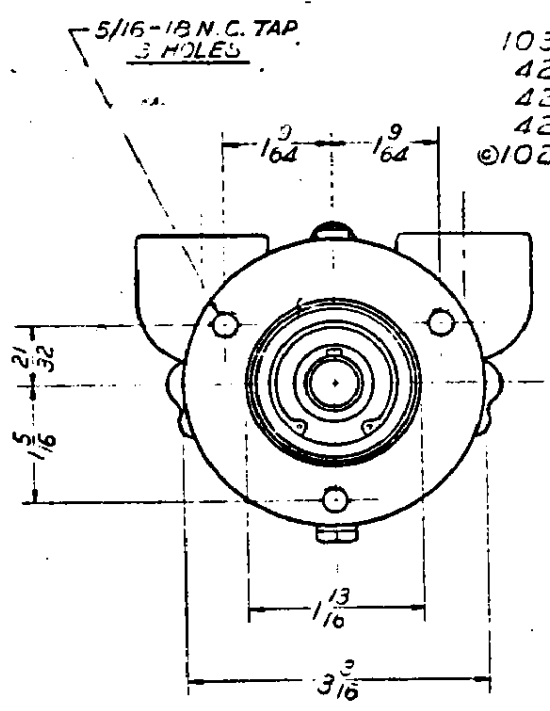
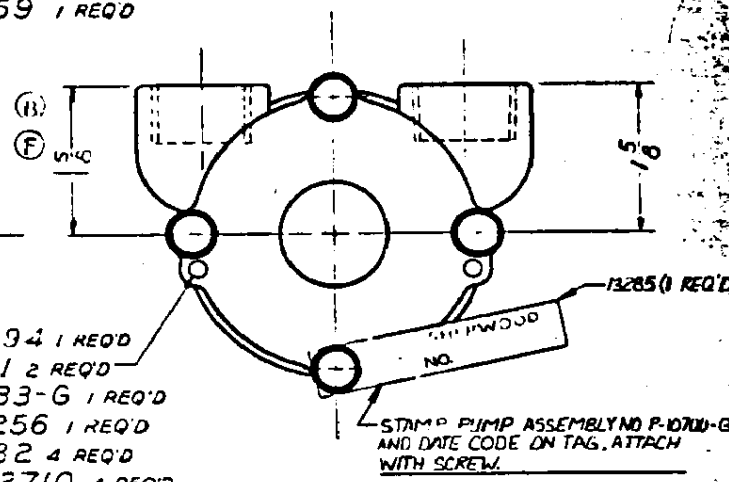


SERVICE PART NO.	COMPONENT PART NO'S	NO. REQ'D
10684	10662	1
BODY	1311	2
10096	10094	1
COVER	6333-G	1
10545	10523	1
SEAL/SEAT	10369	1

MAJOR REPAIR KIT # 12252 (E)
MINOR REPAIR KIT # 10625 (E)



FOR SERVICE
PACKAGE THIS PUMP ASSEMBLY IN A
BOX 1 REF'D #17648 (3)
1 JIFFY BAG 1 REQ'D
12209 LABEL 1 REQ'D



CAPACITY
6.0 G.P.M. @ 1000 R.P.M.

H	ADDED TAG NO. 13285	AMT 7/74
F	SAFETY WAS 222 HALL	6/11/74
E	NUMBER 12252 KIT REVISED	5/11/74
D	REVISIONS WILL BE MADE	5/11/74
C	ALL PARTS SHIPPED	5/11/74
B	REVISIONS WILL BE MADE	5/11/74
A	REVISIONS WILL BE MADE	5/11/74

SHERWOOD BRASS WORKS
IMPELLER PUMP ASSY

SEE DETAILS

P-10700-G

DATE: 4/1/74
BY: JJA

J 17648 WAS 17682
I 1227 WBS 10625