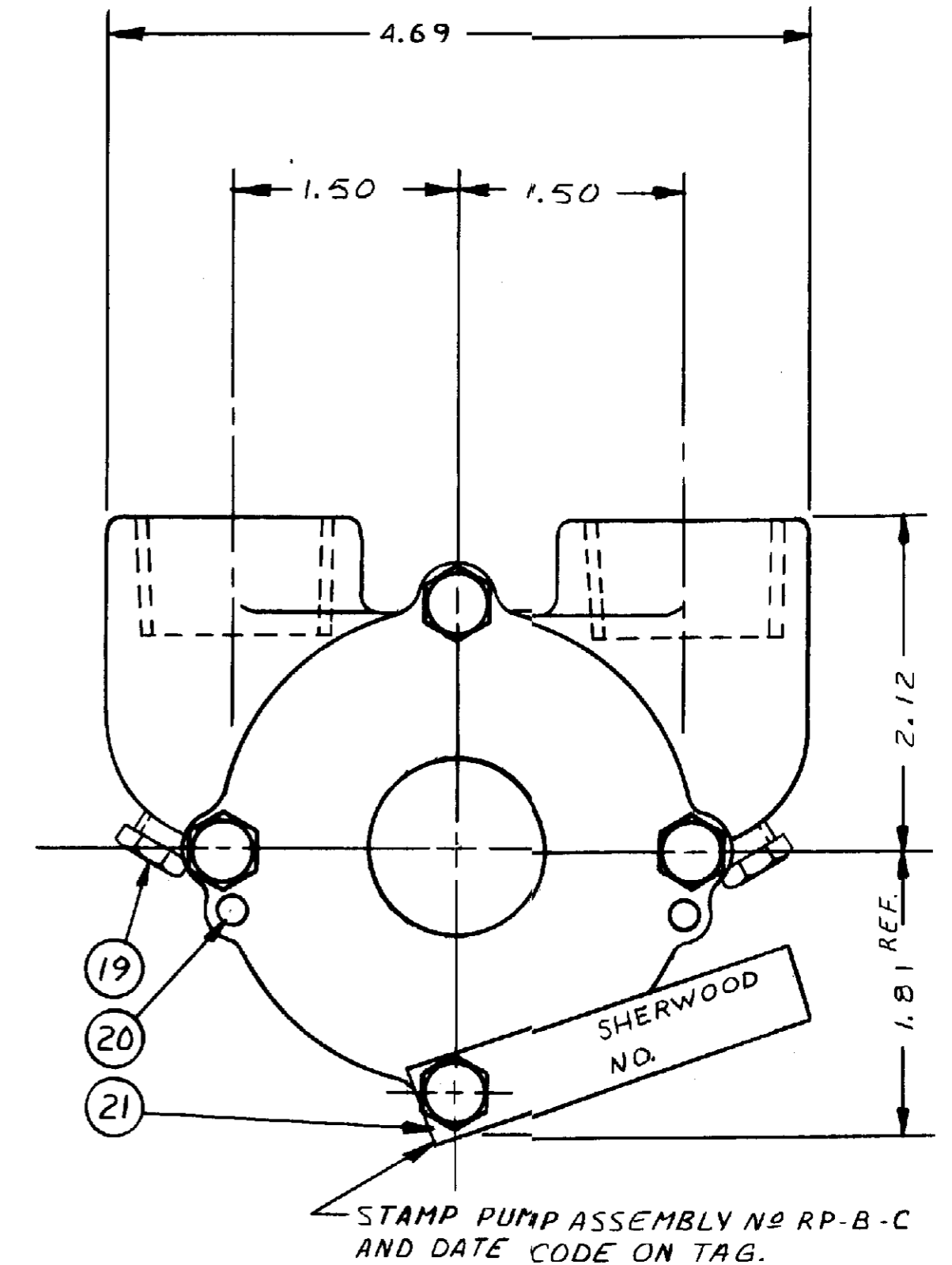
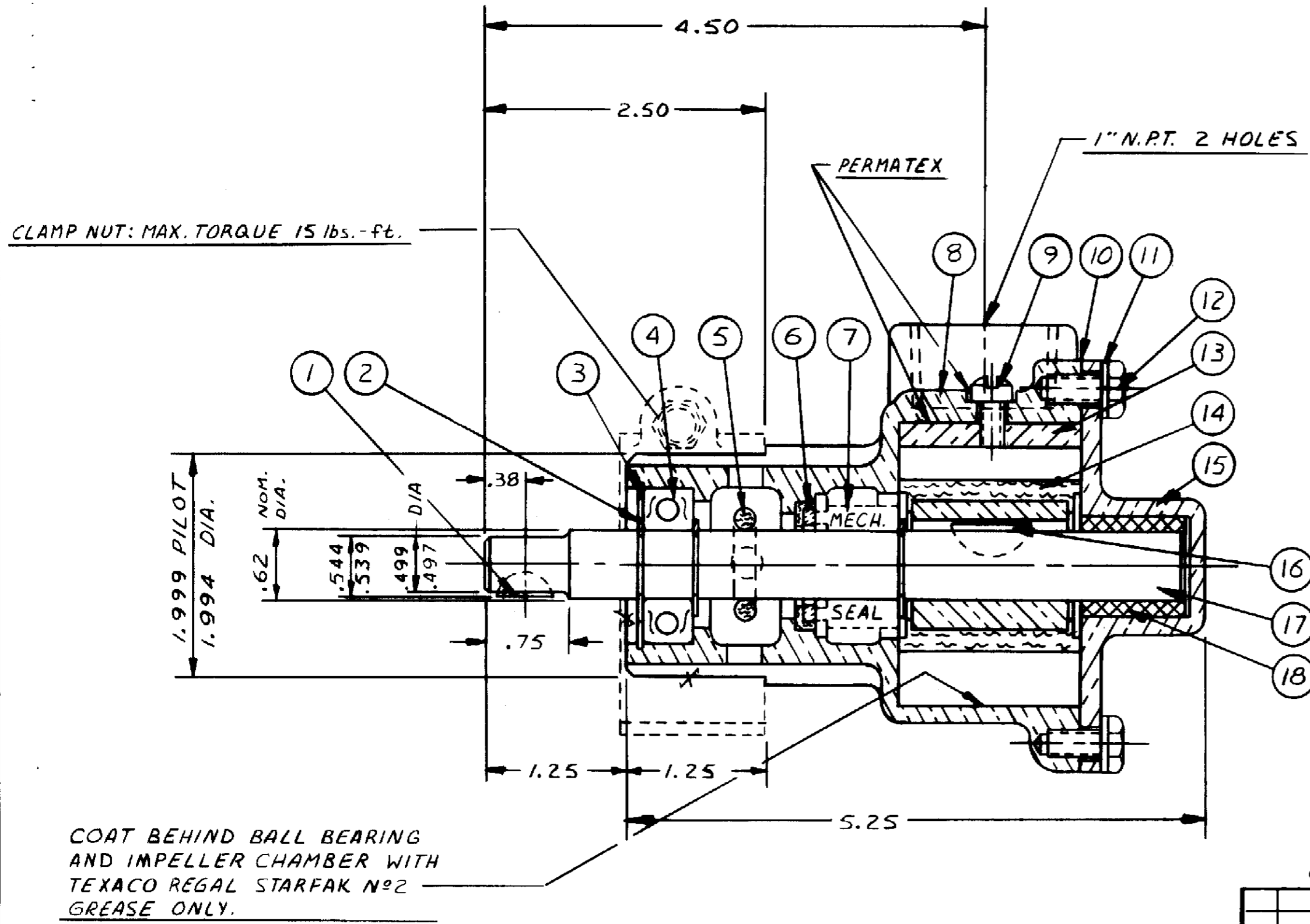


PARTS LIST

ITEM	DESCRIPTION	PART N ^o	QTY.	ITEM	DESCRIPTION	PART N ^o	QTY.
1	KEY	10093	1	16	KEY	4432	1
2	EXT. RETAINING RING	4258	3	17	SHAFT	11374	1
3	INT. RETAINING RING	4259	1	18	GRAPHITE BUSHING	6333	1
4	BALL BEARING	4257	1	19	DRAIN PLUG	336	2
5	SLINGER	10891	1	20	PIN	1311	2
6	SEAL SEAT	10926	1	21	TAG	13285	1
7	MECHANICAL SEAL	18743	1	22	BODY & PIN ASS'Y	11372	SERV.
8	BODY	11370	1	23	COVER ASS'Y	10183	SERV.
9	CAM SCREW	10515	1	24	SEAL & SEAT ASS'Y	10927	SERV.
10	GASKET	10931	1	25	MINOR REPAIR KIT	10999	SERV.
11	LOCKWASHER	12710	4	26	MAJOR REPAIR KIT	11068	SERV.
12	HEX. HD. BOLT	1482	4				
13	CAM	10944	1				
14	IMPELLER	10615	1				
15	COVER	10182	1				

UNIT PACKAGING:
 N^o 17636 CARTON W 1 REQ'D
 12209 LABEL 1 REQ'D
 14486 JIFFY BAG #4 1 REQ'D

2210-0001



CURVE N^o 64004R

UNLESS OTHERWISE SPECIFIED CAST DIMENSIONS ± .02 FILLETS & RADS .06 FINISH STOCK .07 MACHINING TOLERANCE, INCHES XX ± .01, XXX ± .005 SURFACE ROUGHNESS ANGLES ± 0° 30' CORNER BREAKS .01 MAX.		SHERWOOD A DIVISION OF HYPRO CORPORATION 6331 E. JEFFERSON AVE. • DETROIT, MICHIGAN 48207	
□ FLATNESS .0015 IN/IN ⊥ SQUARNESS .0015 ○ CONCENTRICITY .002 ○ ROUNDNESS .0005 ○ RUNOUT .002		DRAFTSMAN DATE CHECKER DATE ASBY NO. GJB 6-22-67 A.V.B. 6-22-67	
K REDRAWN WITHOUT CHANGE R.B. 2-22-90		TITLE RUBBER IMPELLER PUMP	
REV DESCRIPTION APPR DATE		MATERIAL DWG. NO. SEE DETAILS RP-B-C	