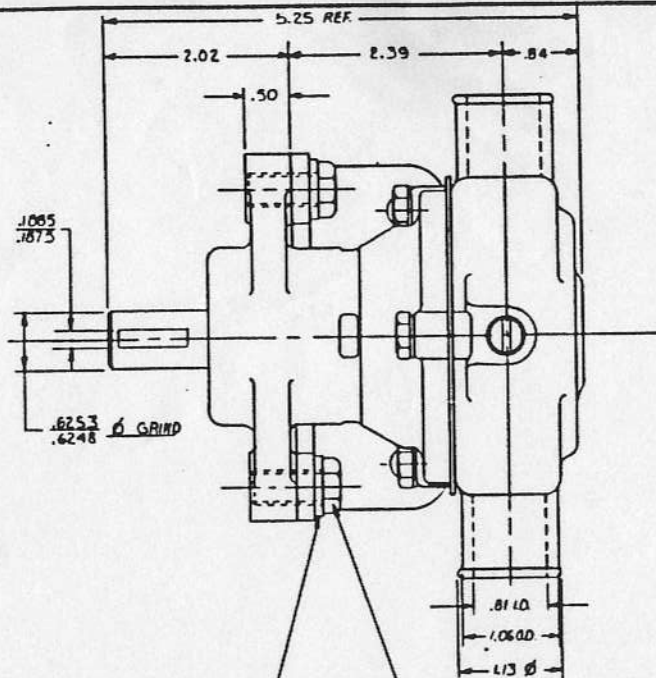


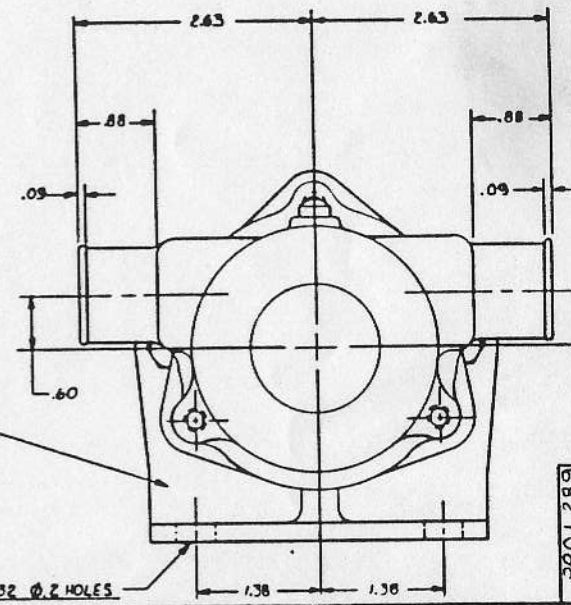
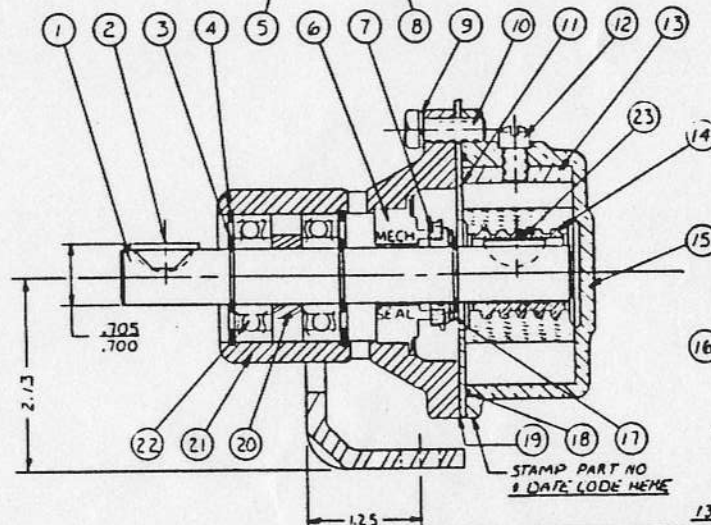
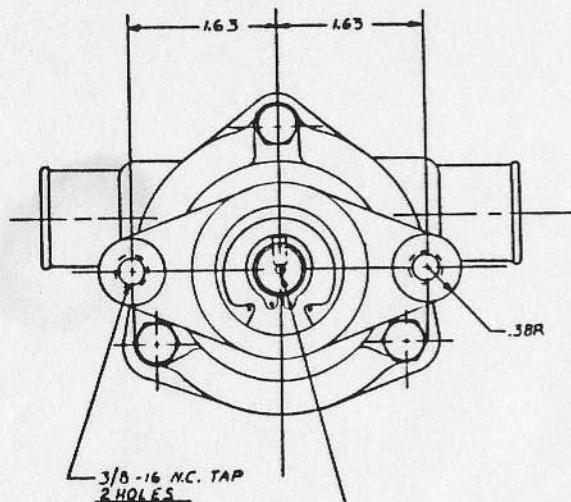
PARTS LIST

ITEM	PART NO.	DESCRIPTION	REQD
1	11817	SHAFT	1
2	12622	NO. 9 NON-FLX KEY	1
3	4258	RET. RING EXT.	3
4	4259	RET. RING INT.	2
5	4991	3/8 STD. LOCKWASHER	2
6	12314	MECH SEAL	1
7	12256	SEAL SEAT	1
8	11633	CAPSCREW 3/8-16x3.4	2
9	P-12710	1/4 LIGHT LOCKWASHER	3
10	12857	CAPSCREW 1/4-20x3/4	3
11	12856	END PLATE	1
12	10515	SCREW 1/4-20x3/8	1
13	10627	CAM (.183)	1
14	9959	IMPELLER	1
15	12303	HOUSING	1
16	12393	MOUNTING BRACKET	1
17	4264	THRUST WASHER	1
18	12231	O-RING	1
19	12855	GASKET	1
20	5/33	SPACER BAG.	1
21	12227	BODY	1
22	12211	BALL DRG.	2
23	4-432	NO. 9 WOODRAFF KEY	1
24	18446	JIFFY BAG #4	1
25	17657	CARTON }	1
26	12209	LABEL	1



SERVICE ASSY NO: 5	COMPONENT ITEM NO: 5	G1
SEAL & SEAT ASSY NO. 12859	617	
MAJOR REPAIR KIT NO. 12665		
MINOR REPAIR KIT NO. 12399		

FLOW CURVE: T2010R-T2011R



CENTER DRILL MARK (THIS END)

REV	DESCRIPTION	APPN	DATE
C	12854 WAS 12322	VA	7/27/70
B	REDRAWN WITHOUT CHANGE	KB	11/30/69

UNLESS OTHERWISE SPECIFIED
 CAST DIMENSIONS 1/32
 FRESH STOCK BY
 MACHINING TOLERANCE RICHES
 XX - BY .001 - .005
 SURFACE FINISHES
 ANGLES - 9° 30'
 CORNER SURFACES BY MAX.
 FLATNESS .001
 SOLIDNESS .001
 CONCENTRICITY .001
 ROUNDNESS .002
 RUNOUT .001

SHERWOOD
 A DIVISION OF HYPRO CORPORATION
 8801 E. JEFFERSON AVE. - DETROIT, MICHIGAN 48207

DATE	DATE	DATE	DATE
11-12-79	11-15-79		

TITLE: **PUMP ASSEMBLY - RUBBER IMPELLER**

SEE DET/ G1