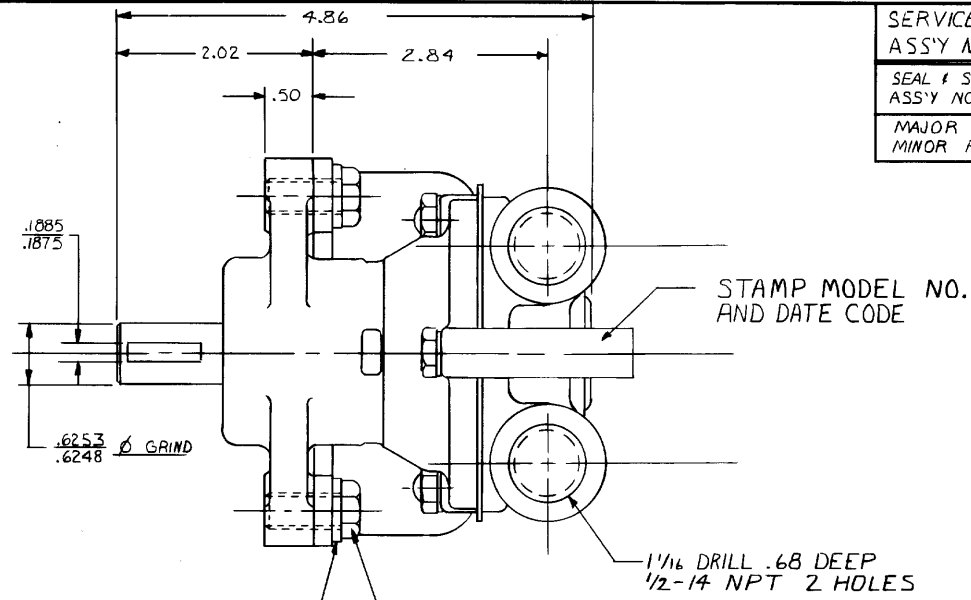
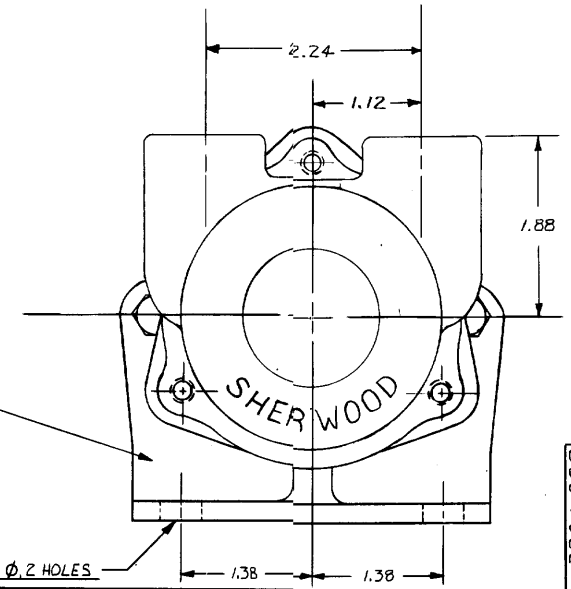
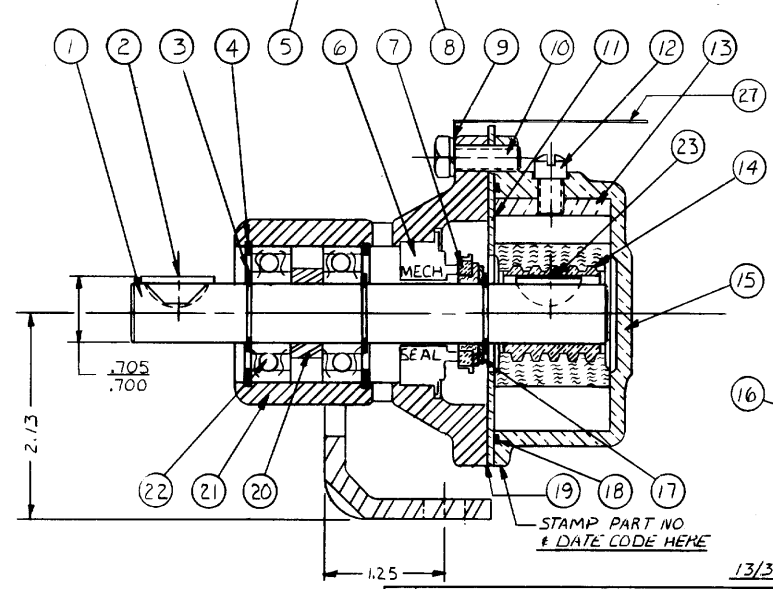
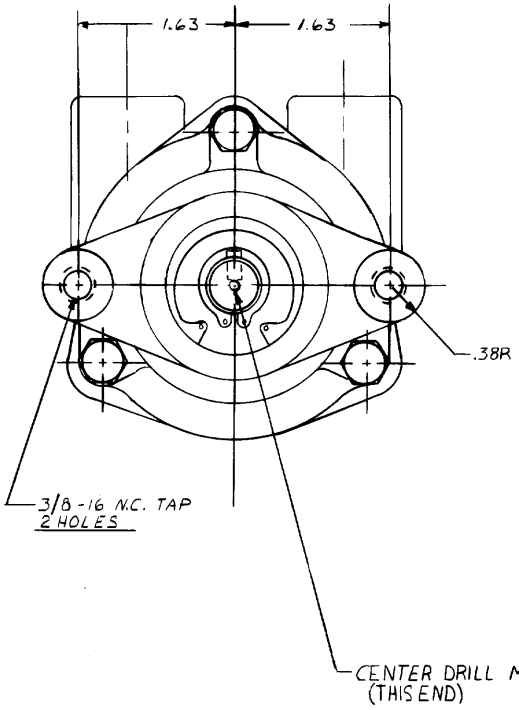


PARTS LIST

| ITEM | PART NO. | DESCRIPTION | REQ'D |
|------|----------|----------------------------|-------|
| 1 | 21578 | SHAFT | 1 |
| 2 | 18576 | NO. 9 NON-ROK KEY | 1 |
| 3 | 4258 | RET. RING EXT. | 3 |
| 4 | 4259 | RET. RING INT. | 2 |
| 5 | 4991 | 3/8 STD. LOCKWASHER | 2 |
| 6 | 12314 | MECH. SEAL | 1 |
| 7 | 12256 | SEAL SEAT | 1 |
| 8 | 11633 | CAPSCREW 3/8-16x3/4 | 2 |
| 9 | P-12710 | 1/4 LIGHT LOCKWASHER | 3 |
| 10 | 12857 | CAPSCREW 1/4-20x3/4 | 3 |
| 11 | 12856 | END PLATE | 1 |
| 12 | 10195 | SCREW 1/4-20 x 3/8 | 1 |
| 13 | 18663 | CAM (.183) | 1 |
| 14 | 9000 | IMPELLER | 1 |
| 15 | 18451 | HOUSING | 1 |
| 16 | 12393 | MOUNTING BRACKET | 1 |
| 17 | 4264 | THRUST WASHER | 1 |
| 18 | 12231 | "O" RING | 1 |
| 19 | 12855 | GASKET | 1 |
| 20 | 5133 | SPACER BRG. | 1 |
| 21 | 12227 | BODY | 1 |
| 22 | 12211 | BALL BRG. | 2 |
| 23 | 4432 | NO. 9 WOODRUFF KEY | 1 |
| 24 | 14486 | JIFFY BAG N ^o 4 | 1 |
| 25 | 17644 | CARTON-N | 1 |
| 26 | 12209 | LABEL | 1 |
| 27 | 13285 | TAG | 1 |



| | | |
|----------------------------|----------------------|-----|
| SERVICE ASSY NO.'S | COMPONENT ITEM NO.'S | G11 |
| SEAL & SEAT ASSY NO. 12859 | 667 | |
| MAJOR REPAIR KIT NO. | MINOR REPAIR KIT NO. | |



| | | | |
|-----------------------------|-------------|--|----------|
| UNLESS OTHERWISE SPECIFIED | | SHERWOOD | |
| CAST DIMENSIONS ± .02 | | A DIVISION OF HYPRO CORPORATION | |
| FILLETS & RADII .06 | | 8331 E. JEFFERSON AVE. • DETROIT, MICHIGAN 48207 | |
| FINISH STOCK .07 | | DRAFTSMAN | DATE |
| MACHINING TOLERANCE, INCHES | | SEB | 6-15-93 |
| XX ± .01, XXX ± .005 | | CHECKER | DATE |
| SURFACE ROUGHNESS | | ASSY NO. | |
| ANGLES ± 0° 30' | | TITLE | |
| CORNER BREAKS .01 MAX. | | PUMP ASSEMBLY - | |
| PARALLISM .001 | | RUBBER IMPELLER | |
| FLATNESS .001 | | MATERIAL | DWG. NO. |
| SQUARINESS .001 | | SEE DETAILS | G11 |
| CONCENTRICITY .001 | | | |
| ROUNDNESS .0002 | | | |
| RUNOUT .001 | | | |
| REV. | DESCRIPTION | APPR | DATE |

PROJ. 289