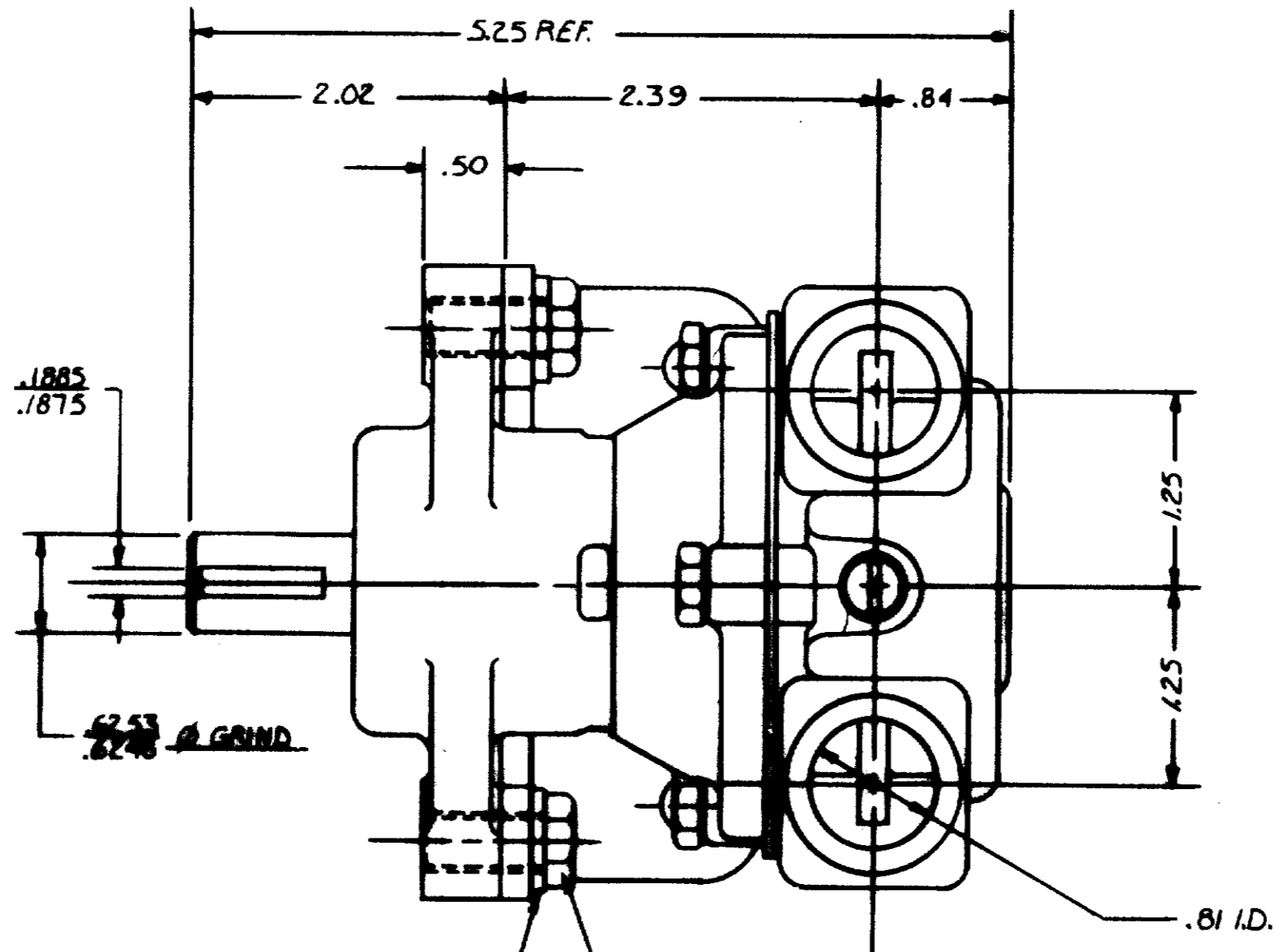


PARTS LIST

ITEM	PART NO.	DESCRIPTION	REQ'D
1	11877	SHAFT	1
2	12622	NO. 9 NON ROK KEY	1
3	4258	RET. RING EXT.	3
4	4259	RET. RING INT.	2
5	4991	3/8 STD LOCKWASHER	2
6	12314	MECH. SEAL	1
7	12256	SEAL SEAT	1
8	11633	CAPSCREW 3/8-16X3/4	2
9	P-12710	1/4 LIGHT LOCKWASHER	3
10	12857	CAPSCREW 1/4-20X3/4	3
11	12856	END PLATE	1
12	10515	SCREW 1/4-20X3/8	1
13	10627	CAM (18)	1
14	9959	IMPELLER	1
15	11903	HOUSING	1
16	12393	MOUNTING BRACKET	1
17	4264	THAUST WASHER	1
18	12231	O-RING	1
19	12853	GASKET	1
20	5153	SPACER BAG.	1
21	12227	BODY	1
22	12211	BALL BRG	2
23	4432	NO. 9 WOODRUFF KEY	1
24	14486	JIFFY BAG NO. 4	1
25	17659	CARTON Y	1
26	12209	LABEL	1



SERVICE ASSY NO.'S	COMPONENT ITEM NO.'S
SEAL & SEAT ASSY NO. 12854	617
MAJOR REPAIR KIT	NO. 12665
MINOR REPAIR KIT	NO. 12399

G-2

FLOW CURVE: 72010R-7201R

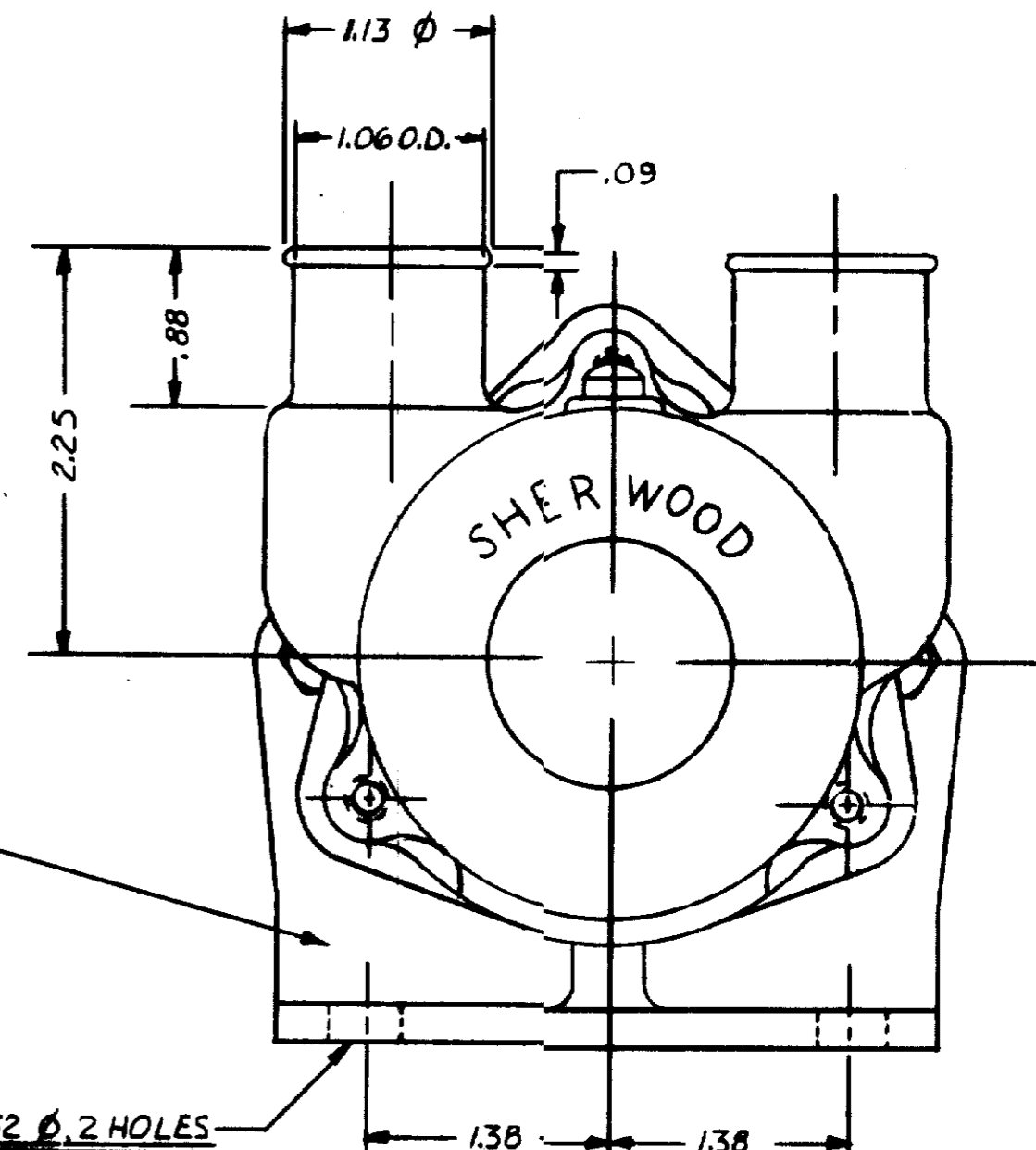
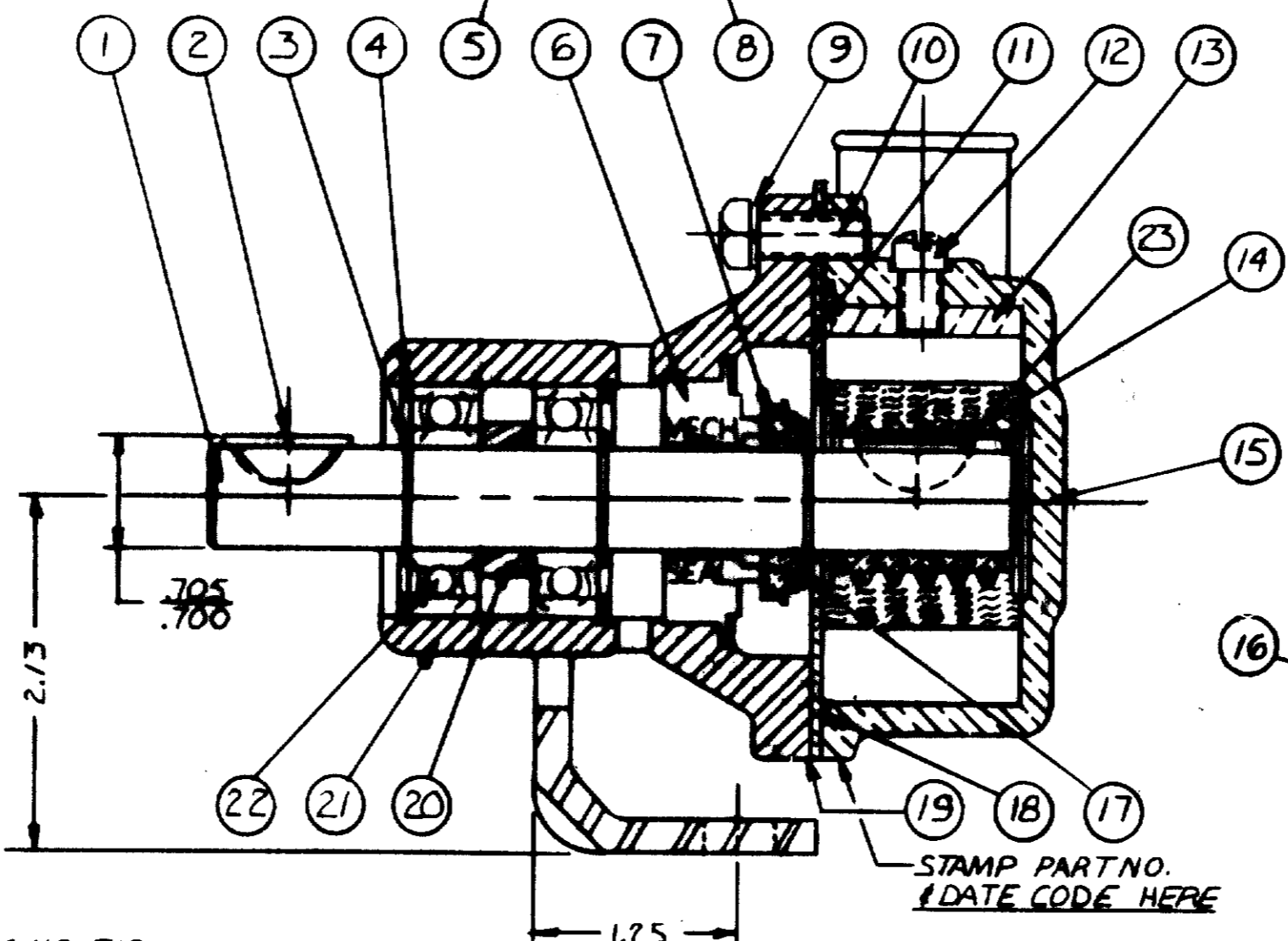
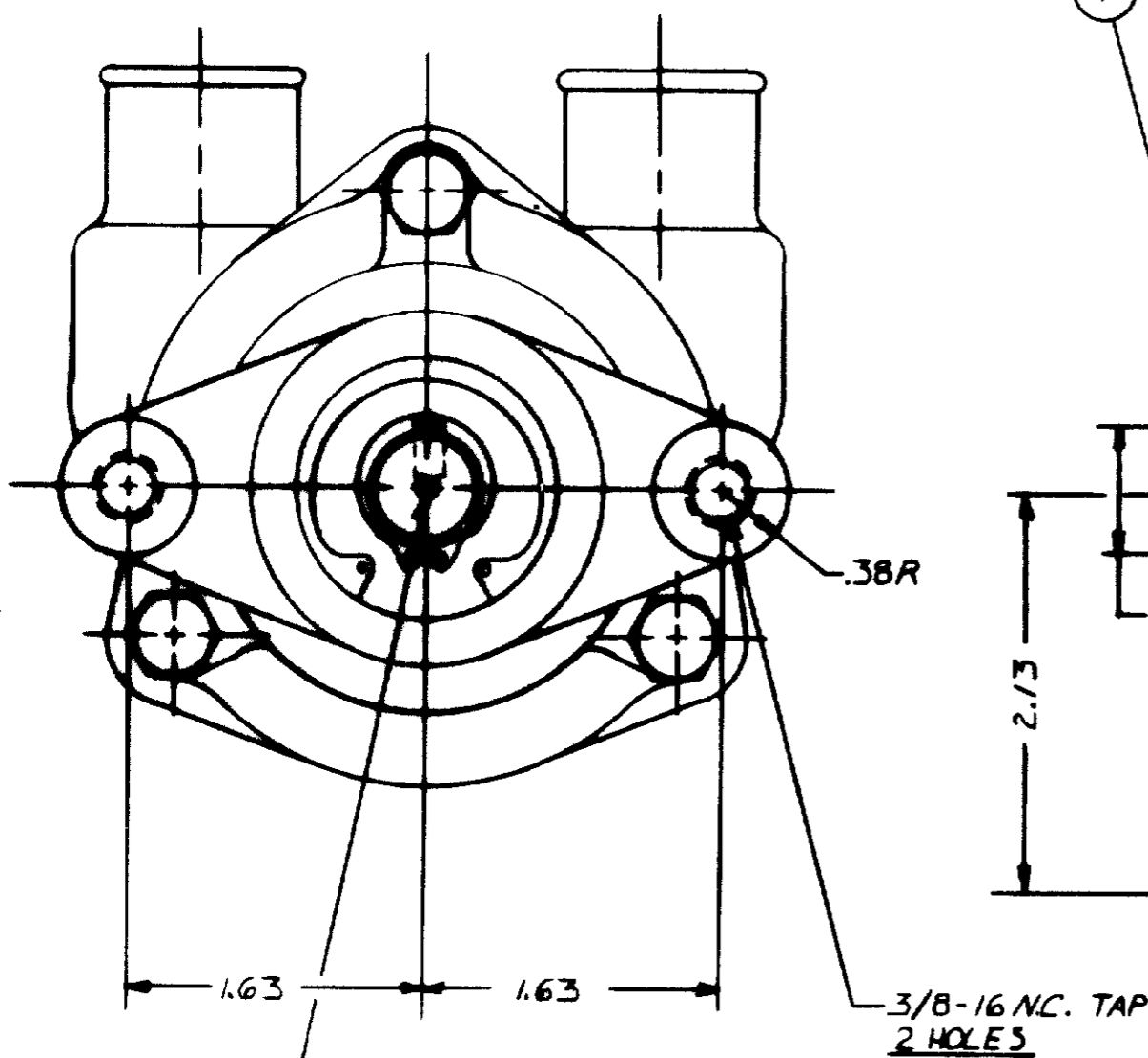


FIG. 289

UNLESS OTHERWISE SPECIFIED		SHERWOOD A DIVISION OF HYPRO CORPORATION 6331 E. JEFFERSON AVE. • DETROIT, MICHIGAN 48207	
CAST DIMENSIONS ± .02	FILLET & RADII .06	DRAFTSMAN	DATE
FINISH STOCK .07	MACHINING TOLERANCE, INCHES	R.I.	11-14-79
XX ± .01, XXX ± .005	SURFACE ROUGHNESS	CHECKER	DATE
ANGLES ± 0° 30'	CORNER BREAKS .01 MAX.	RBM	11-15-79
PARALLELISM .001	FLATNESS .001	TITLE	
SQUAERNESS .001	CONCENTRICITY .001	PUMP ASSEMBLY - RUBBER IMPELLER	
ROUNDNESS .0002	RUNOUT .001	MATERIAL	DWG NO.
C 12859 WAS 12322		SEE DETAILS	
B REDRAWN WITHOUT CHANGE		G-2	
REV	DESCRIPTION	APPR	DATE