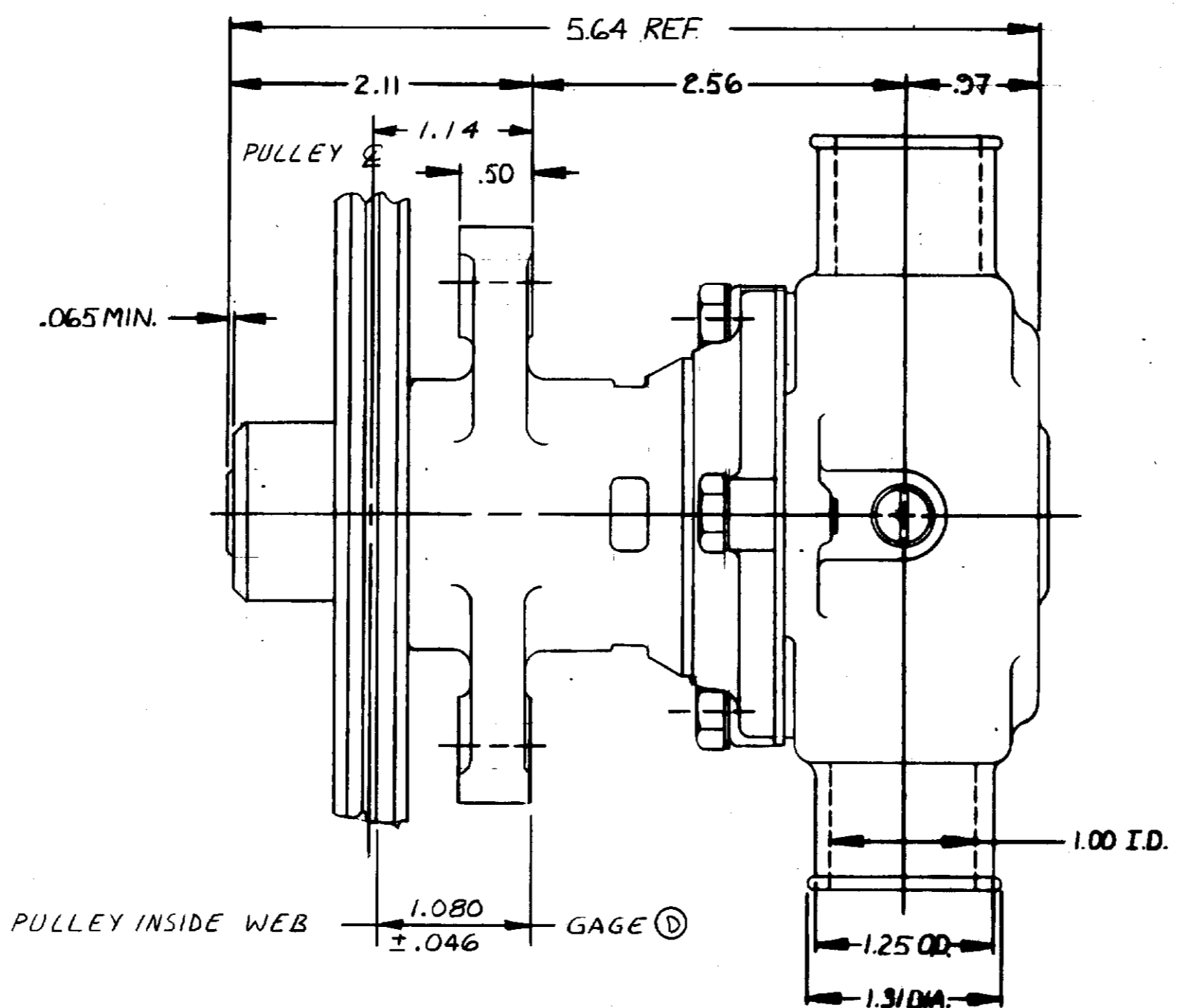


PARTS LIST			
ITEM	PART N ^o	DESCRIPTION	REQ'D
1	4259	RET. RING	2
2	4258	RET. RING	3
3	12857	CAP SCREW 1/4-20x7/8	3
4	12710	LOCKWASHER	3
5	12231	"O" RING GASKET	1
6	10515	SCREW	1
7	10344	CAM	1
8	4432	DRIVE KEY	1
9	12228	HOUSING	1
10	13363	SHAFT	1
11	10615	IMPELLER	1
12	4264	THRUST WASHER	1
13	12856	END PLATE	1
14	12256	SEAL SEAT	1
15	12314	MECH. SEAL	1
16	12211	BALL BEARING	2
17	5133	BEARING SPACER	1
18	17501	BODY	1
19	13285	TAG	1
20	13362	PULLEY ASSY	1
21	12855	GASKET	1
22	11516	PALLET	1
23	14120	TUBE	1
24	14122	PAD	6
25	18025	INSERT	4

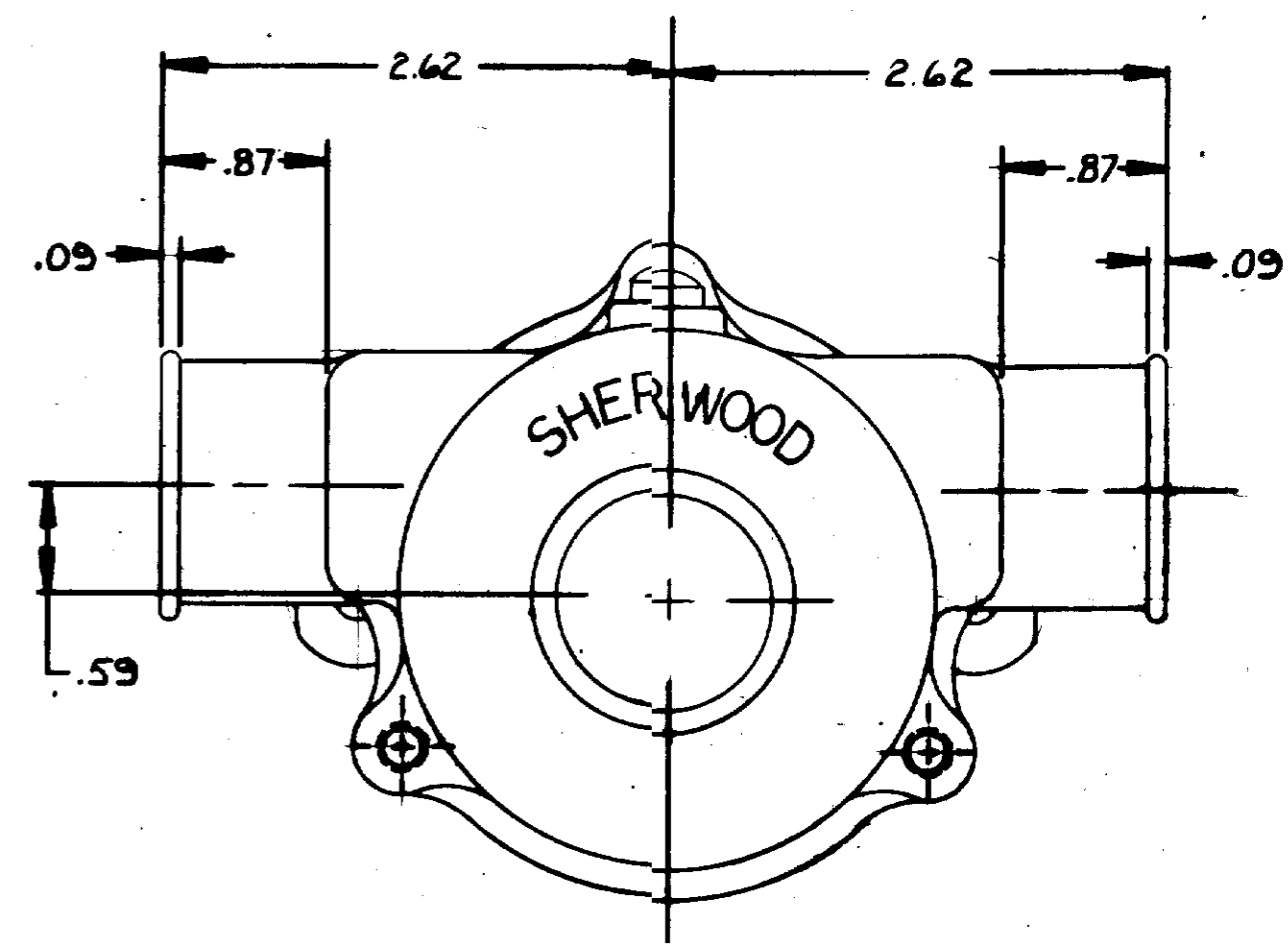
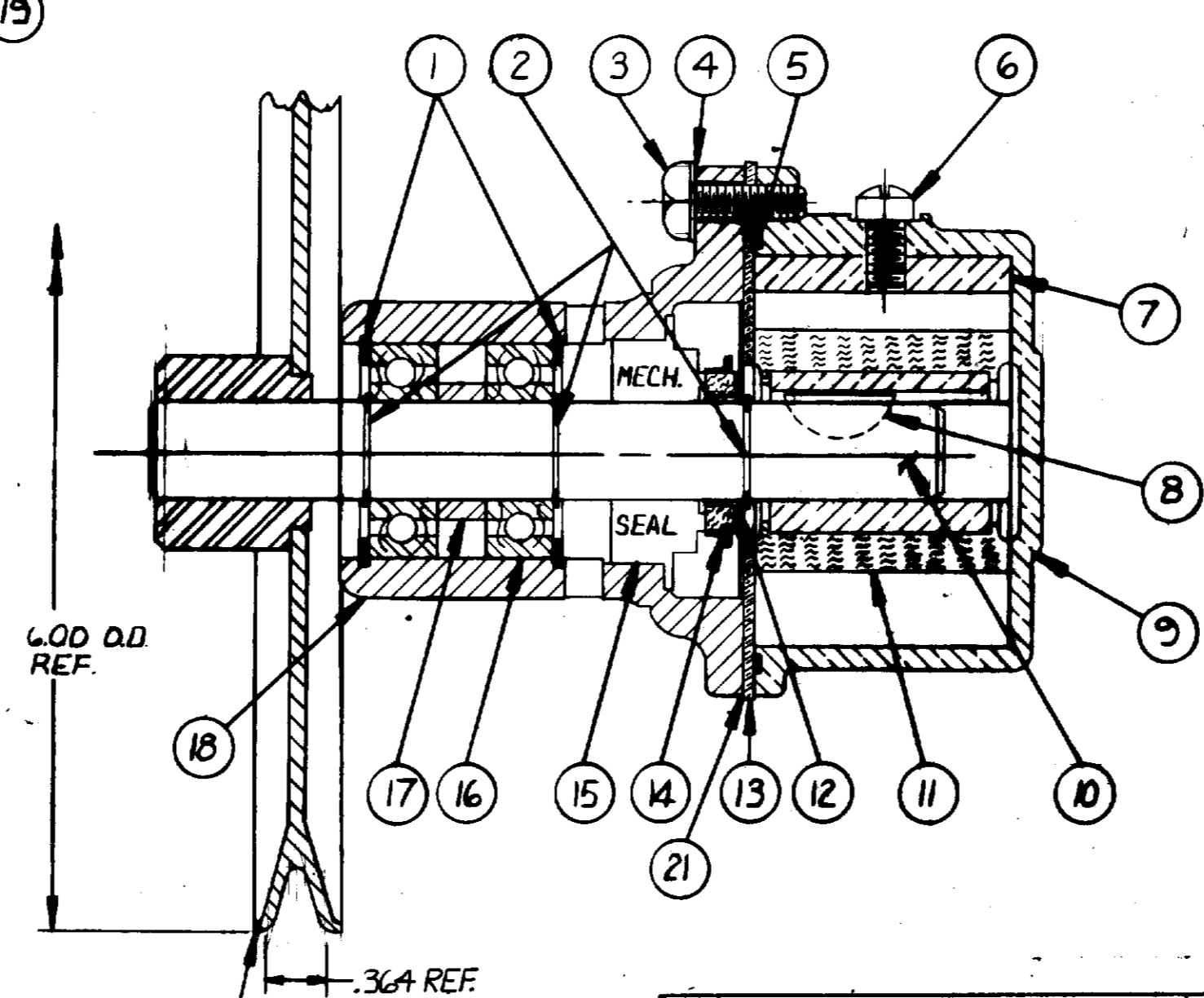
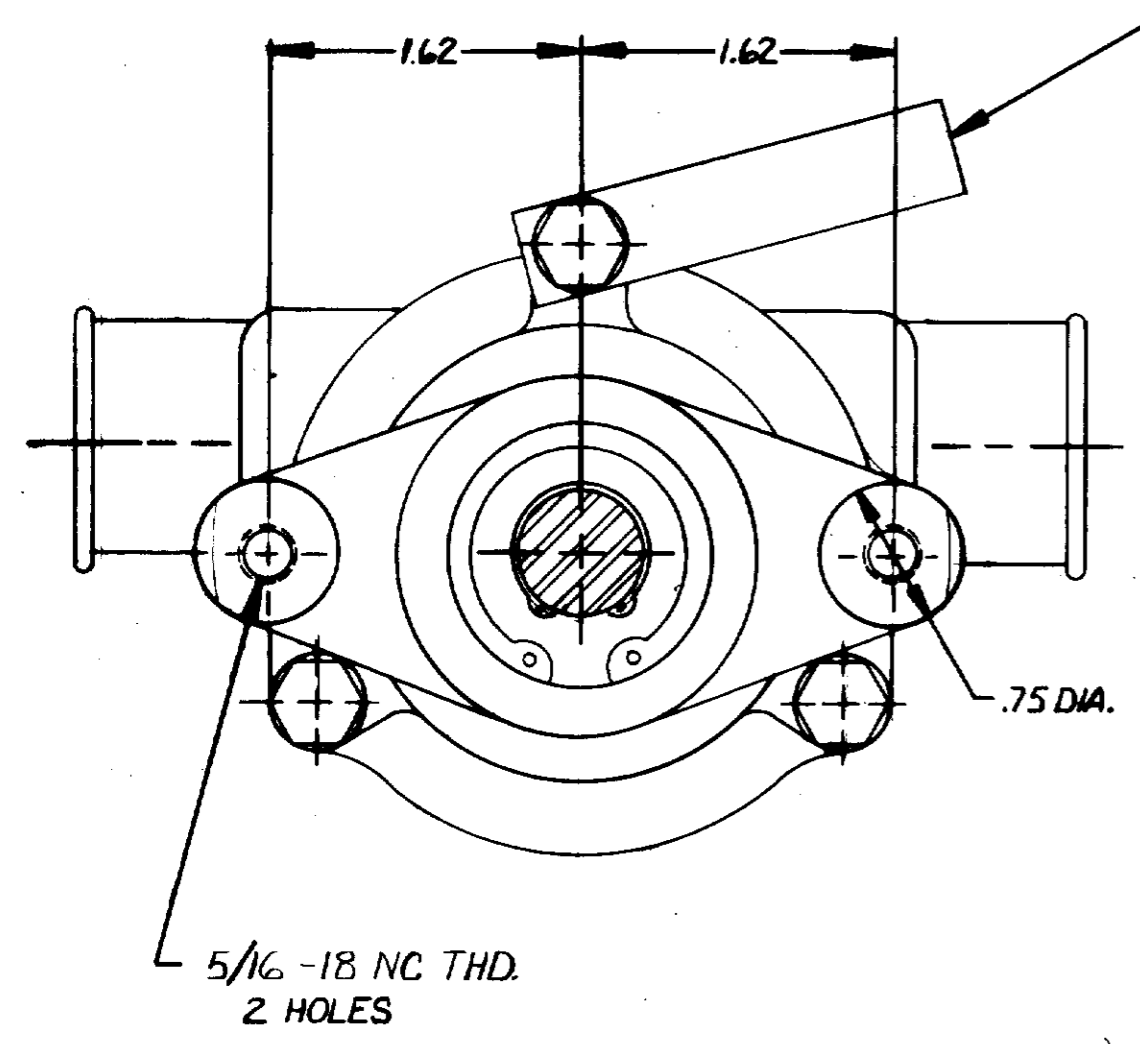


SERVICE KIT		
KIT	PART N ^o	ITEM N ^o 'S
SEAL AND SEAT	12859	14(C) AND 15(C)
MAJOR REPAIR KIT #12794		
MINOR REPAIR KIT #12394		
SERVICE KIT # 18158 (A)		

25 PUMPS / LAYER x 4 LAYERS = 100 PUMPS / PALLET

UNIT PACKAGING
 N^o17636 CARTON W 1 REQ'D
 12209 LABEL 1 REQ'D

STAMP PUMP ASSEMBLY N^o *G26 AND DATE CODE ON TAG AND ATTACH WITH SCREW.



.0025 GAL/REV.
 FLOW CURVES 71035R-71036R

TO PROVIDE MAXIMUM SHAFT TO PULLEY BREAK AWAY TORQUE THE SHAFT MUST BE HELD SQUARE WITH THE PULLEY HUB WHEN THEY ARE PRESSED TOGETHER. SHEARING OF METAL WILL REDUCE BREAKAWAY TORQUE.

REV.	DESCRIPTION	APPR.	DATE
D	GAGE DIMENSION ADDED	KB	7-9-91
C	12859 WAS 12322	SH	7/29/90
B	12314 WAS 8388	SH	11-11-88
A	SERVICE KIT ADDED	SH	10-24-88

UNLESS OTHERWISE SPECIFIED TOLERANCE TO BE
 CAST DIMENSION ± .020
 MACHINED DIMENSION FRACTIONAL ± .010 DECIMAL ± .008
 ANGLES ± 1/2°
 MACHINED SURFACE ROUGHNESS ALLOW 1/16 STOCK ON ALL FINISHED SURFACES FOR MACHINING.
 BREAK ALL SHARP EDGES 0.10 MAX.
 CAST. FILLETS AND RADI 1/16 R

SHERWOOD
 A DIVISION OF HYPRO CORPORATION
 8331 E. JEFFERSON AVE. • DETROIT, MICHIGAN 48207

DRAFTSMAN	DATE	CHECKER	DATE	ASSY NO.
KW	2-28-84	RBM	2-28-84	

TITLE: PUMP ASSEMBLY RUBBER IMPELLER
 MATERIAL: SEE DETAILS
 DWG. NO: G26

PROJ. N^o 551