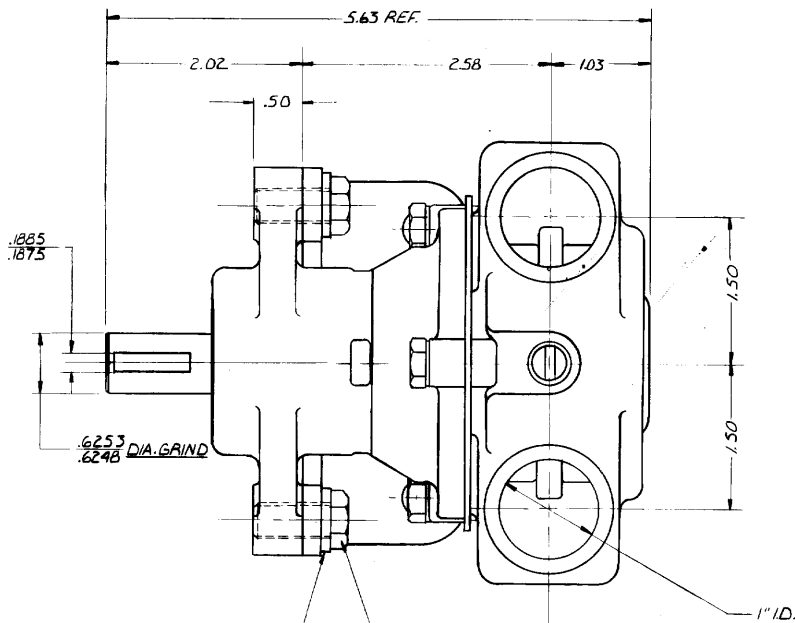
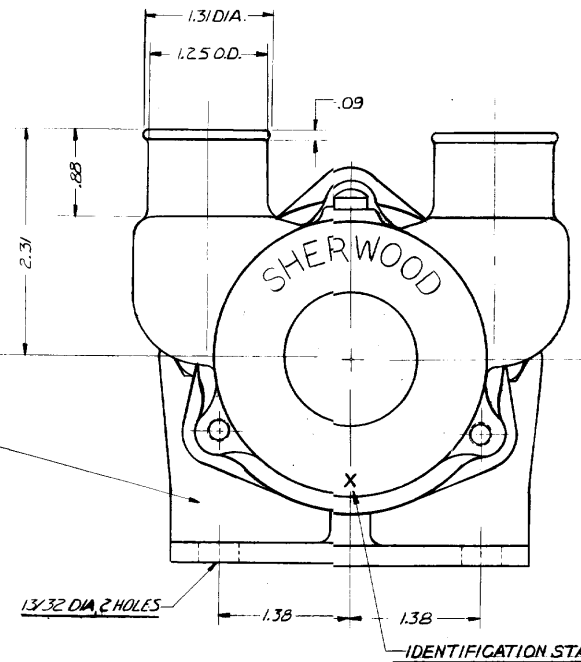
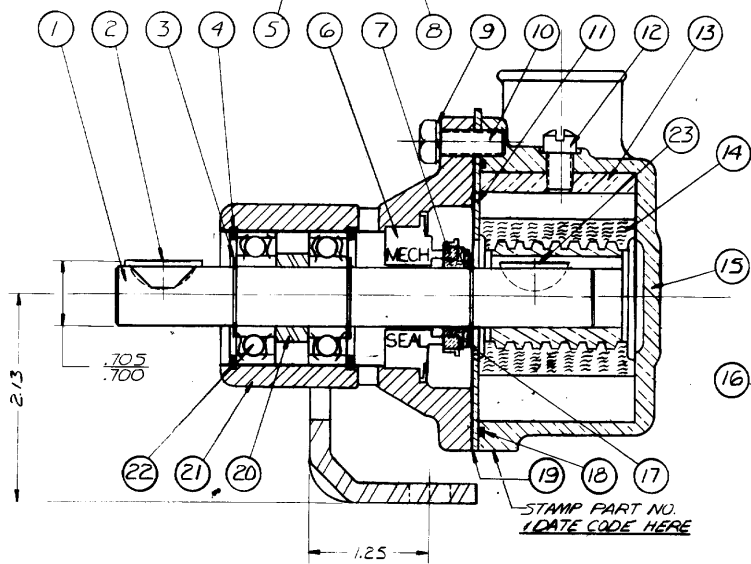
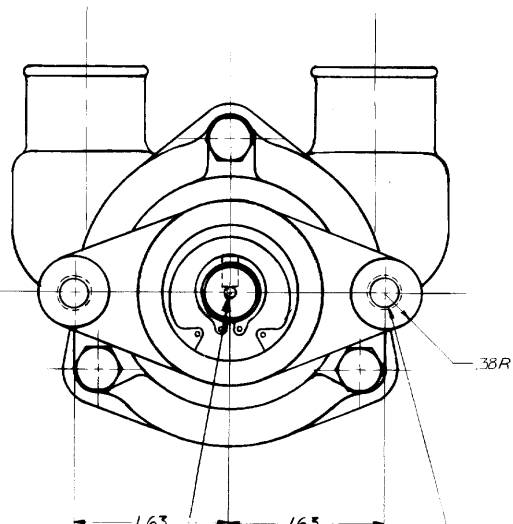


PARTS LIST

ITEM	PART NO.	DESCRIPTION	REQ'D
1	11877	SHAFT	1
2	12622	NO. 9 NON-ROK KEY	1
3	4258	RET. RING EXT.	3
4	4259	RET. RING INT.	2
5	4991	3/8 STD. LOCKWASHER	2
6	12314	MECH SEAL	1
7	12256	SEAL SEAT	1
8	11633	CAPSCREW 3/8-16x3/4	2
9	P-12710	1/4 LIGHT LOCKWASHER	3
10	12857	CAPSCREW 1/4-20x7/8	3
11	12856	END PLATE	1
12	10515	SCREW 1/4-20x3/8	1
13	10944	CAM (188)	1
14	10615	IMPELLER	1
15	12907	HOUSING	1
16	12393	MOUNTING BRACKET	1
17	4264	THRUST WASHER	1
18	12231	"O" RING	1
19	12855	GASKET	1
20	5153	SPACER BRG	1
21	12227	BODY	1
22	12211	BALL BRG.	2
23	4432	NO. 9 WOODRUFF KEY	1
24	17653	JIFFY BAG N#5	1
25	17659	CARTON Y	1
26	12209	LABEL	1



SERVICE ASS'Y NO.'S	COMPONENT ITEM NO.'S
(E) SEAL & SEAT ASS'Y NO. 12859	6E7
MAJOR REPAIR KIT	NO. 12734
MINOR REPAIR KIT	NO. 12394



CENTER DRILL MARK (THIS END)

FLOW CURVE: 71035R-71036R

UNLESS OTHERWISE SPECIFIED TOLERANCE TO BE

MACHINED DIMENSION	± .020
FRACTIONAL	± .010
DECIMAL	± .005
ANGLES	± 1/2°
MACHINED SURFACE ROUGHNESS	ALLOW 1/16 STOCK ON ALL FINISHED SURFACES FOR MACHINING
BREAK ALL SHARP EDGES	.010 MAX
CAST FILLETS AND RADII	1/16 R

**SHERWOOD**  
A DIVISION OF HYPRO CORPORATION  
6831 E. JOHNSON AVE. • DETROIT, MICHIGAN 48202

DRAWN	DATE	CHECKED	DATE	APP'ND
R.A.	11-8-79	R.B.M.	11-15-79	

TITLE: PUMP ASSEMBLY - RUBBER IMPELLER

MATERIAL: SEE DETAILS

DWG NO: G4

REV	DESCRIPTION	DATE
E	12859 WAS 12322	SH 7/8/90
D	17644 WAS 17636	SA 9/13/89
F	12907 WAS 11904	ST 9-29-87
B	12314 WAS 8388	SH 11-11-86
A	IDENTIFICATION STAMP ADDED	

68-7001-88