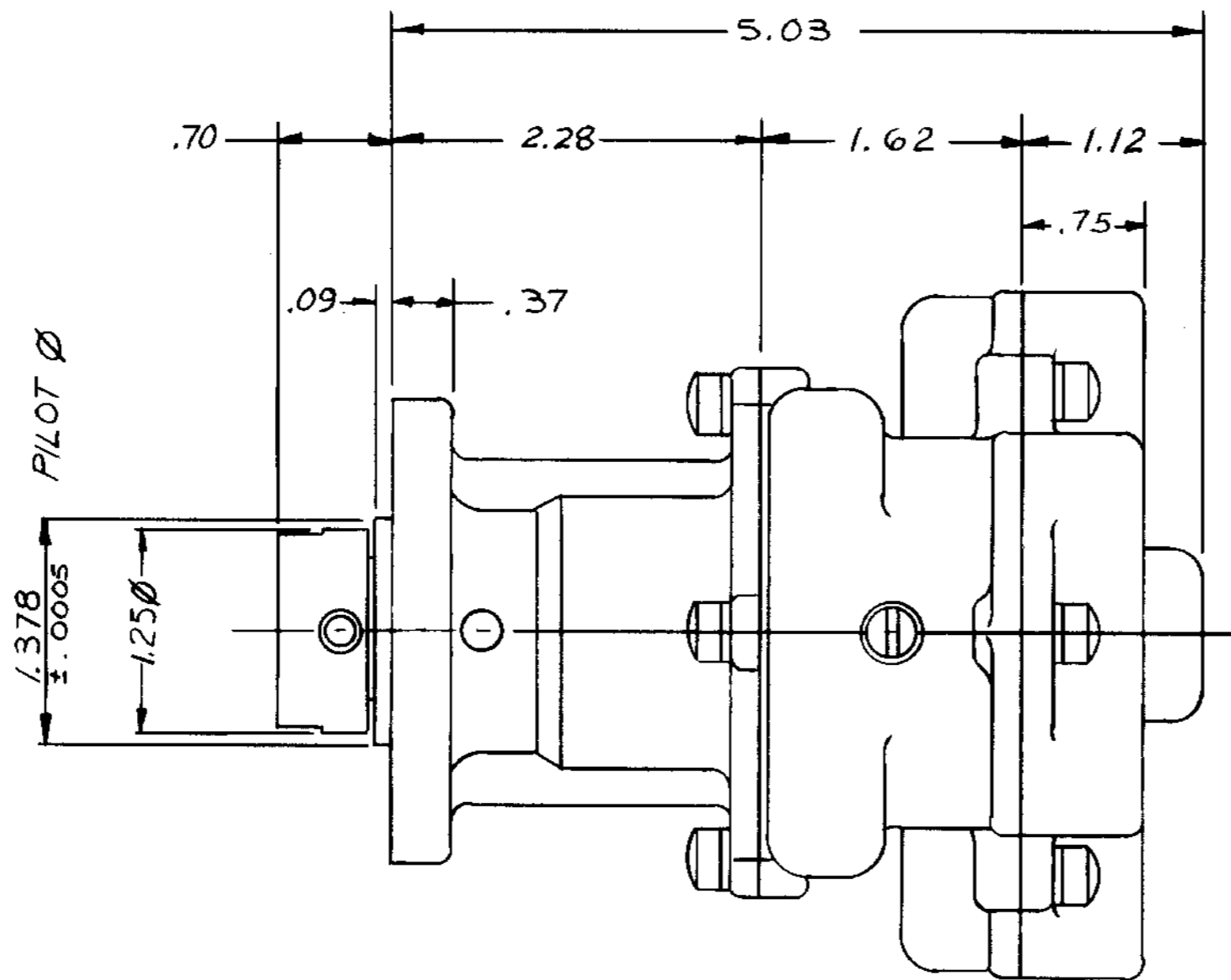


PARTS LIST

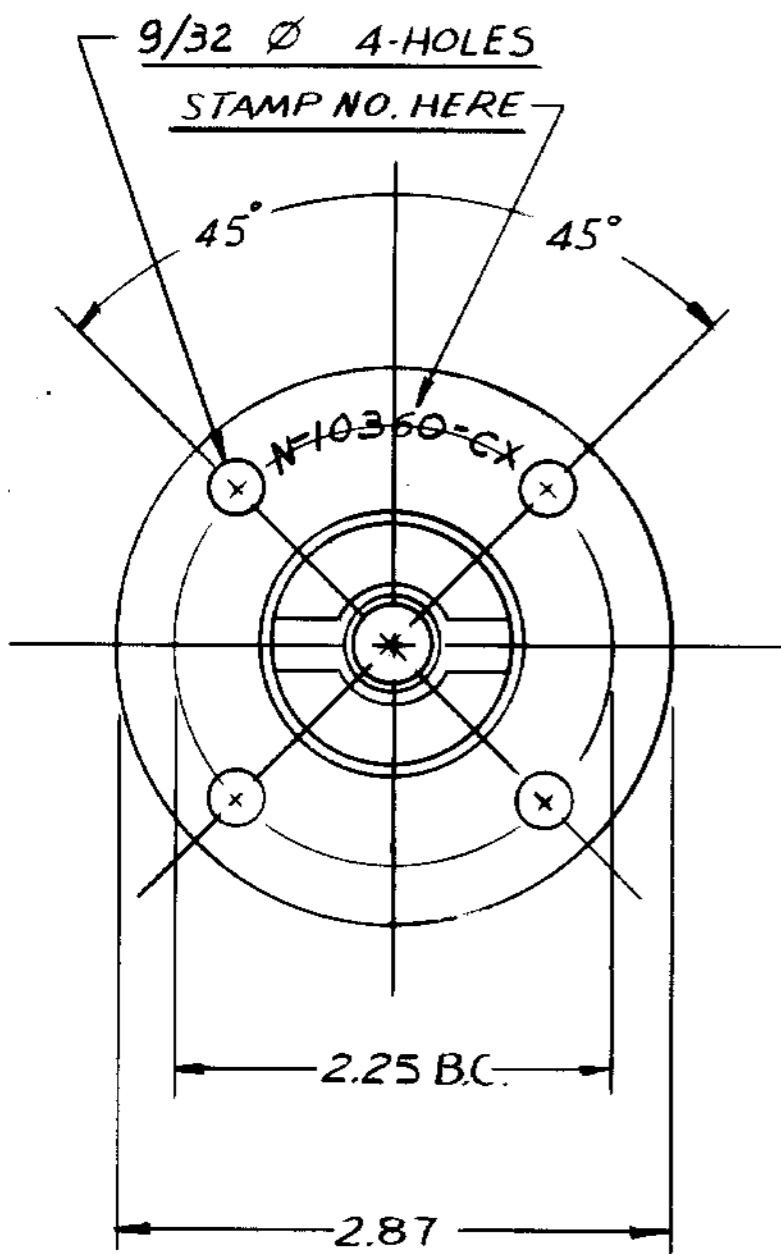
ITEM	PART NO	DESCRIPTION	REQ'D
1	10416	HOUSING	1
2	9921	SCREW	1
3	12710	WASHER	10
4	9919	SCREW	10
5	1311	PIN	4
6	10134	CAM	1
7	10093	KEY	2
8	2075	BUSHING (GRAPHITE)	1
9	10078	SHAFT	1
10	4304	RETAINING RING	1
11	9907	COVER	1
12	10077	IMPELLER	2
13	10079	SPACER PLATE	1
14	9918	GASKET	1
15	336	PLUG	1
16	9917	GASKET	1
17	10522	SEAL	1
18	10462	SEAL SEAT	1
19	9909	BODY	1
20	4306	BEARING	1
21	528	PIN	1
22	9913	COUPLING	1
23	13285	TAG	1
24	17636	CARTON	1
25	12209	LABEL	1
26	14486	JIFFY BAG N° 4	1



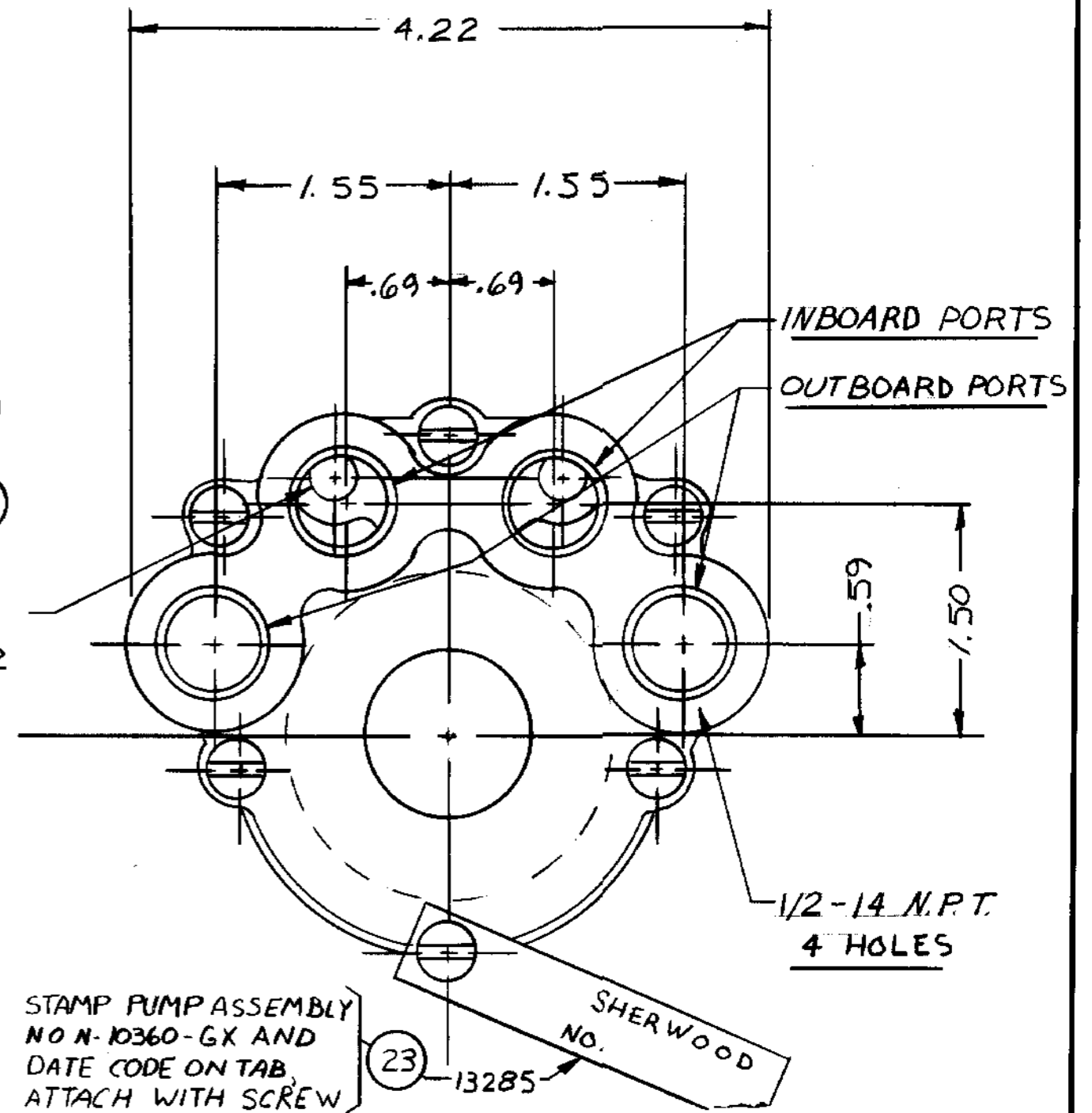
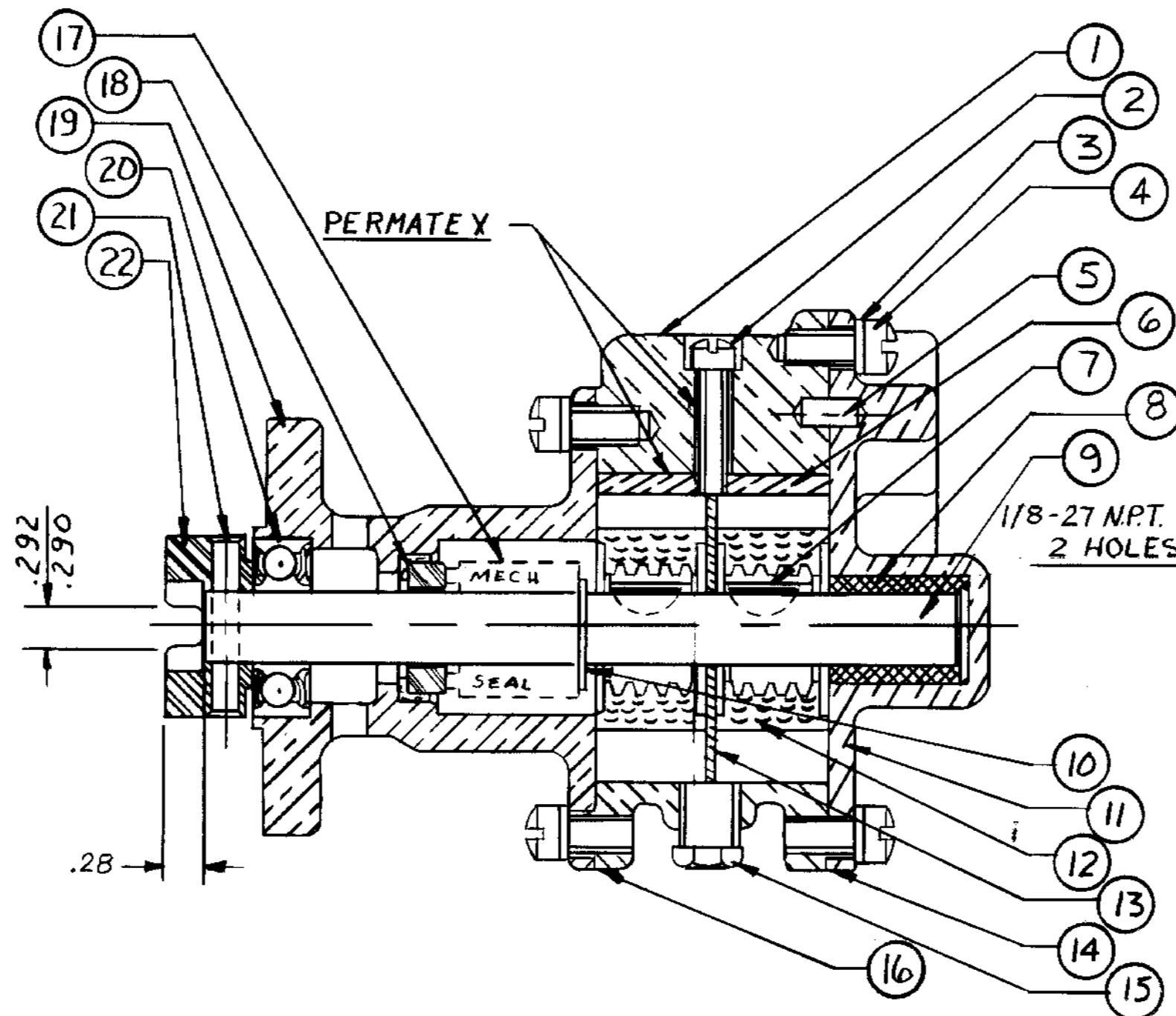
SERVICE PART NO.	COMPONENT PART NO'S	NO. REQ.
9922	9907	1
COVER	2075-G	1
10428	10416	1
HOUSING	1311	4
10546	10522	1
SEAL & SEAT	10462	1

SERVICE REPAIR KIT N° 10244		
1-N° 2075-G	1-N° 9917	
1-N° 4306	2-N° 10677	
1-N° 10546	1-N° 9918	

12301 MAJOR SERVICE KIT



(E)



STAMP PUMP ASSEMBLY
NO N-10360-GX AND
DATE CODE ON TAB,
ATTACH WITH SCREW

REPLACE PUMP FROM N-9990 & N-10370-G

CAPACITY
8.5 G.P.M. MIN. @ 3400 R.P.M.
EACH PORT

REV.	DESCRIPTION	APPR	DATE
F	JIFFY BAG ADDED	BM	11/11/88
E	CARTON & LABEL ADDED	SH	9/13/89
D	REDRAWN	KB	8/17/86

UNLESS OTHERWISE SPECIFIED

CAST DIMENSIONS ± .02
FILLET & RADII .06
FINISH STOCK .07
MACHINING TOLERANCE, INCHES
XX ± .01, XXX ± .005
SURFACE ROUGHNESS
ANGLES ± 0° 30'
CORNER BREAKS .01 MAX.
PARALLISM .001
FLATNESS .001
SQUARINESS .001
CONCENTRICITY .001
ROUNDNESS .0002
RUNOUT .001

SHERWOOD
A DIVISION OF HYPO CORPORATION
6331 E. JEFFERSON AVE. • DETROIT, MICHIGAN 48207

DRAFTSMAN	DATE	CHECKER	DATE	ASSY NO.
KB	8-7-86			

TITLE
IMPELLER PUMP ASS'Y

MATERIAL	DWG. NO.
SEE DETAILS	N-10360-GX