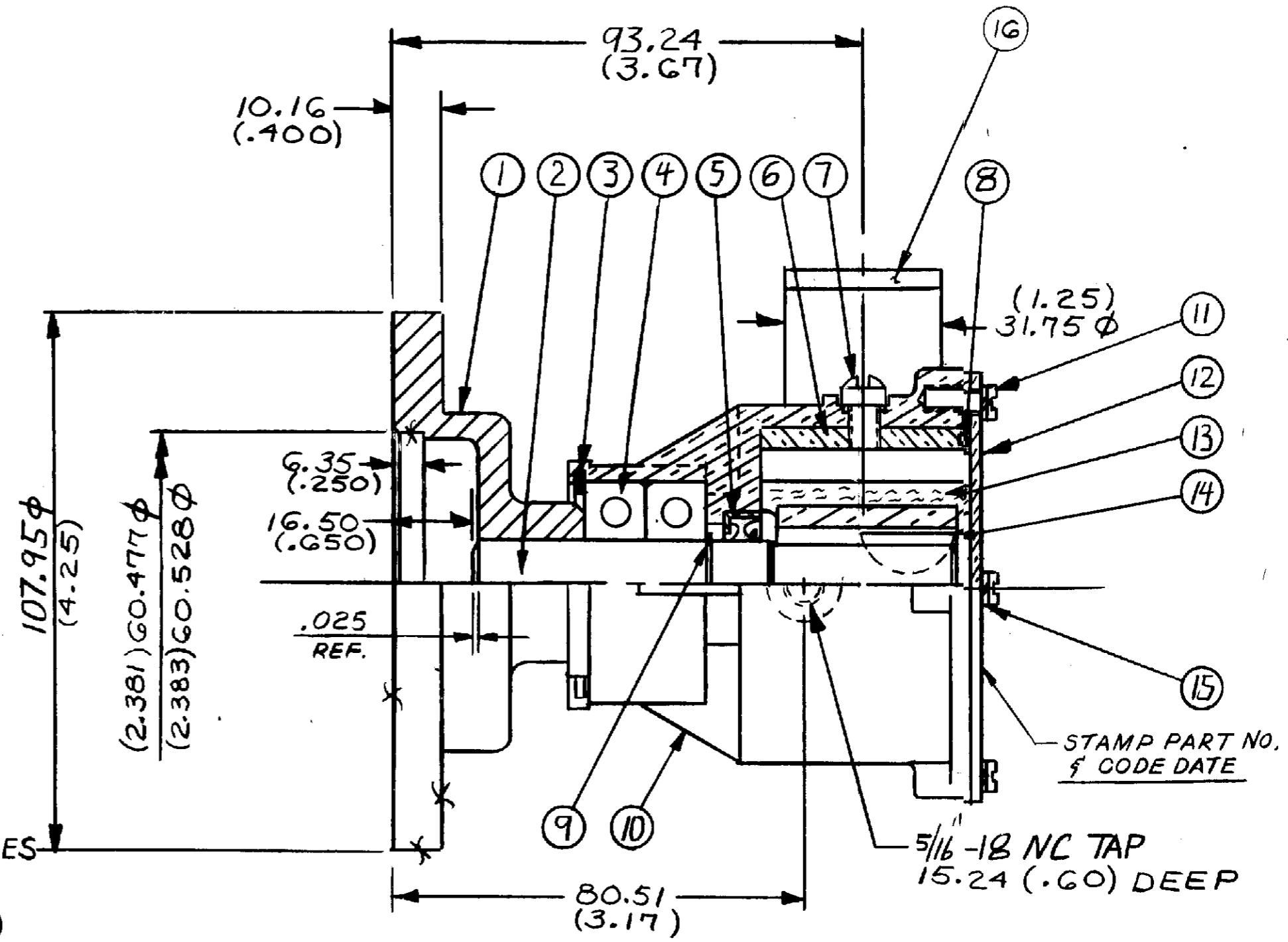
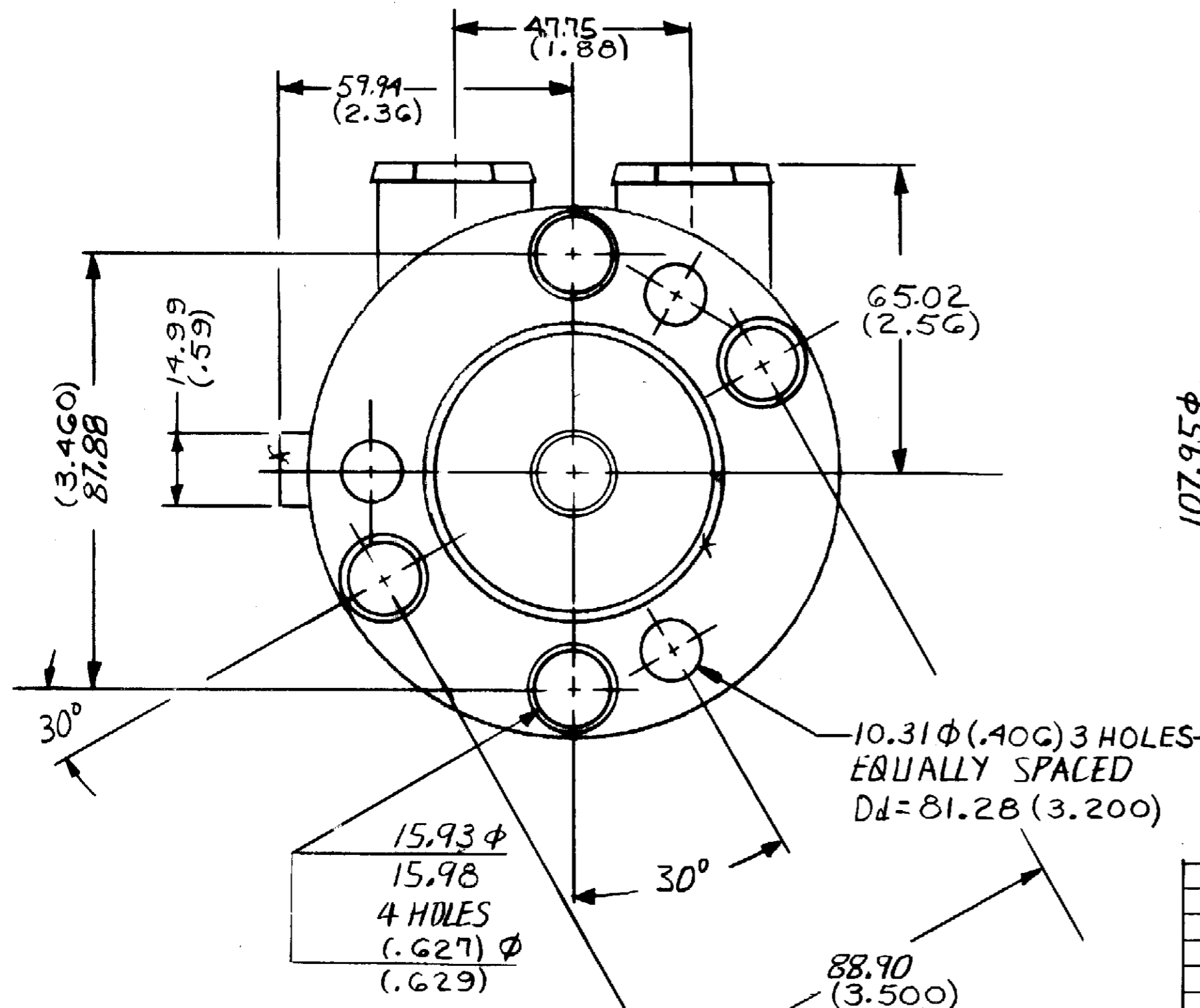


PARTS LIST			
ITEM	DESCRIPTION	QTY	PART NO
1	ADAPTOR	1	19275
2	SHAFT	1	19308
3	INT. RET. RING	1	5126
4	BALL BEARING	2	8490
5	LIP SEAL	1	18652
6	CAM	1	10944
7	CAM SCREW	1	10515
8	O-RING	1	12231 (B)
9	EXT. RET. RING	1	6837
10	BODY	1	19728 (C)
11	SCREW	4	344
12	COVER	1	21120 (A)
13	IMPELLER	1	10615
14	KEY	1	4432
15	LOCKWASHER	4	343
16	PORT BEAD	2	19385
2,3,4,5,8,13	MAJOR REPAIR KIT	SERVICE	19354
8,13	MINOR REPAIR KIT	SERVICE	19355



15.93 phi  
15.98  
4 HOLES  
(.627) phi  
(.629)

METRIC / (ENGLISH)

UNLESS OTHERWISE SPECIFIED		<b>SHERWOOD</b>	
CAST DIMENSIONS ± .02		A DIVISION OF HYPRO CORPORATION	
FILBETS & RADII .06		6331 E. JEFFERSON AVE. • DETROIT, MICHIGAN 48207	
FINISH STOCK .07		DRAFTSMAN	DATE
MACHINING TOLERANCE INCHES		JAB	12/26/90
XX ± .01, XXX ± .005		CHECKER	DATE
SURFACE ROUGHNESS		A.V.B	12/26/90
ANGLES ± 0° 30'		APPR. NO.	975
CORNER BREAKS R1 MAX.		TITLE	
PARALLELISM .001		RUBBER IMPELLER PUMP ASS'Y	
FLATNESS .001		MATERIAL	DWG NO.
SQUARINESS .001		SEE DETAILS	P105
CONCENTRICITY .001			
ROUNDNESS .0002			
RUNOUT .001			

REV.	DESCRIPTION	APPR.	DATE
C	BODY WAS NO. 18972	DEA	6-21-93
B	GASKET WAS NO. 19251	DEA	6-21-93
A	COVER WAS NO. 19386	DEA	6-21-93