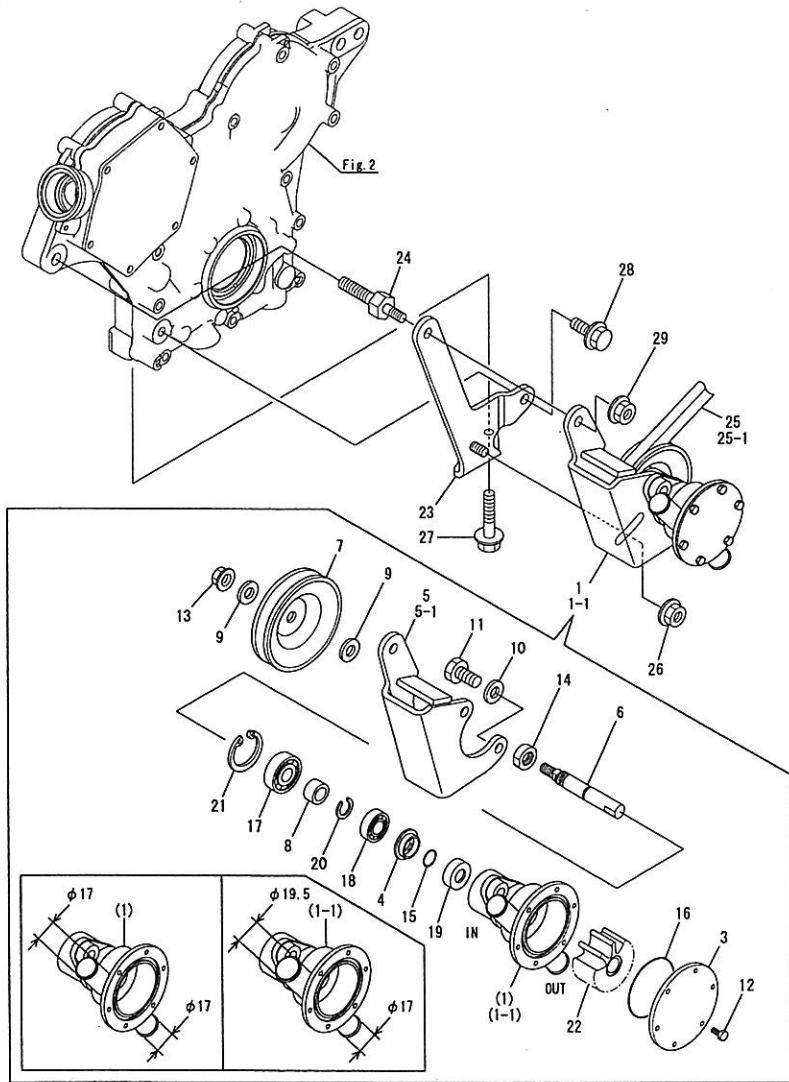


Fig.13.COOLING SEA WATER PUMP



(A)=3YM20
(B)=
(C)=

(D)=
(E)=
(F)=

No.	Lev.	Parts No.	Description	QTY						I	R
				(A)	(B)	(C)	(D)	(E)	(F)		
1	1	128990-42500	PUMP ASSY, WATER	1							
1-1	1	128990-42510	PUMP ASSY, WATER	1							S 2
(A=2009.02)											
3	2	X0142398	COVER	1							
4	2	X0145050	PLATE	1							
5	2	128990-42150	BRACKET, PUMP	1							
5-1	2	128990-42151	BRACKET, PUMP	1							F 1
(A=E00304)											
6	2	X0146541	SHAFT	1							
7	2	124070-42400	V-PULLEY	1							
8	2	X0146542	SPACER	1							
9	2	X014678901	WASHER	2							
10	2	X00353309	WASHER	2							
11	2	X00141916	SCREW	2							
12	2	128990-42520	SCREW	6							
13	2	X00190050	NUT, LOCK	1							
14	2	X00183200	NUT	1							
15	2	X02173432	O-RING	1							
16	2	X02173476	O-RING	1							
17	2	X03431760	BEARING, BALL	1							
18	2	X03431748	BEARING, BALL	1							
19	2	X02233010	SEAL, LIP	1							
20	2	X00370012	RING, RETAINING	1							
21	2	X00371732	RING, RETAINING	1							
22	2	128990-42200	IMPELLER, D=50.8	1							
23	1	128990-42160	BRACKET, PUMP	1							
24	1	128990-42170	BOLT	1							
25	1	128990-77350	V-BELT, M/20	1							
25-1	1	104511-78780	V-BELT, M/19	1							F 1
(A=E00304)											
26	1	26366-080002	NUT, M8	1							
27	1	26106-060302	BOLT, M6X 30 PLATED	1							
28	1	26106-080202	BOLT, M8X 20 PLATED	1							
29	1	26366-080002	NUT, M8	1							

Remarks

- (1)Interchangeable by simultaneous replacement with Ref.No.5-1,25-1.
- (2)Interchangeable by simultaneous replacement with loalarrangements pump entrance hose.(57mm-68mm)