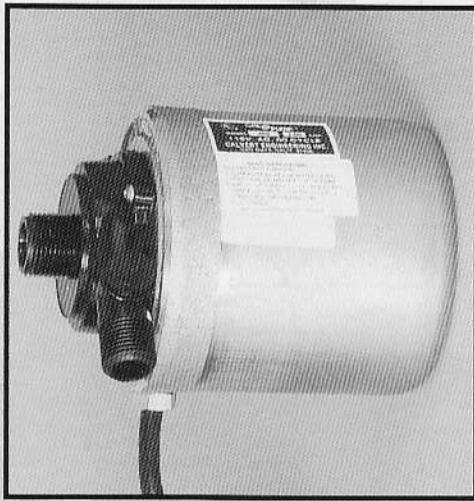


CAL MARINE

From CAL  PUMP

Heavy Duty Marine Low Pressure Pumps

MS1200 - MS900 - MS580



*Install Horizontal or Shaft down
for Open Air Application.

- Ⓢ *Stainless steel/bronze construction/nylon volute*
- Ⓢ *Submersible or open air operation**
- Ⓢ *Available 115 VAC or 230 VAC*
- Ⓢ *6' power cord, custom cord lengths available*
- Ⓢ *Complies with ABYC standards*
- Ⓢ *Dimensions 4.25" x 6.25"*
- Ⓢ *Thermal overload protection/Viton double lip seals*
- Ⓢ *Fresh or saltwater rated*
- Ⓢ *3/4" NPT suction, 1/2" NPT discharge*
- Ⓢ *304 stainless shaft with hard chrome plate*
- Ⓢ *304 stainless steel motor housing*
- Ⓢ *Available with or without universal mounting bracket*

SPECIFICATIONS/PERFORMANCE

MODEL	VOLTAGE	Hz	H.P.	Amp.	1'	3'	5'	9'	13'	Max.
MS1200	115 VAC	60 Hz	1/9	3.3	1200	980	840	660	540	20
MS1200-230	230 VAC	50/60 Hz	1/9	1.5	1000	820	700	450	260	17
MS900	115 VAC	60 Hz	1/12	2.6	900	720	620	425	390	17
MS900-230	230 VAC	50/60 Hz	1/12	1.4	750	600	520	350	320	15
MS580	115 VAC	60 Hz	1/15	2.5	580	425	390	320	260	15
MS580-230	230 VAC	50/60 Hz	1/15	1.3	490	350	330	260	--	12.9

CAL MARINE

From CAL  PUMP

Medium Duty Marine Low Pressure Pumps

MS320 - MS225




*Install Horizontal or Shaft down for Open Air Application.

- Ⓜ *Stainless steel/bronze construction/nylon volute*
- Ⓜ *Submersible or open air operation**
- Ⓜ *Available 115 VAC or 230 VAC*
- Ⓜ *6' power cord, custom cord lengths available*
- Ⓜ *Complies with ABYC standards*
- Ⓜ *Dimensions 3.75" x 4.75"*
- Ⓜ *Thermal overload protection/Viton double lip seals*
- Ⓜ *Fresh or saltwater rated*
- Ⓜ *1/2" NPT suction, 3/8" NPT discharge*
- Ⓜ *316 stainless steel shaft*
- Ⓜ *304 stainless steel motor housing*
- Ⓜ *Available with or without universal mounting bracket*

SPECIFICATIONS/PERFORMANCE

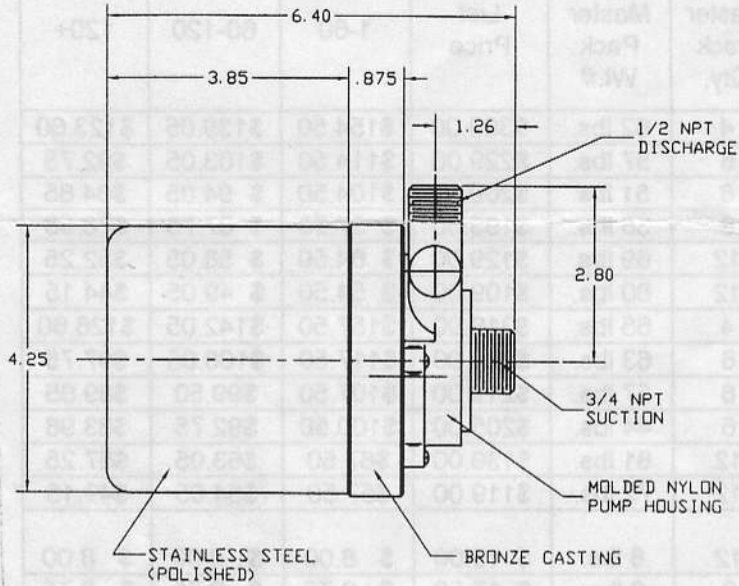
MODEL	VOLTAGE	Hz	H.P.	Amp.	1'	3'	5'	9'	Max.
MS320	115 VAC	60 Hz	1/40	1.5	320	260	200	140	12
MS320-230	230 VAC	50/60 Hz	1/40	.90	270	210	160	120	10
MS225	115 VAC	60 Hz	1/80	1.1	225	170	120	--	6
MS225-230	230 VAC	50/60 Hz	1/70	.50	190	140	--	--	5

DISTRIBUTED BY

Manufactured By CAL  PUMP
 A Division of Calvert Engineering
 13278 Ralston Avenue, Sylmar, CA 91342

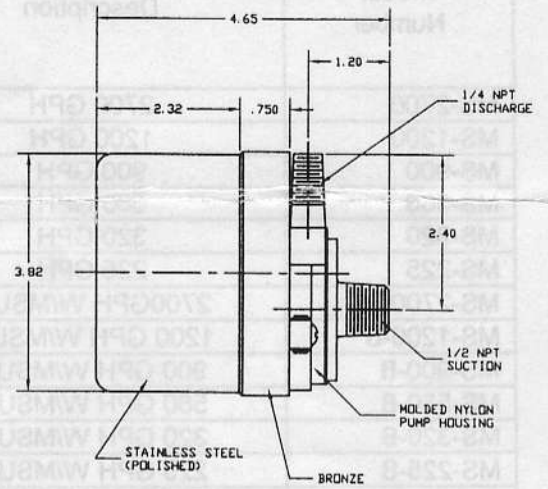
CAL MARINE DIMENSIONAL DRAWINGS

MS-580/MS-900/MS-1200



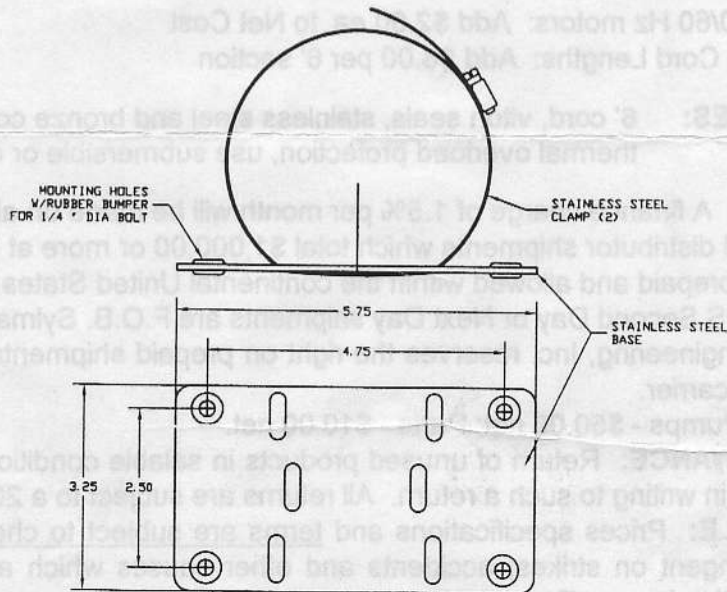
*DRAWINGS ARE NOT TO SCALE

MS-320/MS-225



*DRAWINGS ARE NOT TO SCALE

MSUB - UNIVERSAL MOUNTING BRACKET



*DRAWINGS ARE NOT TO SCALE