



ITT

Flojet Triplex® Series

HIGH PRESSURE PUMPS



Flojet Triplex High Pressure Pumps are engineered to be the most advanced and reliable product available.

The redesigned and improved pumps offer unequalled performance and life.

Flojet's unique three chamber design allows these pumps to operate at exceptional flow rates and pressures. With operating pressures up to 150 PSI (10.3 Bar) and self-priming capabilities. Flojet Triplex pumps are designed to be the most versatile pumps on the market today. They are the ideal solution for applications including spraying, misting, filtration, cooling, dispensing and pressure boosting.

The Flojet Triplex Series High Pressure Pumps are available now in 12V DC, 24V DC, 115V AC and 230V AC models, and being made from Santoprene®/EPDM and Santoprene®/Viton® makes them capable of handling a broad range of chemicals.

Features and Benefits

- Flow rates up to 1.4 GPM (5.3 LPM) and operating pressure of up to 150 PSI (10.3 Bar)
- Constructed from a selection of materials suitable for handling a broad range of chemicals
- Innovative bypass design
- Self priming up to 8 ft (2.4m)
- Sealed motor
- Can run dry for extended periods of time without damage
- Coinjected molded diaphragm technology
- Consistent pressure over time



Engineered for life

Applications



- General Industrial**
- Chemical washdown
 - Evaporative Cooling Systems



- Floor Care**
- Carpet Extractors
 - Carpet Cleaning



- Agricultural**
- Misting
 - Spot Sprayers
 - Boom Sprayers (to reach tree tops)

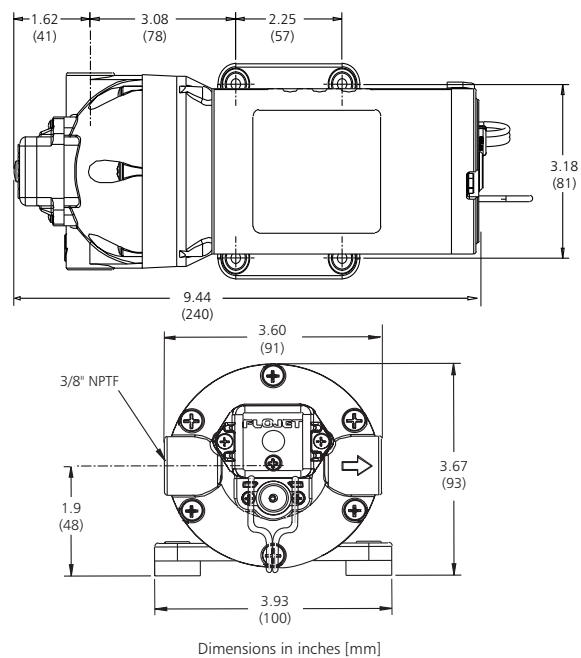
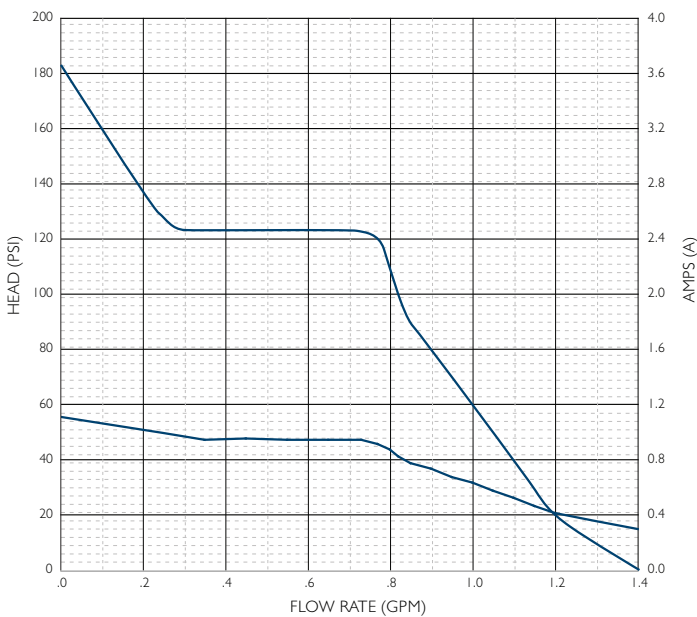


- Automotive**
- Boost Cooling

Specifications

Motor Design	Perm. Magnet TENV (non-ventilated)
Voltage	12 VDC, 24VDC, 115VAC, 230VAC
Amp Draw	1.2 Amps Max for 115VAC
Pump Head Material	Glass Filled Nylon
Elastomers Diaphragm	Santoprene®
Check Valve	EPDM or Viton®
Maximum Flow Rate	1.4GPM (5.3LPM)
Maximum Pressure	150 PSI (10.3 Bar)
Duty Cycle	Intermittent
Weight	7.6 lbs. (3.5 Kg)
Certifications	CE, NSF components
Port Size Inlet/outlet	3/8" NPTF

Head-Flow Chart | Represents 115V AC Models



Std. Models	CE Models	Open Flow	Switch Pressure	Check Valve	Diaphragm	Voltage	Duty Cycle	Port Size
03811133	R3811133	1.4 GPM (5.3 LPM)	150 PSI (10.3 bar)	Viton®	Santoprene®	12 VDC	Intermittent	3/8" NPTF
03811143	R3811143	1.4 GPM (5.3 LPM)	150 PSI (10.3 bar)	EPDM	Santoprene®	12 VDC	Intermittent	3/8" NPTF
03811033	-	1.4 GPM (5.3 LPM)	150 PSI (10.3 bar)	Viton®	Santoprene®	115VAC	Intermittent	3/8" NPTF
03811043	-	1.4 GPM (5.3 LPM)	150 PSI (10.3 bar)	EPDM	Santoprene®	115VAC	Intermittent	3/8" NPTF
03811233	R3811133	1.4 GPM (5.3 LPM)	150 PSI (10.3 bar)	Viton®	Santoprene®	230VAC	Intermittent	3/8" NPTF
03811243	R3811143	1.4 GPM (5.3 LPM)	150 PSI (10.3 bar)	EPDM	Santoprene®	230VAC	Intermittent	3/8" NPTF

Santoprene® and Viton® are registered trademarks of DuPont Performance Elastomers.



Engineered for life

www.flojet.com

USA

ITT Corporation
Cape Ann Industrial Park
Gloucester, MA 01930
Tel: (978) 281-0440
Fax: (978) 283-2619

UK

ITT Industries
Bingley Road, Hoddesdon
Hertfordshire EN11 0BU
Tel: +44 (0) 1992 450145
Fax: +44 (0) 1992 467132

GERMANY

ITT Corporation
Oststrasse 28
22844 Norderstedt
Tel: +49-40-53 53 73-0
Fax: +49-40-53 53 73-11

JAPAN

NHK Jabsco Company Ltd.
3-21-10, Shin-Yokohama
Kohoku-Ku, Yokohama, 222-0033
Tel: +81-045-475-8906
Fax: +81-045-477-1162

ITALY

ITT Corporation
Via Tommaseo, 6
20059 Vimercate, Milano
Tel: +39 039 685 2323
Fax: +39 039 666 307

Warranty: All products of the company are sold and all services of the company are offered subject to the company's warranty and terms and conditions of sale, copies of which will be furnished upon request. The information provided herein is for guidance only, it does not constitute a guarantee of the performance or specification of any individual product or component.