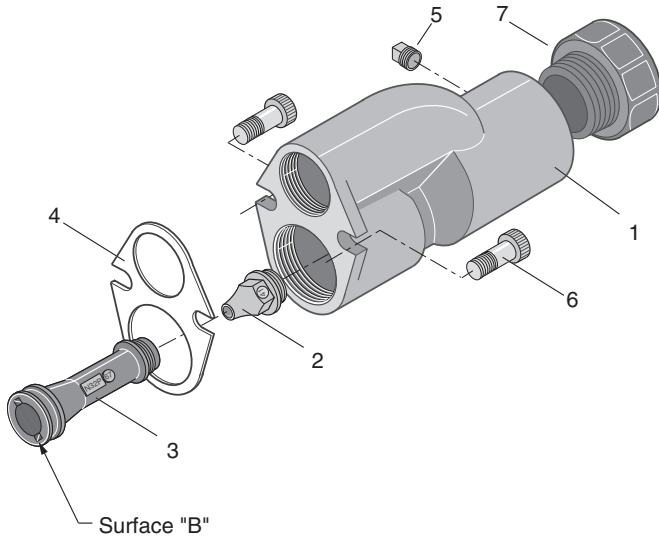


Ejector Package are available for either shallow well or deep well operation. Pump owners manual describes conditions that define shallow well and deep well operation. Read manual over carefully to determine your

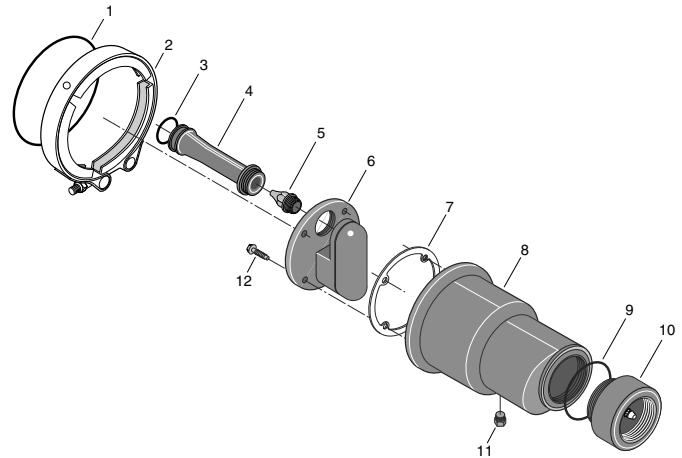
pumping requirements. Note that the nozzle comes pre-installed in ejector body and works with both shallow well and deep well venturis.

Shallow Well Installation

Shallow Well Kit for 4200 Series Pump Kit FP4855



Shallow Well Kit for 4300 Series Pump Kit FP4875



NOTE: Use care not to damage sealing face (marked "Surface B" on drawing above) or internal leakage may occur.

KEY	DESCRIPTION	PART NUMBER
1	Ejector Body	N40-92
2	Nozzle (#51)	N34P-41
3	Venturi, Shallow Well	N32P-66B*
4	Gasket	N20-25
5	Pipe Plug	U78-56ZPS
6	Socket Head Capscrew (2 Req.)	U30-961PS
7	Check Valve	N212-12P

* The 3/4 HP Pump uses shallow well venturi N32P-67B.

KEY	DESCRIPTION	PART NUMBER
1	O-Ring, Jet Body	U9-202
2	Clamp	J19-6
3	O-Ring, Venturi	U9-201
4	Venturi	N32P-63
4	Venturi	N32P-64
4	Venturi	N32P-72
5	Nozzle (#51)	J34P-41
5	Nozzle (#54)	J34P-44
6	Insert, Jet Body	N40-39P
7	Gasket	J20-18
8	Jet Body	N40-38P
9	O-Ring, Check Valve	U9-226
10	Check Valve - Complete	N166-5P
11	Pipe Plug - 1/8" NPT - Sq. Hd.	WC78-41T
12	Screw - #10 - 16 x 1-1/8" Lg. (4 Req.)	U30-742SS