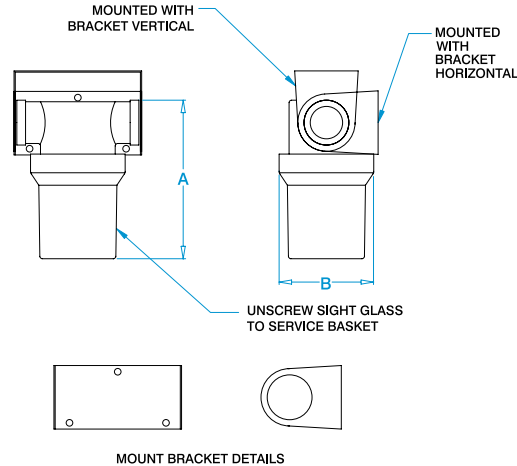


# WSB SERIES

## FEATURES

- Protect fresh water pumps from debris.
- White nylon strainer head and clear plastic sight glass. Glass unscrews for filter basket cleaning.
- Mount bracket included.
- Use WSB for fresh-water systems (#304 SS basket).
- Use WSB-P for salt-water or continuous duty AC or genset.



**WSB SERIES**  
#304 SS BASKET

**WSB-P SERIES**  
NON-METALLIC BASKET

40-MESH #304 SS	NON- METALLIC	NPT PIPE SIZE	A	B	WEIGHT	PKG
WSB-500	WSB-500-P	1/2"	5.00	2.90	.38	4
WSB-750	WSB-750-P	3/4"	5.00	2.90	.40	4
WSB-1000	WSB-1000-P	1"	6.25	4.00	.90	6
WSB-1250	WSB-1250-P	1-1/4"	7.00	4.00	1.10	6

