

# Standard Product Capabilities

Pump solutions from a World Leader



## Bellows Series

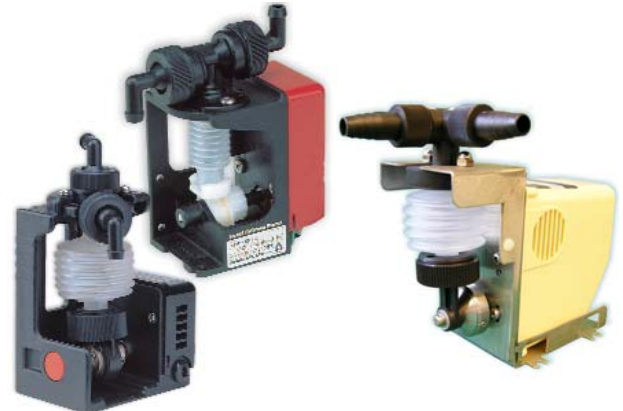
Versatile, economical bellows pumps

Proven performers, Iwaki America bellows pumps are extensively used in the photographic, plating and electronics industries. Additional features include:

- Off-the-shelf availability
- Simplex, Duplex and Multiplex configurations
- Thermoplastic motor housing
- Stainless steel frame
- Easy output adjustment

The reciprocating polypropylene bellows offers dependable positive displacement with 1% repeatability through a 10:1 adjustment ratio. Available with either EPDM or FKM elastomers, pump capacities range to 2100 ml/min. The self-priming and corrosion resistant features help provide reliable, continuous duty throughout a variety of chemical dosing applications.

*Think twice. Spec Once.*



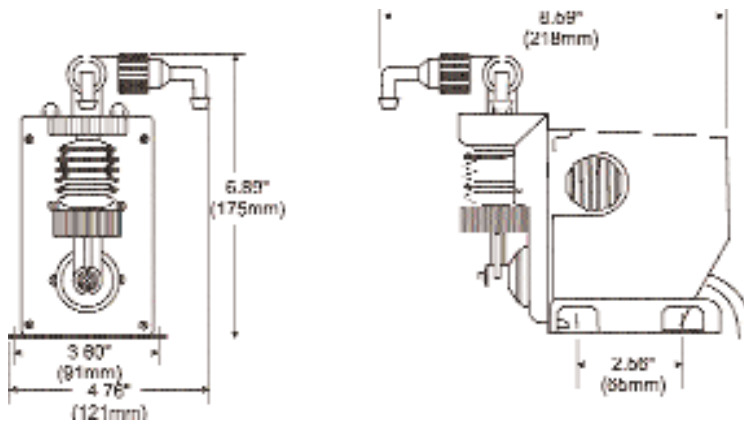
**KBA/KBR**

**SP/DP**

Addressing the specific requirements of equipment manufacturers, Iwaki America has developed a full line of economical, versatile, OEM and Multiplex pumps featuring rugged gear-motor drives and flexible designs. Iwaki America Bellows Metering Pumps offer:

- Blow-molded polypropylene bellows ensuring even wall thickness for long life.
- Standard bellows available in 1", 1½" and 2" sizes
- Simple liquid end construction, assuring trouble-free pumping
- DC motor options available
- Anti-syphon spring (Hastelloy C) available
- Sure-seating elastomeric poppet valves provide positive backflow protection
- Optional duckbill valves for slurries
- Multiplex units utilizing quiet, durable nylon gear-drive.
- Easy front access to each head for output adjustment and service in multiplex units.

### SP60-20 Dimensions



**PROVEN  
RELIABILITY.  
ADVANCED  
TECHNOLOGY.**




**Specifications**

Standard Model (115VAC)	No. of Bellows	Maximum Capacity ml/min (gph)	Maximum Pressure PSI	Strokes/Minute SPM	Self-Prime Lift (dry) Feet (m)	Tubing I.D. Inches (mm)	Maximum Current Amps
SP20-10	1	110 (1.7)	10	33	5 (1.5)	3/8 (9)	1.1
SP60-10	1	205 (3.2)	10	67	5 (1.5)	3/8 (9)	1.1
SP20-20	1	255 (4.0)	5	33	4 (1.2)	3/8 (9)	1.1
SP80-10	1	380 (6.0)	10	135	5 (1.5)	3/8 (9)	1.1
SP60-20	1	495 (7.8)	5	67	4 (1.2)	3/8 (9)	1.1
SP60-30	1	990 (15.7)	5	67	5¼ (1.6)	1/2 (12)	1.1
SP80-30	1	2100 (33.3)	5	135	5¼ (1.6)	1/2 (12)	1.1
DP20-10	2	110 (1.7) x 2	10	33	5 (1.5)	3/8 (9)	1.1
DP60-10	2	205 (3.2) x 2	10	67	5 (1.5)	3/8 (9)	1.1
DP60-20	2	495 (7.8) x 2	5	67	4 (1.2)	3/8 (9)	1.1
DP60-30	2	990 (15.7) X 2	5	67	5¼ (1.6)	1/2 (12)	1.1
DP80-30	2	2100 (33.3) x 2	5	135	5¼ (1.6)	1/2 (12)	1.1

Type	Model	Maximum Capacity ml/min		Maximum Pressure MPa (PSI)	Strokes/Minute SPM		Connection I.D. mm (inches)	Motor Input W
		50 Hz	60 Hz		50 Hz	60 Hz		50/60 Hz
SIMPLEX	KBA-1Z	29	35	0.04 (5.8)	10	12	9 (0.35)	3.5
	KBA-2Z	62	75	0.04 (5.8)	10	12	9 (0.35)	3.5
	KBA-3Z	119	141	0.03 (4.35)	10	12	9 (0.35)	3.5
	KBA-3Y	146	175	0.02 (2.9)	12.5	15	9 (0.35)	3.5
	KBA-3X	232	278	0.01 (1.45)	20	24	9 (0.35)	3.5
	KBA-3V	300	360	0.01 (1.45)	30	36	9 (0.35)	4.5
DUPLEX	2KBA-1Z	29x2	35x2	0.03 (4.35)	10	12	9 (0.35)	3.5
	2KBA-2Z	62x2	75x2	0.03 (4.35)	10	12	9 (0.35)	3.5
	2KBA-3Z	119x2	141x2	0.02 (2.9)	10	12	9 (0.35)	3.5
	2KBA-3Y	146x2	175x2	0.01 (1.45)	12.5	15	9 (0.35)	3.5
	2KBA-3X	232x2	278x2	0.01 (1.45)	20	24	9 (0.35)	4.5
	2KBA-3V	300x2	360x2	0.01 (1.45)	30	36	9 (0.35)	4.5
TRIPLEX	3KBA-1Z	30x3	36x3	0.02 (2.9)	10	12	9 (0.35)	3.5
	3KBA-2Z	64x3	77x3	0.02 (2.9)	10	12	9 (0.35)	3.5
	3KBA-3Z	119x3	143x3	0.02 (2.9)	10	12	9 (0.35)	3.5
	3KBA-3Y	146x3	175x3	0.01 (1.45)	12.5	15	9 (0.35)	3.5
	3KBA-3W	216x3	259x3	0.01 (1.45)	18	21.6	9 (0.35)	4.5

Type	Model	Maximum Capacity ml/min		Maximum Pressure MPa (PSI)	Strokes/Minute SPM		Connection I.D. mm (inches)	Motor Input W
		50 Hz	60 Hz		50 Hz	60 Hz		50/60 Hz
SIMPLEX	KBR-0Z	4.1	4.9	0.01 (1.45)	10	12	4 (0.16)	3.5
	KBR-0X	8.2	9.8	0.01 (1.45)	20	24	4 (0.16)	4.5
	KBR-1Z	17	20	0.01 (1.45)	10	12	9 (0.35)	3.5
	KBR-1Y	34	40	0.01 (1.45)	20	24	9 (0.35)	4.5
	KBR-2z	25	30	0.01 (1.45)	10	12	9 (0.35)	3.5
	KBR-2X	50	60	0.01 (1.45)	20	24	9 (0.35)	4.5
	KBR-3Z	90	108	0.01 (1.45)	10	12	9 (0.35)	3.5
	KBR-3X	180	216	0.01 (1.45)	20	24	9 (0.35)	4.5

