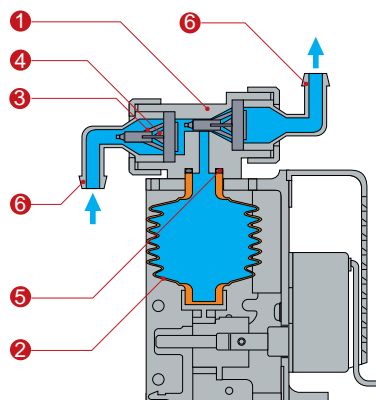


SP/KBR Bellows Pump



Proven performers, Iwaki bellows pumps are extensively used in the photographic, plating, medical and electronics industries.

- Simplex, and Duplex configurations
- Thermoplastic motor housing
- Stainless steel or Non-metallic frame
- Easy output adjustment
- DC motor options available



Parts	Material	
1 Pump head	GFRPP	
2 Bellows	PP	
3 Poppet Valve A	PP	
4 Poppet Valve B	EPDM	FKM
5 O-Ring	EPDM	FKM
6 Inlet and Outlet	GFRPP	

Above illustration shows KBR type.



Specifications

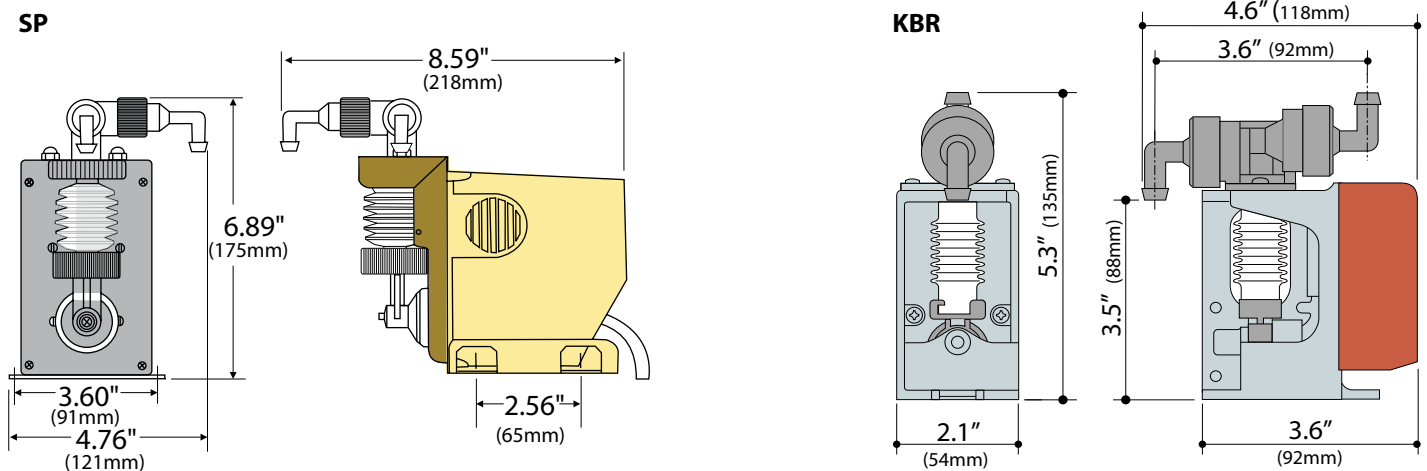
SP/DP Type	Model	# of Bellows	Max Capacity		Max Pressure	Strokes per Minute	Self-Prime Lift (dry)		Tubing I.D.		Max Current
			ml/min	GPH	PSI	SPM	m	Feet	mm	(inches)	Amps
SIMPLEX	SP80-10	1	380	6.0	10	135	1.5	5	9	3/8	1.1
	SP80-30		2100	33.3	5	135	1.6	5¼	12	½	1.1
DUPLEX	DP80-30	2	2100 (x 2)	33.3 (x 2)	5	135	1.6	5¼	12	½	1.1

KBR Type										
SIMPLEX	Model	Max Capacity ml/min		Max Pressure		Strokes per minute		Connection I.D.		Motor Input W
		50 Hz	60 Hz	MPa	PSI	50 Hz	60 Hz	mm	inches	50/60 Hz
		KBR-0Z	4.1	4.9	0.01	1.45	10	12	4	0.16
KBR-0X	8.2	9.8	0.01	1.45	20	24	4	0.16	4.5	
KBR-1Z	17	20	0.01	1.45	10	12	9	0.35	3.5	
KBR-1Y	34	40	0.01	1.45	20	24	9	0.35	4.5	
KBR-2Z	25	30	0.01	1.45	10	12	9	0.35	3.5	
KBR-2X	50	60	0.01	1.45	20	24	9	0.35	4.5	
KBR-3Z	90	108	0.01	1.45	10	12	9	0.35	3.5	
KBR-3X	180	216	0.01	1.45	20	24	9	0.35	4.5	

Notes

- Max. flow rate shown above is value under following conditions.
- Discharge side is fully open.
- Max. discharge pressure shown on above table is value when suction lift is 0 m.
- Ambient temperature : 0-40°C (5-40°C for KBR)
- Clear water 20°C.
- Flow rate is varied by liquid temp.
- Liquid temperature : SP:0-60°C, KBR:0-40°C

Dimensions



IALT-00052.E March 2012

www.lwakiAmerica.com • www.lwakiCustomPumps.com

