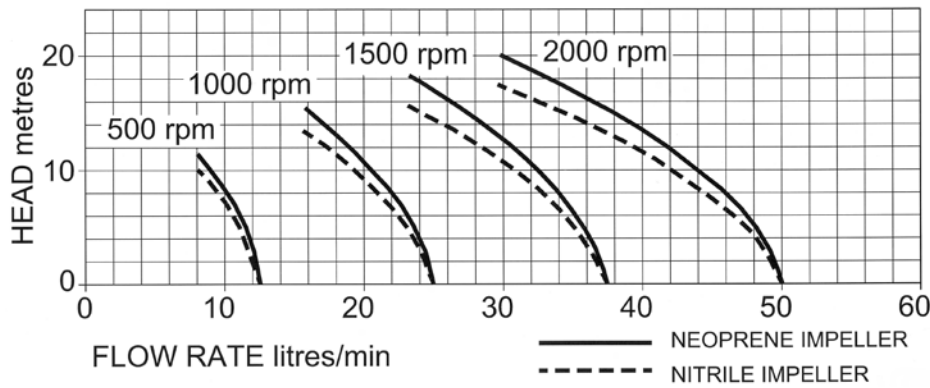


PERFORMANCE:

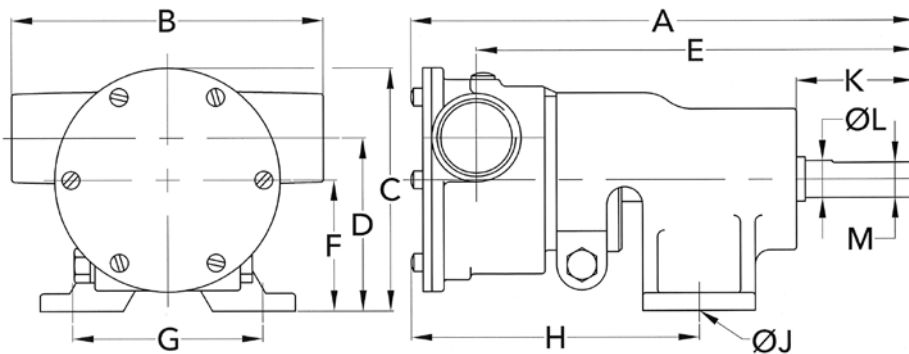


MODEL	Maximum flow rate		Maximum head	
	l/min	gall/min	metres	feet
10550-200	50	11	20	65
10550-212	50	11	17	55

Max power absorbed 550 watt at 2000rpm

DIMENSIONS:

WEIGHT: 3Kg



A	B	C	D	E	F	G	H	J	K	L	M
170	105	83	59	148	45	64	97	8.7	40	12.6	11.9

MATERIALS OF CONSTRUCTION:

Body	Bronze
Impeller	Neoprene or Nitrile
Wearplate	Replaceable
Shaft	Stainless steel type 316
Shaft seal	Lip type
Bearings	Twin single row, ball type
Port type	3/4" BSP to BS21 (DIN2999)

MODELS:

10550-200 Standard Neoprene impeller

10550-212 Oil resistant Nitrile impeller

10550-237 High pressure Neoprene



a xylem brand

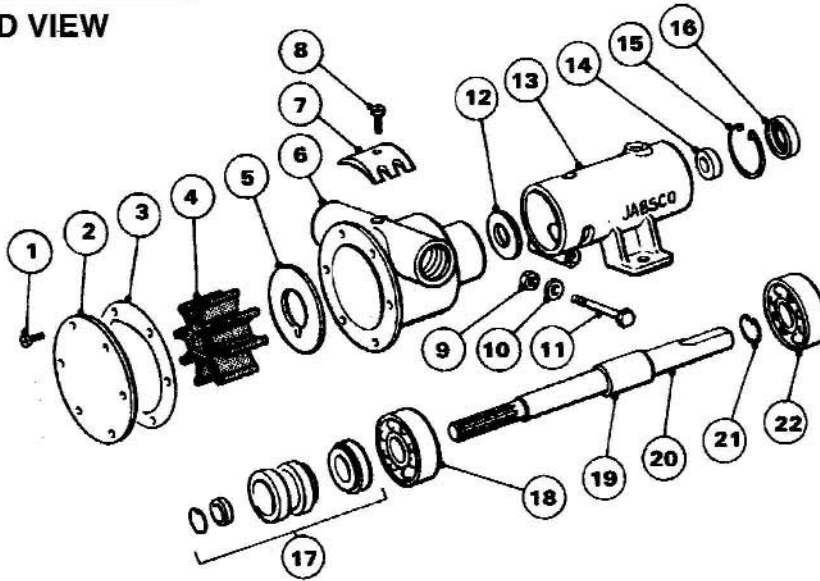
**BRONZE FLEXIBLE
IMPELLER
PEDESTAL PUMP
10550 SERIES**



**PUMP with
3/4" BSP PORTS**

- * Constructed from marine quality bronze and stainless steel
- * Self-prime from dry up to 2.4m
- * Easy to service and maintain
- * Will tolerate abrasive wear
- * Handles hard and soft solids without clogging
- * Can pump in either direction
- * Will not airlock

EXPLODED VIEW



PARTS LIST			Model 10550	Model 9710
Key	Description	Qty	Part No	Part No
1	Endcover Screw*	6	SP1002-02	SP1003-09
2	Endcover	1	3992	3993
3	Gasket*	1	3298	890
4	Impeller*	1	1210-0001B	17937-0001B
5	Wearplate	1	7883	4156
6	Body	1	10554-200	10329-200
7	Cam	1	490	934
8	Cam Screw	1	SP1003-01	SP1004-09
9	Nut	1	SP1105-03	SP1105-03
10	Washer	1	SP1602-06	SP1602-06
11	Bolt	1	SP1095-09	SP1095-09
12	Slinger	1	3286	3180
13	Bearing Housing	1	10557	10330
14	Inner Bearing Seal	1	SP2701-21	SP2701-21
15	Retaining Ring	1	SP1700-248	SP1701-185
16	Outer Bearing Seal	1	SP2701-15	SP2700-47
17	Seal Assembly*	1	22617-0010	22617-0010
18	Ball Bearing	1	SP2601-39	SP2600-38
19	Bearing Spacer	1	9998	-
20	Shaft	1	10417	9717
21	Retaining Ring	1	SP1700-249	-
22	Ball Bearing	1	SP2601-39	SP2600-38
23	Spline Seal	1	4345	4345

MODEL 10550-200

Service Kit No SK239
Contains Parts marked*

Options

High Pressure
Neoprene Impeller Part No 3085-0001B
Nitrile Impeller Part No 1210-0003B
1/2 Cam Part No 10336
1/2 Cam Screw Part No SP1003-09

MODEL 9710-200

Service Kit No SK 229
Contains Parts marked*

Options:-

High Pressure
Neoprene Impeller Part No 5915-0001B
Nitrile Impeller Part No 17937-0003B
1/2 Cam Part No 2431
1/2 Cam Screw Part No SP1004-10
2/3 Cam Part No 3255
2/3 Cam Screw Part No SP1004-10

SERVICE INSTRUCTIONS

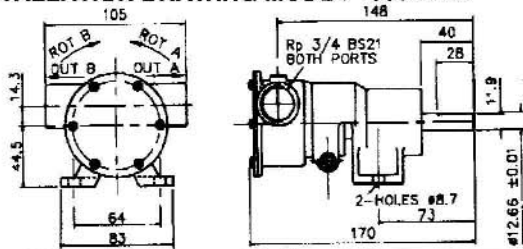
Dis-Assembly Inspect all parts for wear or damage and replace if necessary

1. Remove endcover screws, endcover and gasket.
2. Remove impeller.
3. Loosen cam screw, remove cam, (clean off any old jointing compound).
4. Remove wearplate.
5. Remove seal retaining ring from shaft.
6. Remove pump body from bearing housing by removing holding bolt.
7. Remove spacer and seal assembly.
8. Slide slinger off shaft.
9. Insert screwdriver between OD of outer bearing seal and bearing housing bore and pry out seal.
10. Remove bearing to housing retaining ring.
11. Press shaft on impeller drive end to remove shaft and bearing assembly from pump. Heating outside of body will ease dis-assembly. Remove inner bearing seal. Remove shaft retaining ring model 10550.
12. Support bearing inner race and press shaft through bearing. Repeat procedure for other bearing.

Assembly

1. Lubricate inner bearing seal with grease and press into body bearing seal bore with lip facing away from bearing bore.
2. Support inner race of bearing and press shaft through bearing until located against shoulder on shaft. Repeat operation for other bearing.
3. Locate slinger in drain area.
4. Press shaft and bearing assembly into bearing housing, guide slinger onto shaft until located in housing.
5. Fit bearing to body retaining ring.
6. Lubricate outer bearing seal with grease and press into bearing bore until it is flush with the body, (spring facing outwards).
7. Fit pump body, secure with bolt, washer and nut.
8. Fit seal seat and cup rubber, with seal seat facing towards impeller bore.
9. Fit seal with carbon face towards face of seal seat and replace spacer.
10. Fit shaft retaining ring onto shaft, (10550).
11. Install wearplate in body bore aligning slot in wearplate with dowel pin in body.
12. Coat cam screw threads, and top of cam with a non setting jointing compound. Install in body.
13. Lubricate impeller bore with a light coat of good quality water pump grease and start impeller into bore with a rotary motion until splines engage, then push into bore.
14. Replace gasket, endcover and secure with endcover screws.

INSTALLATION DRAWING MODEL 10550-200



INSTALLATION DRAWING MODEL 9710-200

