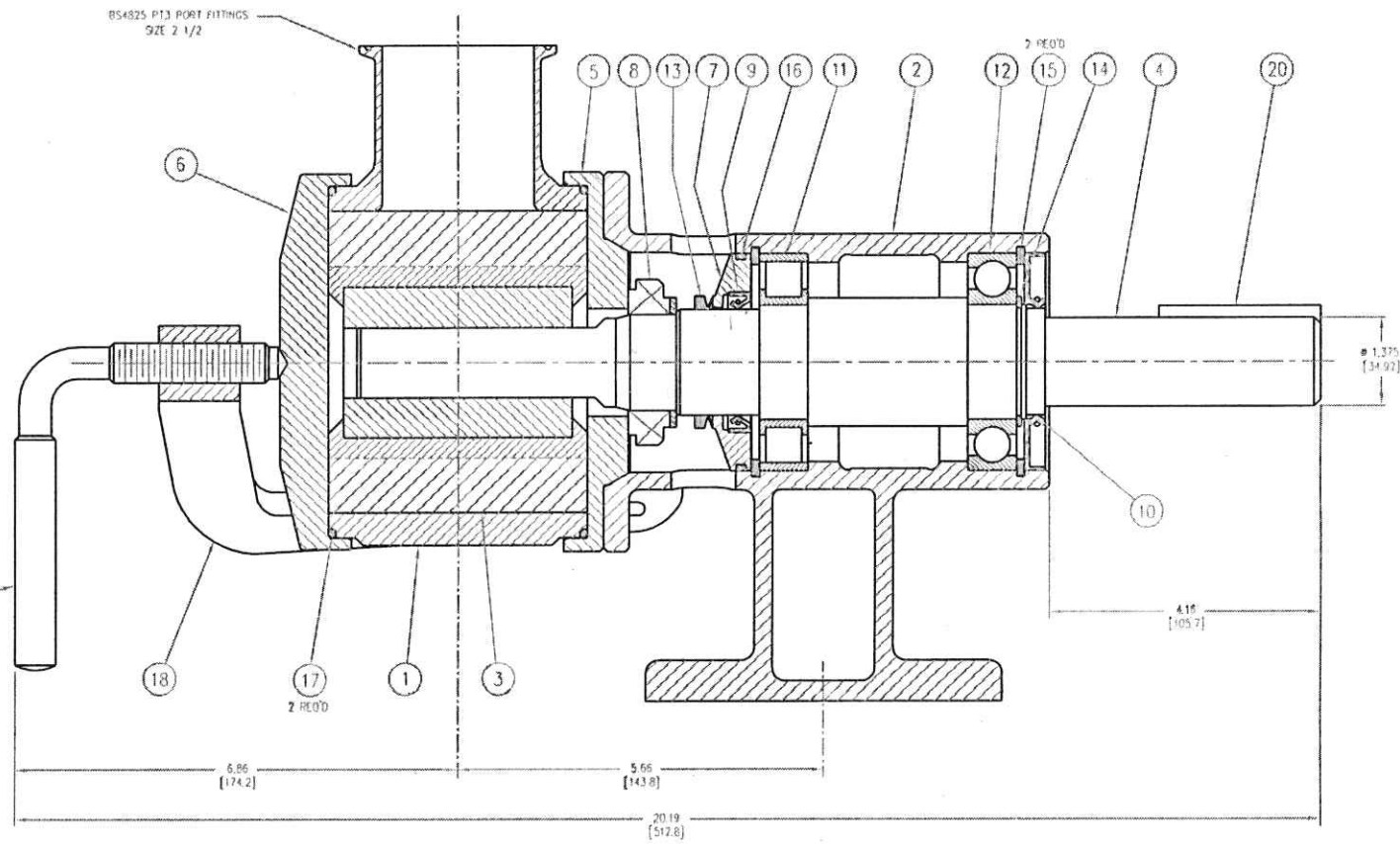
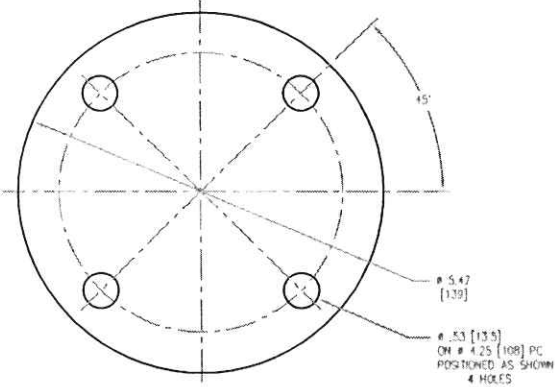
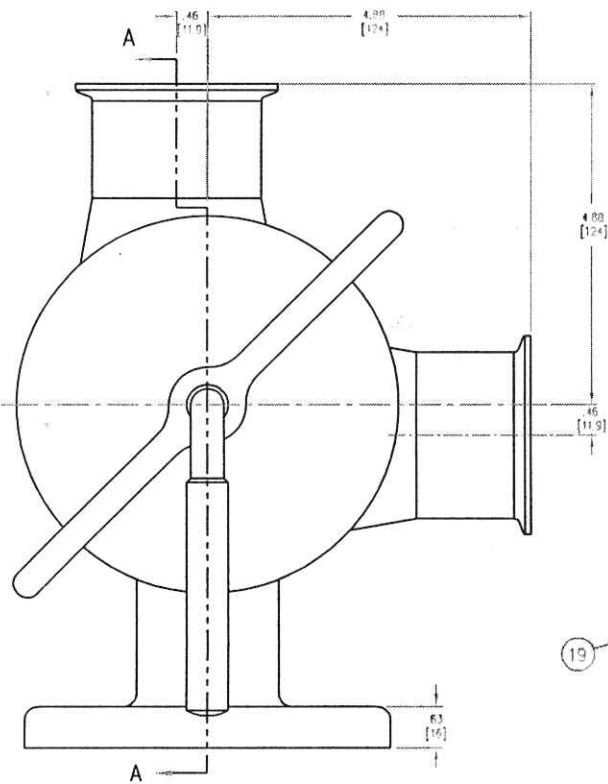


ITEM	PART NO.	DESCRIPTION	QTY
1	22004-1001	BODY	1
2	00715-0000	BEARING HOUSING	1
3	21609-0000	IMPELLER	1
4	15591-0000	SHAFT	1
5	15542-6000	WEARPLATE	1
6	23103	END COVER	1
7	23933-0000	SEAL HOUSING	1

ITEM	PART NO.	DESCRIPTION	QTY
8	22544-6000	SEAL	1
9	X5280-011	LIP SEAL	1
10	SP2701-08	LIP SEAL	1
11	SP2601-45	BEARING-FRONT	1
12	SP2601-46	BEARING-REAR	1
13	X5280-015	V-RING	1
14	SP1700-2870	RETAINING RING	1

ITEM	PART NO.	DESCRIPTION	QTY
15	SP1701-4391	RETAINING RING	2
16	X4020-325A	O-RING	1
17	SP2000-1213	O-RING	2
18	21909-0000	CLAMP FRAME	1
19	21908	CLAMP SCREW	1
20		KEY	1

REV	BY	CHK	DATE
1			



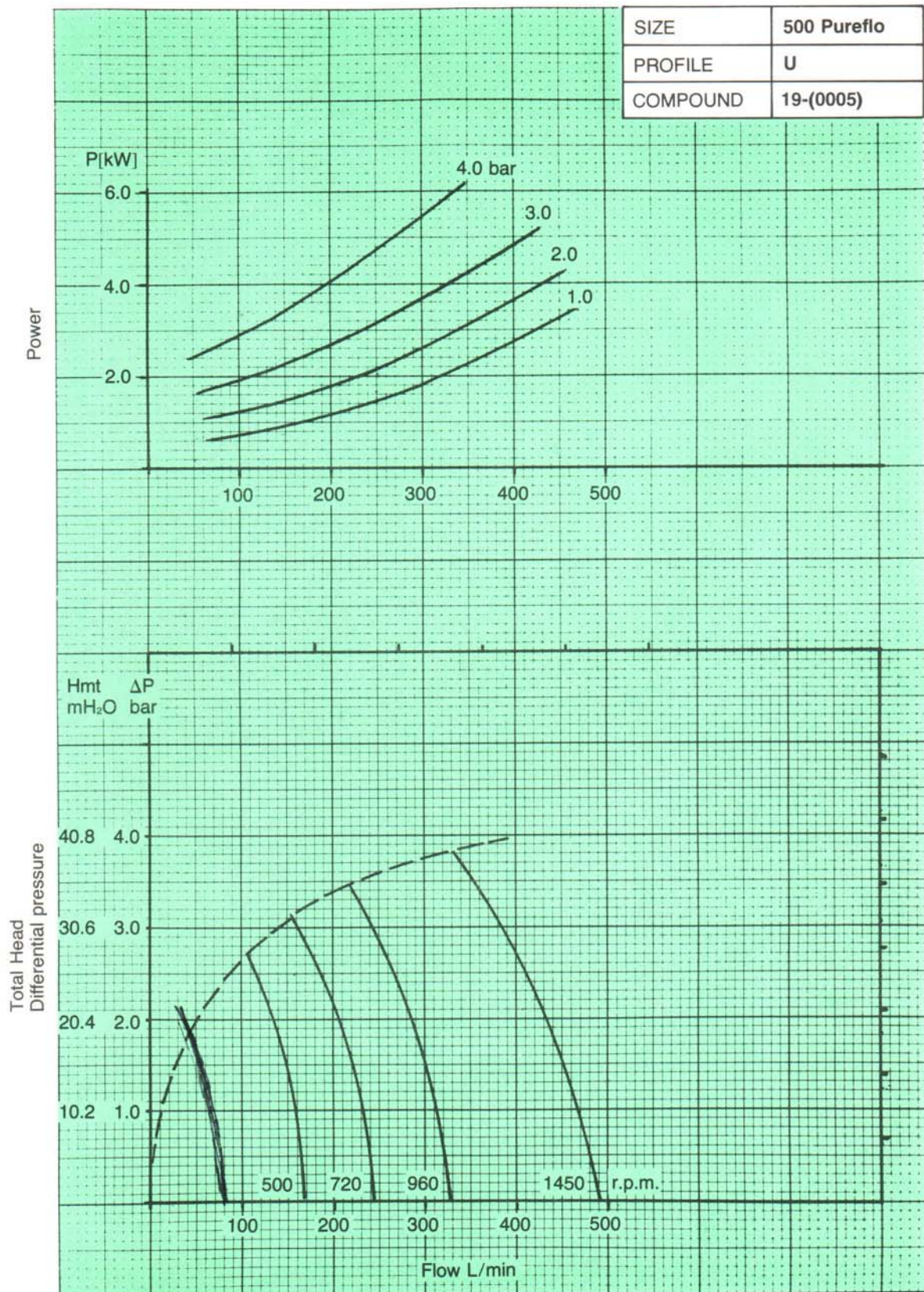
SECTION A-A

DIMENSIONS IN [] ARE MILLIMETERS

UNLESS OTHERWISE SPECIFIED ALL DIMENSIONS ARE IN INCHES TOLERANCES: .125-.250 .001-.005 .001-.005 .001-.005	DATE	APPROVALS	DATE
	DESIGN	BY	DATE
THIS DOCUMENT CONTAINS PROPRIETARY INFORMATION OF ITT INCORPORATED. THIS DOCUMENT IS ISSUED BY ITT'S CONFIDENCE AND SHALL NOT BE DISCLOSED TO A THIRD PARTY OR USED FOR MANUFACTURE, REPRODUCTION OR DISSEMINATION WITHOUT THE EXPRESS WRITTEN PERMISSION OF ITT.	PROJECT NO.	ITP NO.	15590-9775
	DO NOT SCALE DRAWING	SCALE: 1:1	SHEET 1 OF 1

HYGIENIC PUMP

Pureflo Performance Curves



May be used for viscosities up to 500 cp dependant on NIPR/NIPA
 For higher viscosities use chart for $\nu = 2000$ cp
 Apply power-viscosity correction chart – see Section 9 page 6.