



Model 16440-0000

## DRUM PUMPS

### FEATURES

#### Motor

**Characteristics:** Rotary air motor, 0.36 HP (0.27 kW) at 8000 rpm and 80 psi (5.5 bar) pressure with an air consumption of 15 cfm (0.4 m<sup>3</sup>/m) Maximum recommended supply air pressure is 90 psi (6.2 bar).

**Enclosure:** Cast iron body, cast aluminum end plates and adapter.

**Inlet Valve:** Bronze 1/4 turn ball valve, 1/8" dia. NPT

**Exhaust Muffler:** Spun wire chamber with screen.


**Weight:** 1.2 lbs (0.5 kgs)




Model 16440-0000

### APPLICATION

Specifically designed to fit the JABSCO 16400-series, 16410-series, 16510-series and 16520-series drum pumps. All pumps and motors are interchangeable.

	<b>WARNING</b> Jabsco 16440-Series motors are not explosion proof. Do not use with flammable liquids or in an explosive environment. Serious injury or death may occur.
---	---

	<b>WARNING</b> Sparks caused by static electric discharge may result in fire or explosion. Drum pump motor, pump tube and liquid container must be properly connected to earth ground.
---	--

### OPERATING INSTRUCTIONS

- Safety Practices** – When operating the JABSCO drum pump protective clothing, gloves and safety glasses should be worn. All standard safety practices should be followed.
- Installation** – Place threaded motor flange on drum pump mounting ring. Tighten mounting ring. Drive coupling is self-aligning. Motor and pump combination are ready for operation.

- Connection** – Thread male 1/8" dia. NPT air hose connector into air motor inlet valve. Make certain inlet is in the closed position; when the valve handle is positioned perpendicular to the centerline of the inlet valve. Attach air supply hose to air motor.

NOTICE: An air line oiler and a water separator located just prior to the motor inlet are strongly recommended to extend the motor life. Use only clean, dry air.

- Static Charge** – Certain fluids when pumped create a static electrical charge. Should this static charge discharge across a gap between the drum pump tube and the fluid container or another object in an area where flammable vapors are present, an explosion and death can occur.

Grounding wires must be attached as shown in Figure 1 on the next page. Use JABSCO part no. 16471-0000.

- Temperature Range** – Motors are designed to operate in an ambient 40°-120°F (4°-53°C) temperature environment. Pumpage temperatures are maximum at 200°F (93°C). For higher temperatures consult factory.
- Spare Parts** – Use JABSCO service parts for replacement and repair.

**WARNING**

Explosion hazard. Hazardous air pressure. Prior to any disassembly or assembly of the Jabsco Drum Pump Air Motor, make certain all air connections have been disconnected and prevented from accidentally being connected. Failure to do so can cause death or injury.

**SERVICE INSTRUCTIONS**

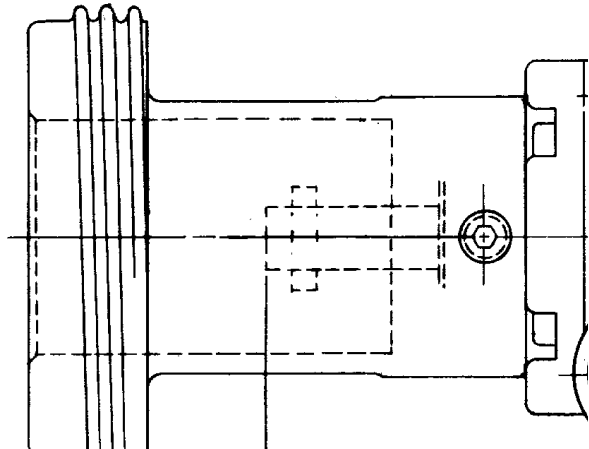
NOTICE: All air system repair and plumbing should be completed by a competent mechanic and in accordance with applicable codes.

**DISASSEMBLY**

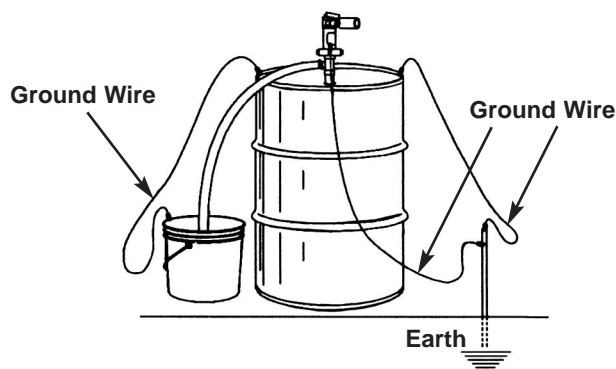
1. Remove the two hex socket set screws holding the adapter to the motor sub-assembly.
2. Remove the air inlet valve.
3. Further disassembly is not recommended. Send the unit to a factory authorized service center or the factory for further service.

**ASSEMBLY**

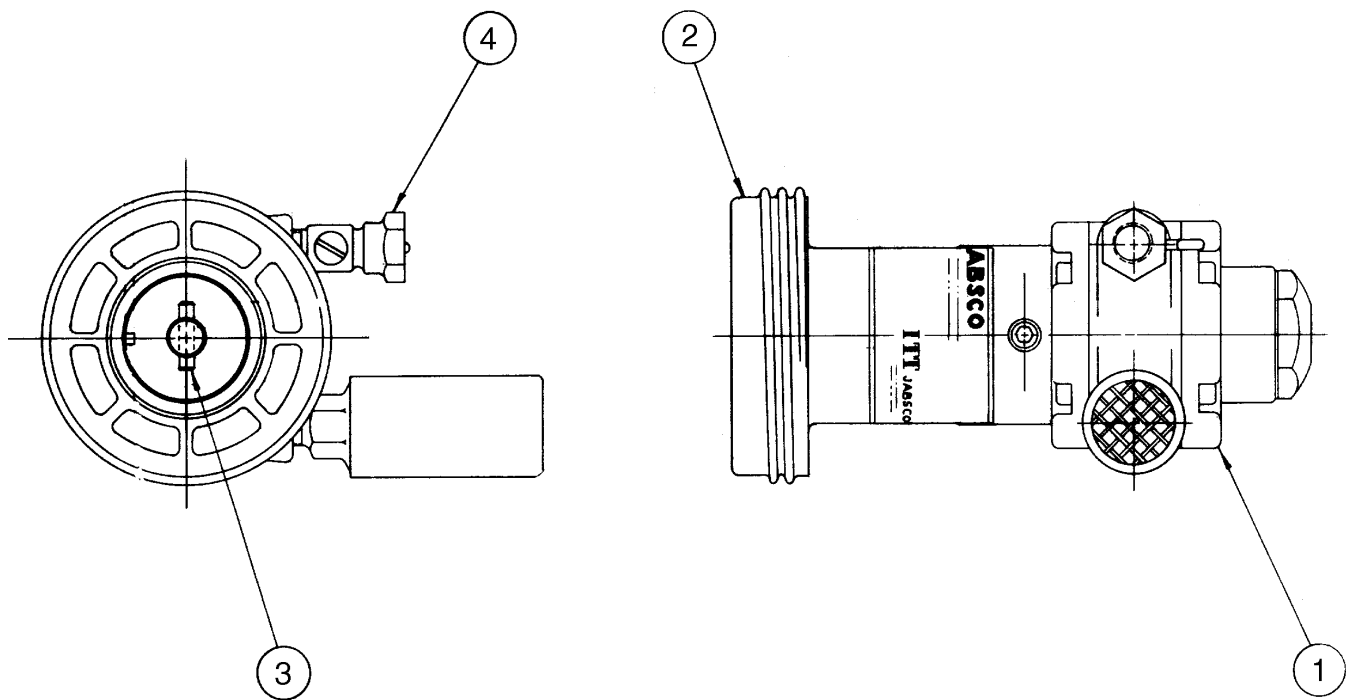
1. Install the air inlet valve.
2. Install adapter to air motor and secure it with the two set screws.

**FIGURE 1**

Drum Pump  
with Air Motor



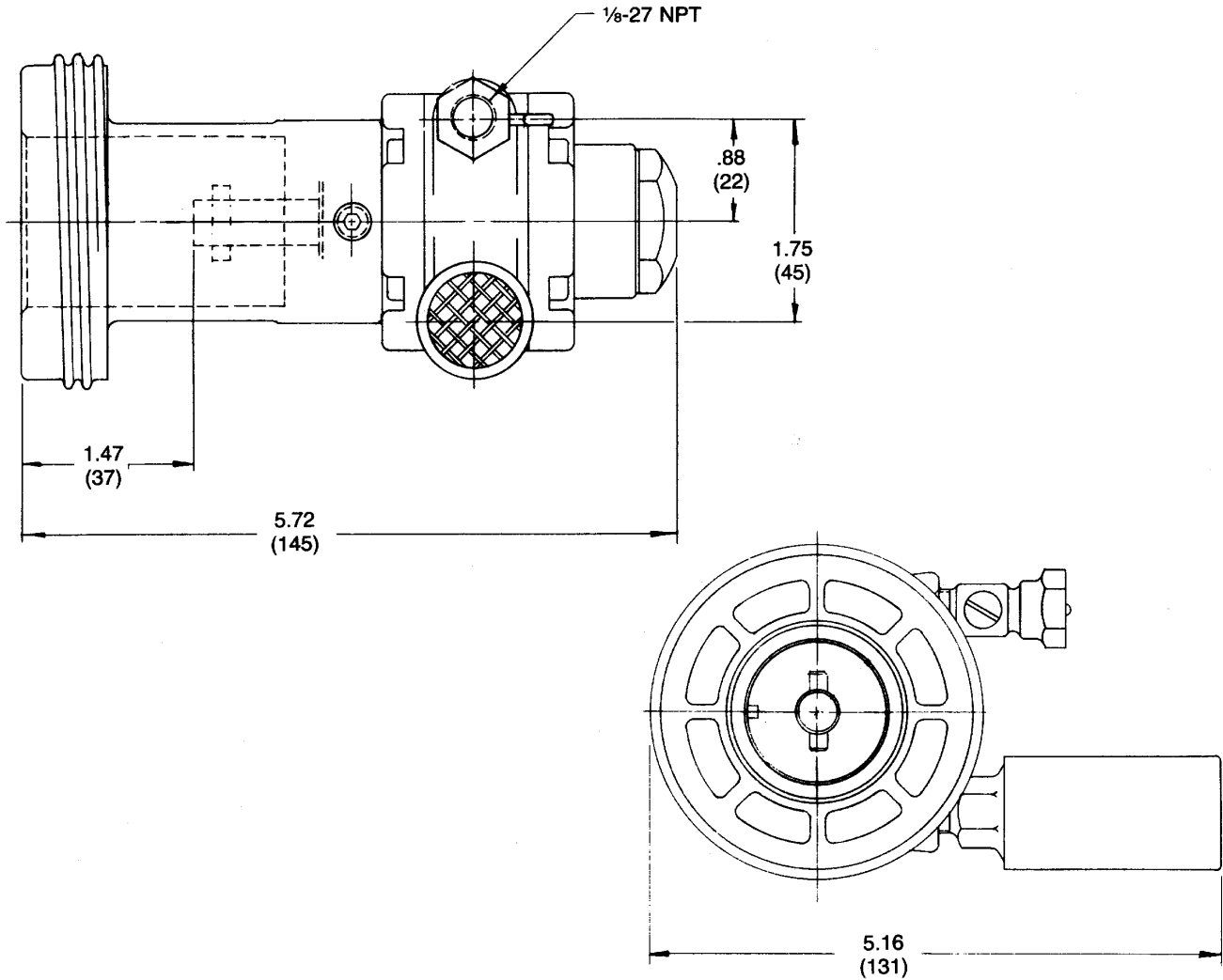
CROSS SECTION VIEW



PARTS LIST

Key	Description	Qty.	Part Number
1	Motor Sub-Assembly	1	44094-0000
2	Adapter	1	16443-0000
3	Drive Pin	1	93100-0228
4	Inlet Valve	1	98024-0079

DIMENSIONAL DRAWING  
Inches (Millimetres)



PERFORMANCE TABLES

Refer to 16400-Series (form 43000-0572) or 16410-Series (form 43000-0573) JABSCO drum pump data sheet for motor-pump performance charts.

Jabsco



THE PRODUCTS DESCRIBED HEREIN ARE SUBJECT TO THE JABSCO ONE YEAR LIMITED WARRANTY, WHICH IS AVAILABLE FOR YOUR INSPECTION UPON REQUEST.

U.S.A.  
Jabsco  
20 Icon  
Foothill Ranch, CA 92610-3000  
Tel: 949.609.5106  
Fax: 949.859.1254

UNITED KINGDOM  
Jabsco  
Bingley Road, Hoddesdon  
Hertfordshire EN11 OBU  
Tel: +44 (0) 1992 450145  
Fax: +44 (0) 1992 467132

CANADA  
Fluid Products Canada  
55 Royal Road  
Guelph, Ontario N1H 1T1  
Tel: (519) 821.1900  
Fax: (519) 821.2569

JAPAN  
NHK Jabsco Company Ltd.  
3-21-10, Shin-Yokohama  
Kohoku-Ku, Yokohama, 222  
Tel: 045.475.8906  
Fax: 045.475.8908

GERMANY  
Jabsco GmbH  
Oststrasse 28  
22840 Norderstedt  
Tel: +49-40-53 53 73 -0  
Fax: +49-40-53 53 73 -11