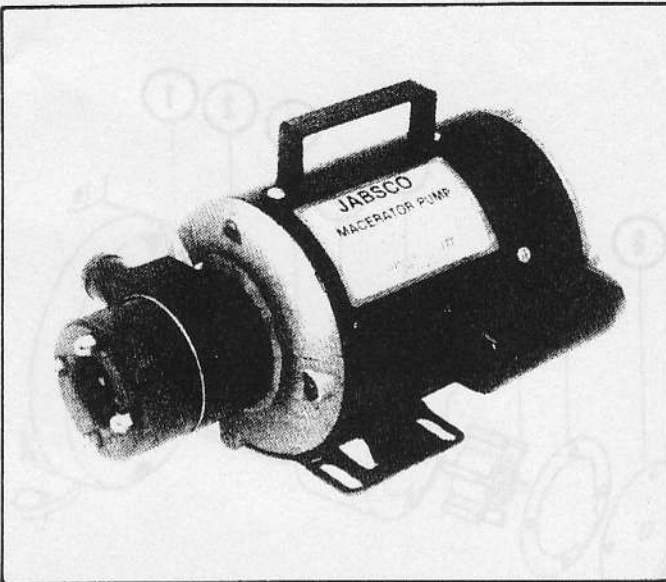


**PAR**

# Model 18690-0010



## DESIGN FEATURES

- Pump: **Self-Priming Flexible Impeller with Stainless Steel Wearplates**
- Impeller: **Jabscos Nitrile Compound**
- Macerator: **Cast Bronze Cutter Plate reduces particle size to 1/8" maximum**
- Seal: **Lip Type**
- Ports: **Inlet — 3" Slip-on Hose  
Outlet — 1" ID Hose Barb**
- Motor: **115 Vac, Single Phase, 60 Hz, Thermal Overload Protection**
- Weight: **17 lb (7,7 kg)**

**Model 18690-0010**

### ⚠ MOTOR WARNING

MOTOR CAN SPARK.  
EXPLOSION & DEATH  
CAN OCCUR.

DO NOT USE WHERE  
FLAMMABLE VAPORS  
ARE PRESENT.

## APPLICATION INFORMATION

The Par 18690-0010 ac macerator pump unit is the ideal answer to waste handling problems for recreational vehicle and domestic uses. The macerator section grinds waste down to a particle size of 1/8" maximum so it can be pumped easily through a 1" hose discharge line. The pump section is self-priming, permitting the unit to be mounted above or below the tank in a convenient location.

Empties most recirculating toilets in just one minute, empties a 30 gallon holding tank in only 3 minutes.

The 18690-0010 waste pump will macerate and pump all waste and tissue normally found in recreational vehicle waste systems. **IT WILL NOT HANDLE HARD SOLID OBJECTS, SANITARY NAPKINS OR RAGS.**

### HEAD CAPACITY TABLE

FEET OF HEAD	GPM
5	14.0
10	13.0
20	10.8
30	8.6

Flow rates are for water, capacity may be slightly reduced when handling heavy solids. Full load Amps—7.2.

## INSTALLATION INSTRUCTIONS

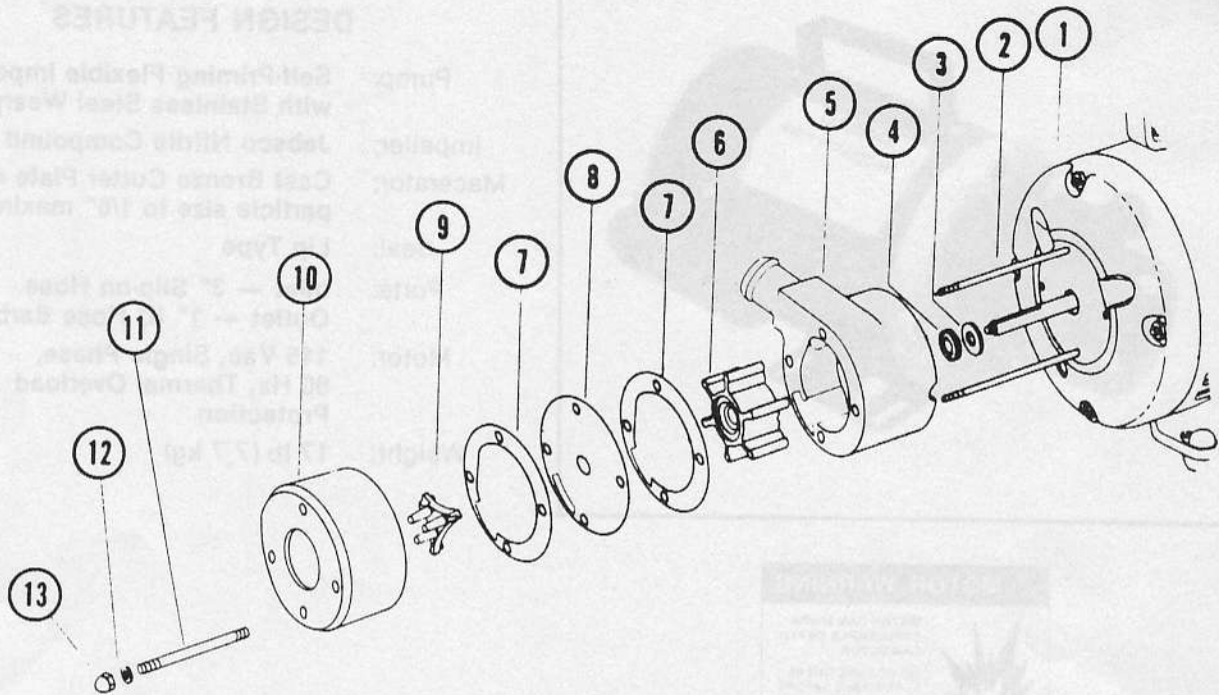
**Locating the Pump:** The PAR ac macerator pump unit is self priming to a six foot length and may be located at any convenient point in the waste discharge system. (For optimal efficiency, locate pump as close to waste as possible).

**Plumbing Connections:** Use a 3 inch ID non-collapsible hose and clamp on outside diameter of macerator housing. All suction connections must be airtight and free of sharp bends or restrictions. Use minimum 1" ID contractors hose for discharge.

Be sure adequate voltage and current capacity is available in electrical installation.

**ITT JABSCO**

## EXPLODED VIEW



## PARTS LIST

Key	Description	Part Number	Qty. Req.
1	Motor	93004-1840	1
2	Stud	17288-0000*	2
3	Slinger	6342-0000	1
4	Seal	1040-0000	1
5	Body	18593-1000*	1
6	Impeller	6303-0003*	1
7	Gasket	18596-1000*	2
8	Wearplate	18597-1000*	1
9	Cutter Plate	18595-1000*	1
10	Macerator Housing	18594-1001*	1
11	Stud	17288-0010	2
12	Fiber Washer	91613-0140	4
13	Acorn Nut	91085-0340	4
	Service/Conversion Kit	18598-0010	

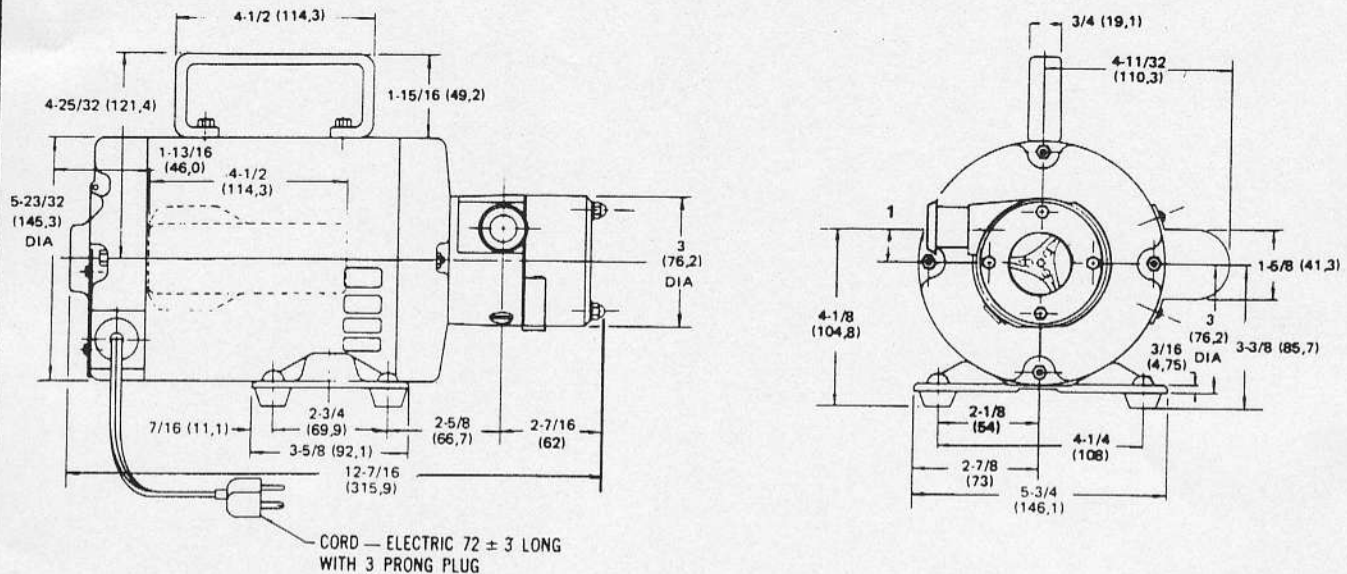
## OPERATING INSTRUCTIONS

The PAR macerator pump unit has been designed to handle waste, toilet tissue, and facial tissue. It will also handle solids such as filter tip cigarettes, cigars and chunks of soft fruits or vegetables less than 1" in size. It will NOT pump solid objects like peach pits, rags, or sanitary napkins. The holding tank and pump should be flushed with several gallons of water after each pumpout. Do NOT run dry pump dry for longer than 30 seconds.

\* These parts are supplied in 18598-0010 Service Kit.



**DIMENSIONAL DRAWINGS**  
INCHES (millimetres)



**SERVICE INSTRUCTIONS**

1. Remove acorn nuts and inlet housing.
2. Unscrew cutter plate from shaft by turning counterclockwise facing cutter blades. (Hold motor shaft behind plate to prevent turning.)
3. Remove gaskets, wearplate and slide pump assembly off mounting studs.
4. Replace seal, impeller gaskets or other parts as necessary. To remove seal, push out evenly with screwdriver from impeller bore side of body. To reassemble seal, coat outside of metal case with a light coat of sealant and press into body with lip facing impeller. Press star retaining washer (with concave side up) into seal bore and against seal case. A light coating of grease should then be applied to impeller bore and wearplate to aid initial dry startup.
5. Reassemble body, impeller, gaskets, wearplate, cutter plate, suction housing and acorn nuts.

**17460-Series**

When servicing the 17460-0013 macerator, the 18598-0010 service/conversion kit must be used. This kit supplies all the components to completely convert the 17460-0013 to the 18690 model. (Most 18690-series do not fit the 17460 models.) Follow disassembly and assembly instructions.