



# 040 Size Bronze Flexible Impeller Pump Head Kit

2/99

## 22860 Series

### Bronze Flexible Impeller Pump

#### Features

- Flows up to 35 litres/minute @ 1500 RPM
- Self primes from dry up to 3.0 metres
- Handles hard or soft solids
- Non pulsating flow
- Gentle pump action does not damage shear-sensitive products
- Easy to service and maintain



#### Typical Applications

**Industrial** : From water to the most difficult, e.g. transferring foaming solutions with entrained air or solids, such as soap, circulating abrasive and non abrasive slurries. Transferring inks, dyes, starches etc.

**Chemical** : Circulating and transferring various chemicals such as ammonia, barium, copper sulphate, glycerine, nickel chloride, silver nitrate; various acids such as boric, carbonic, citric and photo processing solutions.

#### Specifications

**Seal** : Carbon/Ceramic mechanical seal

**Pump Head** : Bronze

**End Cover** : Brass

**Bearings** : Uses motor bearings

**Shaft** : Stainless steel shaft extension

**Motor adaptor** : Epoxy-coated aluminium, suitable for B3/B14 D80 frame motor to IEC 71 standard

**Ports** : 3/4" BSP internal thread

**Weight** : 1.9kg.

#### Model Options

Impeller option	Pressure	Neoprene	Nitrile
Temperature range		4°C to 80°C	-5°C to 90°C
Pump head only	Standard	22860-2001	22860-2003
	High	22860-2121	22860-2123


Note : it is not recommended to start the pump at extreme ends of the temperature range, impeller damage may occur

All models use Nitrile seal elastomers


Other options available, Pedestal & Motor pump units, in Bronze, Plastic & Stainless steel

For Installation, Operating, Maintenance and Safety Instructions refer to form 43001-0543

**WARNING** Explosion hazard. Do not pump gasoline, solvents, thinners or other flammable liquids. To do so can cause an explosion resulting in injury or death.



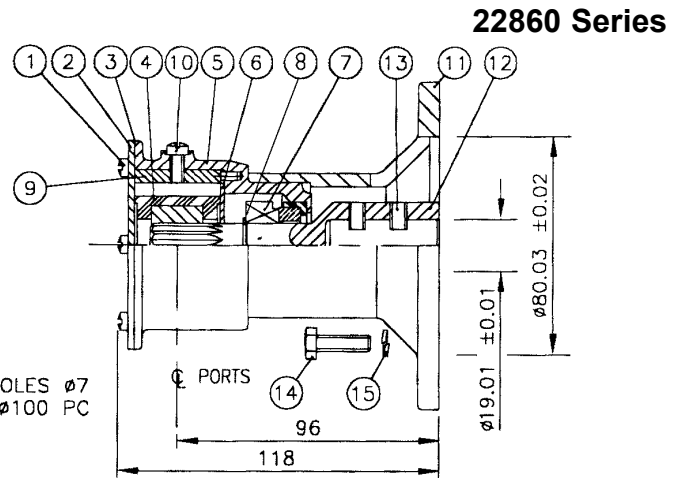
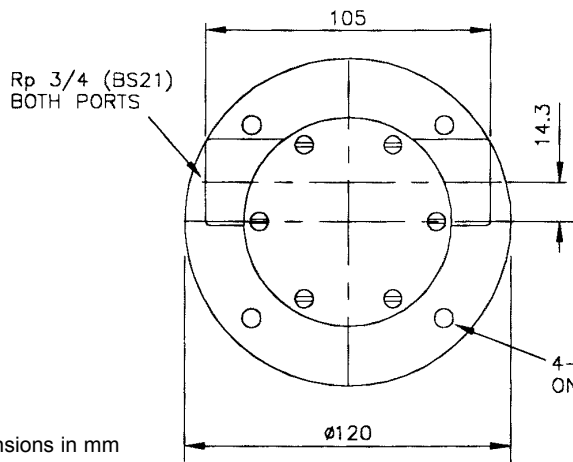
**WARNING** Injury hazard. Exposed pulleys and belts can cause injury. Install shield around pulleys and belts. Stay clear while machinery is operating.





# 040 Size Bronze Flexible Impeller Pump Head Kit

2/99



## Parts List

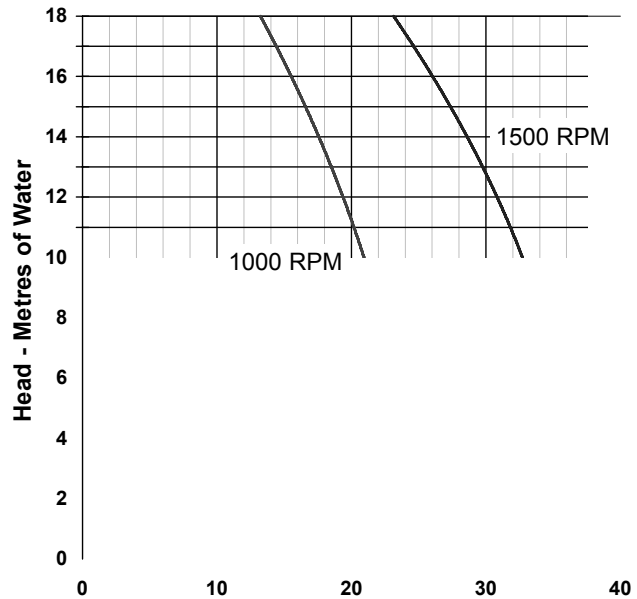
Key	Description	Qty	Part No.
1	Screw*	6	SP1002-02
2	Endcover	1	3992
3	Gasket*	1	3298
4	Impeller*	Neoprene	1 1210-0001
		Nitrile	1 1210-0003
		HP Neoprene	1 3085-0001
		HP Nitrile	1 3085-0003
5	Body	1	10554-200
6	Wearplate	1	7883
7	Seal assembly*	1	22626-6000
8	Retaining ring	1	SP1700-62
9	Cam	1	490
10	Screw	Cam	1 SP1003-01
11	Adaptor	1	22864
12	Extension	Shaft	1 22867
13	Screw	Set	2 X3009-176A
14	Screw	4	X3001-182C
15	Washer	4	X3081-091C

Parts marked \* above are contained in a Service kit

Service kit	Neoprene	1	SK351
	Nitrile	1	SK239-37

Mechanical seals are fitted with Nitrile elastomers

## Performance



**Note** : Performance shown is for a new pump, fitted with a standard pressure Neoprene impeller, pumping water at 20°C, performance may vary by up to 15%. Consult factory for performance of alternative impeller compounds.

Jabsco



ITT Industries

USA

**Jabsco**  
20 Icon  
Foothill Ranch  
CA 92610

Tel : +1 949 859 4945  
Fax : +1 949 859 1153

UK

**Jabsco**  
Bingley Road  
Hoddesdon  
Hertfordshire, EN11 0BU

Tel : +44 (0) 1992 450 145  
Fax : +44 (0) 1992 467 132

GERMANY

**Jabsco GmbH**  
Oststraße 28  
22844 Norderstedt

Tel : +49 (0) 40 53 53 73 0  
Fax : +49 (0) 40 53 53 73 11