



080 Size Bronze Flexible Impeller Pump Head Kit

2/99

22870 Series

Bronze Flexible Impeller Pump

Features

- Flows up to 80 Litres/Minute @ 1500 RPM
- Self prime from dry up to 5 metres
- Handles hard or soft solids
- Non pulsating flow
- Gentle pump action does not damage shear-sensitive products
- Easy to service and maintain



Typical Applications

Industrial : From water to the most difficult, e.g. transferring foaming solutions with entrained air or solids, such as soap, circulating abrasive and non abrasive slurries. Transferring inks, dyes, starches etc.

Chemical : Circulating and transferring various chemicals such as ammonia, barium, copper sulphate, glycerine, nickel chloride, silver nitrate; various acids such as boric, carbonic, citric and photo processing solutions, widely used for polyelectrolyte.

Model Options

Impeller option	Neoprene	Nitrile
Temperature range	4°C to 80°C	-5°C to 90°C
Pump head only	22870-2001	22870-2003

Note : it is not recommended to start the pump at extreme ends of the temperature range, impeller damage may occur

All models use Nitrile seal elastomers

Other options available, Pedestal & Motor pump units, in Bronze, Plastic & Stainless steel

Specifications

Seal : Carbon/Ceramic mechanical seal

Pump Head : Bronze

End Cover : Brass

Bearings : Uses motor bearings

Shaft : 316 Stainless steel shaft extension


Motor adaptor : Epoxy-coated aluminium, suitable for B3/B14 D80 frame motor to IEC 71 standard

Ports : 1" BSP internal thread


Weight : 2.6kg.

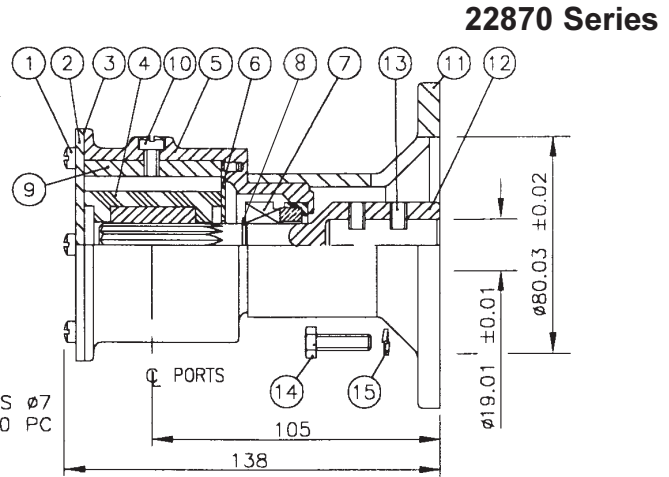
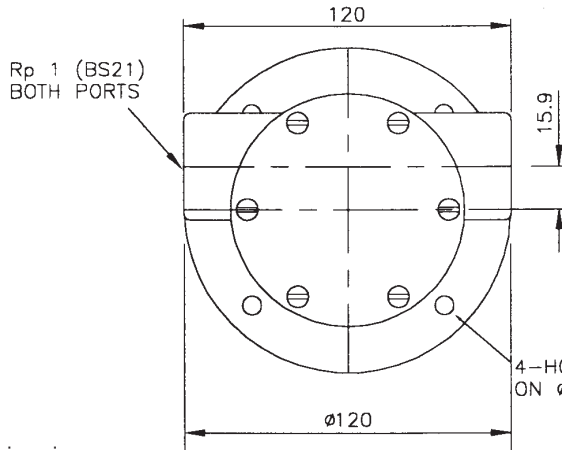
For Installation, Operating, Maintenance and Safety Instructions refer to form 43001-0543

WARNING Explosion hazard. Do not pump gasoline, solvents, thinners or other flammable liquids. To do so can cause an explosion resulting in injury or death.



WARNING Injury hazard. Exposed pulleys and belts can cause injury. Install shield around pulleys and belts. Stay clear while machinery is operating.





Parts List

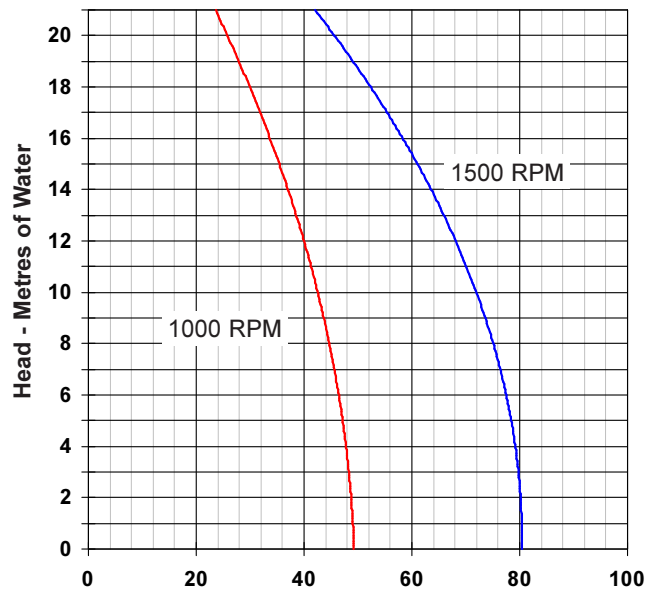
Key	Description	Qty	Part No.
1	Screw*	6	SP1003-09
2	Endcover	1	3993
3	Gasket*	1	890
4	Impeller*	Neoprene	1 17937-0001
		Nitrile	1 17937-0003
5	Body	1	10329-200
6	Wearplate	1	4156
7	Seal assembly*	1	22626-6000
8	Retaining ring	1	SP1700-62
9	Cam	1	934
10	Screw	Cam	1 SP1004-09
11	Adaptor	1	22864
12	Extension	Shaft	1 22867-0010
13	Screw	Set	2 X3009-176A
14	Screw	4	X3001-182C
15	Washer	4	X3081-091C

Parts marked * above are contained in a Service kit

Service kit	Neoprene	1	SK352
	Nitrile	1	SK229-37

Mechanical seals are fitted with Nitrile elastomers

Parts List



Note : Performance shown is for a new pump, fitted with a Neoprene impeller, pumping water at 20°C, performance may vary by up to 15%. Consult factory for performance of alternative impeller compounds.

Jabsco



ITT Industries

USA

Jabsco
1485 Dale Way
Costa Mesa
CA 92628-2158

Tel : +1 714 545 8251
Fax : +1 714 957 0609

UK

Jabsco
Bingley Road
Hoddesdon
Hertfordshire, EN11 0BU

Tel : +44 (0) 1992 450 145
Fax : +44 (0) 1992 467 132

GERMANY

Jabsco GmbH
Oststraße 28
22844 Norderstedt

Tel : +49 (0) 40 53 53 73 0
Fax : +49 (0) 40 53 53 73 11