



Model 23650-Series POLYPROPYLENE

LABORATORY DRUM PUMPS

Tube: Polypropylene
Impeller: Axial Flow, Polypropylene
Shaft: Hastelloy C
Seal: Lip Seal of Viton*
Port: 3/4" Dia., Slip-on Hose Discharge
Weight: 1- 3/4 lb. (0.8 Kg) average

APPLICATIONS

Specifically designed to be used in laboratory size containers where fluids are to be transferred to smaller containers for handling.

	Explosion hazard. Do not use where flammable vapors are present. Do not pump solvents, thinners or gasoline. To do so can cause an explosion which can result in injury or death.
--	--

OPERATING INSTRUCTIONS

- General** – When operating the JABSCO drum pump, protective clothing, gloves, and safety glasses should be worn. All standard safety practices should be followed.
- Installation** – Pump may be mounted through bung hole in drums, on side of vats and tanks, and through top of carboys. Barrel Adaptors are available to hold pump in stationary or rigid position. When inserting drum pump into barrel, vat or drum slowly lower pump into container to avoid spills. Correct pump length should be selected for container with which pump is to be used.
- Drive** - An electric motor (23640-series) and a rechargeable motor (23780-series) are available to drive the pump. Refer to Motor Data Sheet for details (form number 43000-0690 and 43000-0689).
- Temperature Range** – Maximum pumpage temperatures are 32°F - 130°F (0° - 55°C).
- Performance Limits** – Maximum specific gravity of 1.8 or viscosity of 2500 ssu (540 cp) are the recommended limits for normal use. Contact factory for further information.
- Spare Parts** – Use JABSCO service parts for replacement and repair.
- Running Dry** - Unit has been designed for limited run dry capacity. Do not run dry for more than 30 minutes. Lack of liquid will eventually damage bearing and other pump parts.

* Viton is a registered trademark of DuPont Dow Elastomers L.L.C.

Jabsco



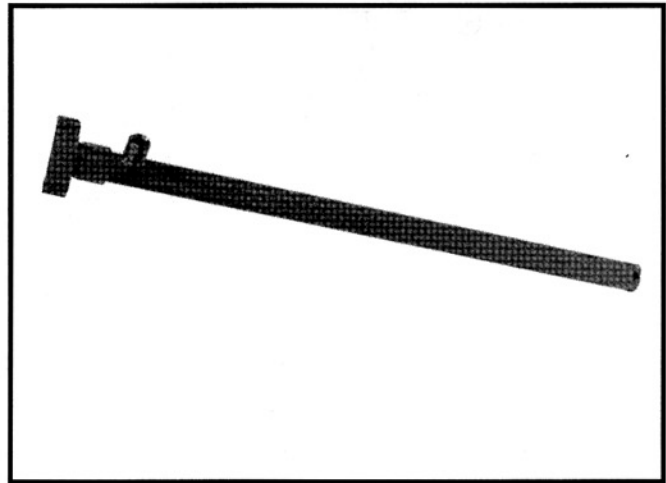
U.S.A.
 ITT Jabsco
 1485 Dale Way, P.O. Box 2158
 Costa Mesa, CA 92628-2158
 Tel: (714) 545-8251
 Fax (714) 957-0609

UNITED KINGDOM
 ITT Jabsco
 Bingley Road, Hoddesdon
 Hertfordshire EN11 0BU
 Tel: +44 (0) 1992 450145
 Fax: +44 (0) 1992 467132

CANADA
 ITT Fluid Products
 55 Royal Road
 Guelph, Ontario N1H 1T1
 Tel: (519) 821-1900
 Fax: (519) 821-2569

JAPAN
 NHK Jabsco Company Ltd.
 3-21-10, Shin-Yokohama
 Kohoku-Ku, Yokohama, 222
 Tel: 045-4758906
 Fax: 045-475-8908

GERMANY
 Jabsco GmbH
 Oststrasse 28
 22844 Norderstedt
 Tel: +49-40-53 53 73 -0
 Fax: +49-40-53 53 73 -11

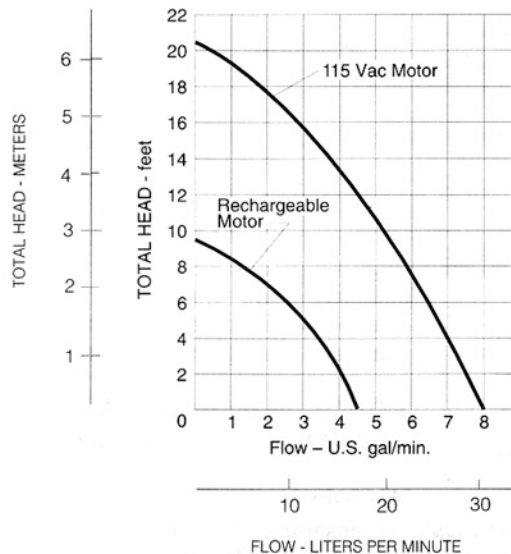


Model 23650-Series

VARIATIONS AVAILABLE

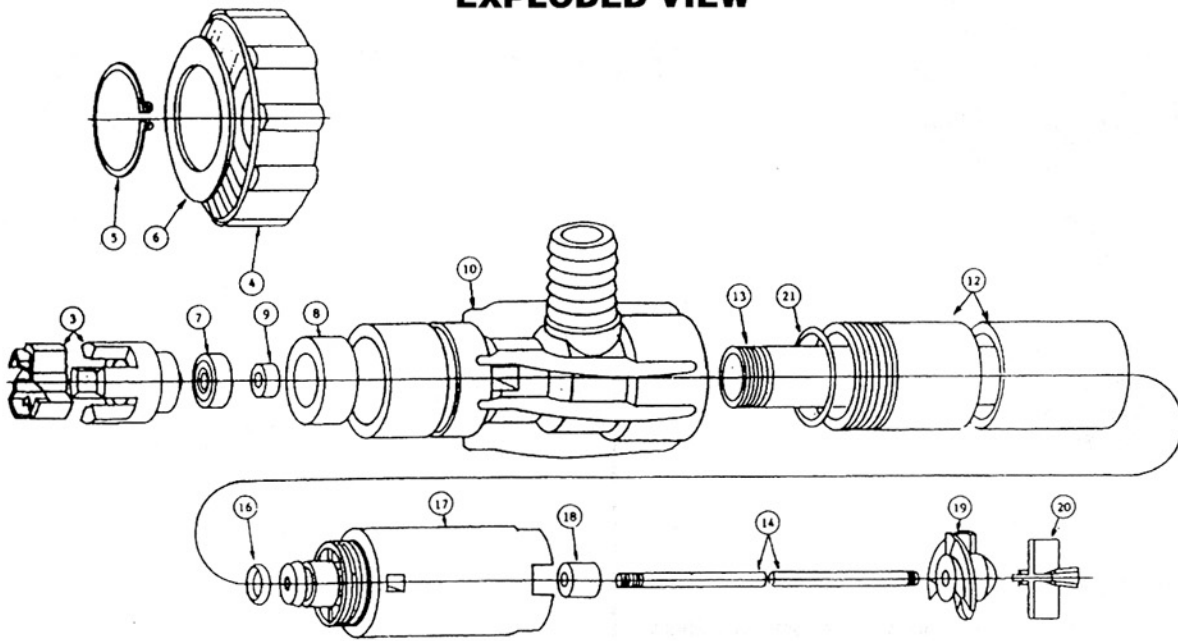
MODEL NO.	DESCRIPTION
23650-0500	20" (500 mm) POLYPROPYLENE TUBE
23650-0700	28" (700 mm) POLYPROPYLENE TUBE
23650-1000	39 1/2" (1000 mm) POLYPROPYLENE TUBE

PERFORMANCE TABLE



THE PRODUCTS DESCRIBED HEREIN ARE SUBJECT TO THE JABSCO ONE YEAR LIMITED WARRANTY, WHICH IS AVAILABLE FOR YOUR INSPECTION UPON REQUEST.

EXPLODED VIEW



PARTS LIST

Key	Description	Qty	23650-0500	23650-0700	23650-1000	Material
3	Coupling	1	23651-0003	23651-0003	23651-0003	Nylon
4,5,6	Locating Ring Assembly	1	23651-0004	23651-0004	23651-0004	Polypropylene
7	Bearing	1	23651-0007	23651-0007	23651-0007	-
8	Bearing Case	1	23651-0008	23651-0008	23651-0008	Aluminium
9	Lip Seal	1	23651-0009	23651-0009	23651-0009	Nitrile
10,20	Housing Assembly	1	23651-0010	23651-0010	23651-0010	Polypropylene
12	Outer Tube	1	23651-0512	23651-0712	23651-1012	Polypropylene
13	Inner Tube	1	23651-0513	23651-0713	23651-1013	Polypropylene
14	Shaft	1	23651-0514	23651-0714	23651-1014	Hast "C"
16,17	Impeller Housing Assy	1	23651-0017	23651-0017	23651-0017	Polypropylene/Viton
18,20	Impeller	1	23651-0019	23651-0019	23651-0019	Polypropylene



WARNING Hazardous Voltage. Prior to any disassembly or assembly of the Jabsco Drum Pump Motor make certain that all electrical power to the motor is disconnected and prevented from accidentally being connected. Failure to do so can cause death or injury.

NOTICE: All electrical repair and wiring should be completed by a competent electrician and in accordance with applicable codes.

DISASSEMBLY

1. Remove drive coupling by inserting screwdriver into conversion chamber through bottom, trap impeller unscrew coupling tube and trap impeller. Unscrew drive coupling.
2. Remove cross bar from conversion chamber.
3. Unscrew conversion chamber carefully remove together with impeller and shaft, unscrew impeller from shaft.
4. Unscrew discharge port housing and remove assembly from outer tube.
5. Unscrew inner tube and remove from port housing assembly.
6. Remove circlip and mounting nut.
7. To remove seal or bearing from bearing housing, push out with bar.

ASSEMBLY

1. To fit new seal or bearing, push in from top, seal lip to face down.
2. Screw inner tube into port housing assembly.
3. Screw port housing and inner tube assembly on to outer tube.
4. Screw conversion chamber into outer tube making sure that "O" ring is in place.
5. Fit impeller to shaft.
6. Slide impeller and shaft assembly into inner tube.
7. Refit cross bar in conversion chamber.
8. Fit drive coupling and tighten.
9. Fit mounting ring on port housing and secure with circlip.