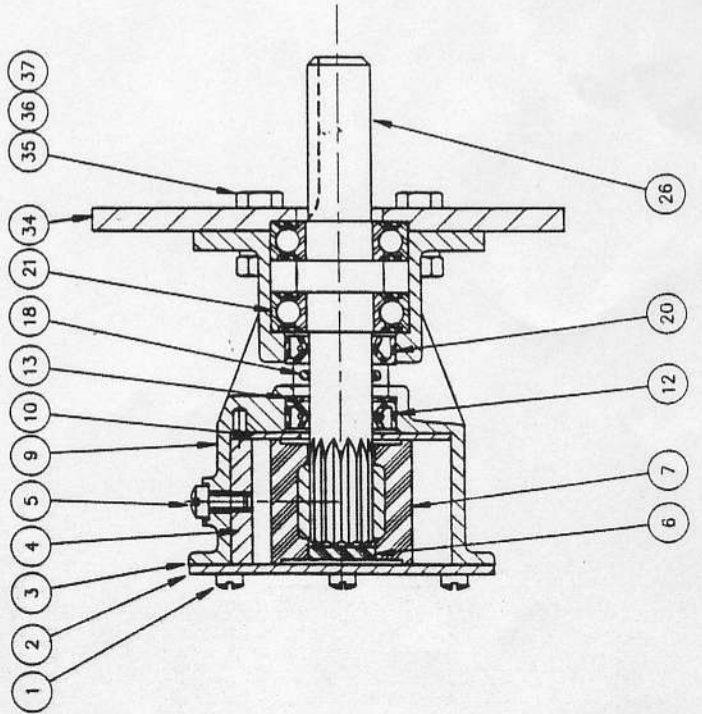
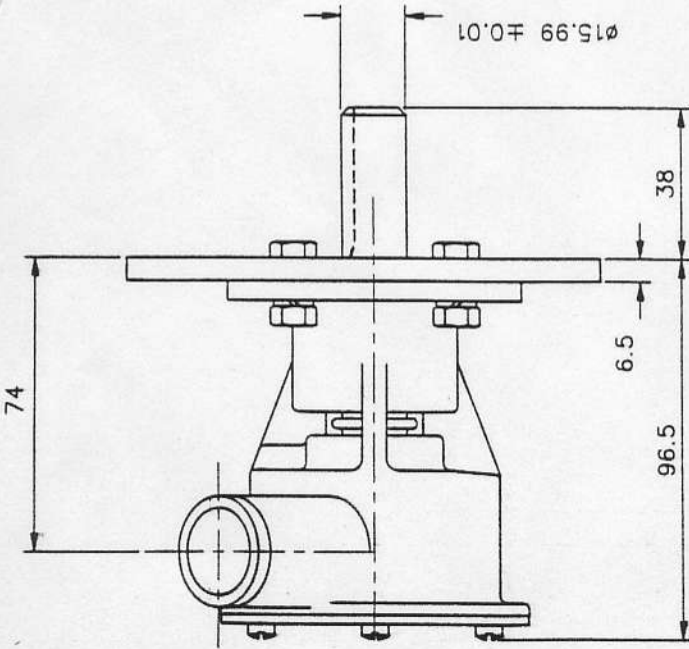
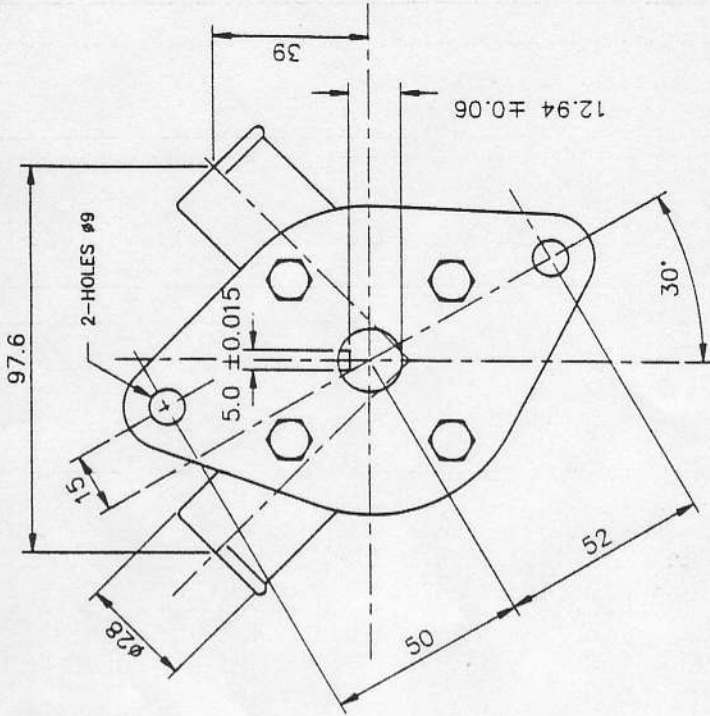


KEY	DESCRIPTION	QTY	PART NUMBER	
			MODEL	29500-1001
1	END COVER SCREW	6	SP1002-02	
2	END COVER	1	3992	
3	GASKET	1	3298	
4	CAM	1	490	
5	CAM SCREW	1	SP1003-01	
6	SPLINE PLUG	1	4345	
7	IMPELLER	1	1210-0001	
9	BODY	1	29504-1000	
10	WEAR PLATE	1	7883	
12	PRIMARY LIP SEAL	1	SP2700-1027	
13	SEAL SPACER	1	23431-0000	
18	SLINGER	1	X4020-215A	
20	LIP SEAL	1	SP2700-1027	
21	BEARING	2	SP2601-0451	
23	SPACER	2	SP1613-1408	
26	SHAFT	1	29508-0000	

Service Kit SK384-0001
contains: Impeller, spline plug, gasket, seal, endcover screws.

Series 29500

Size 040



KEY	DESCRIPTION	QTY	PART NUMBER	
			MODEL 29500-1201	MODEL 29500-1251
1	END COVER SCREW	6	SP1002-02	SP1002-02
2	END COVER	1	3992	3992
3	GASKET	1	3298	3298
4	CAM	1	490	10336
5	CAM SCREW	1	SP1003-01	SP1003-09
6	SPLINE PLUG	1	4345	4345
7	IMPELLER	1	1210-0001	1210-0001
9	BODY	1	29504-1000	29504-1000
10	WEARPLATE	1	7883	7883
12	PRIMARY LIP SEAL	1	SP2700-1027	SP2700-1027
13	SEAL SPACER	1	23431-0000	23431-0000
18	SLINGER	1	X4020-215A	X4020-215A
20	LIP SEAL	1	SP2700-1027	SP2700-1027
21	BEARING	2	SP2601-0451	SP2601-0451
26	SHAFT	1	29518-0000	29518-0000
34	ADAPTOR FLANGE	1	23394-0000	23394-0000
35	NUT	4	X3070-091C	X3070-091C
36	BOLT	4	X3001-182C	X3001-182C
37	WASHER	4	X3001-091C	X3001-091C

Service Kit SK384-0001 contains: Impeller, spline plug, gasket, seal, endcover screws.