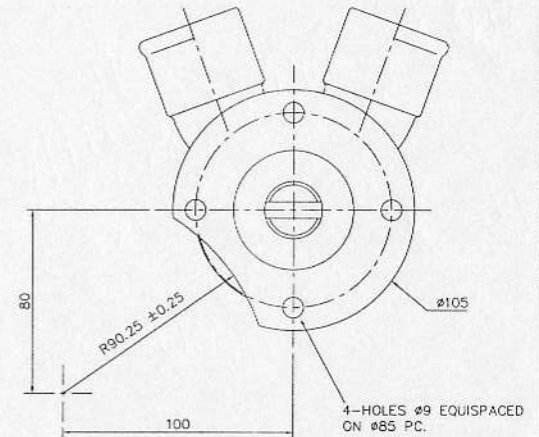
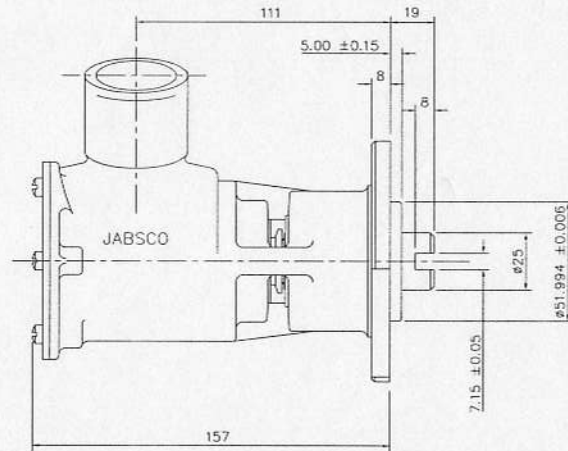
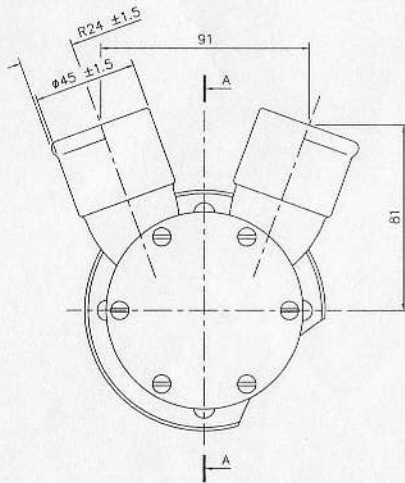
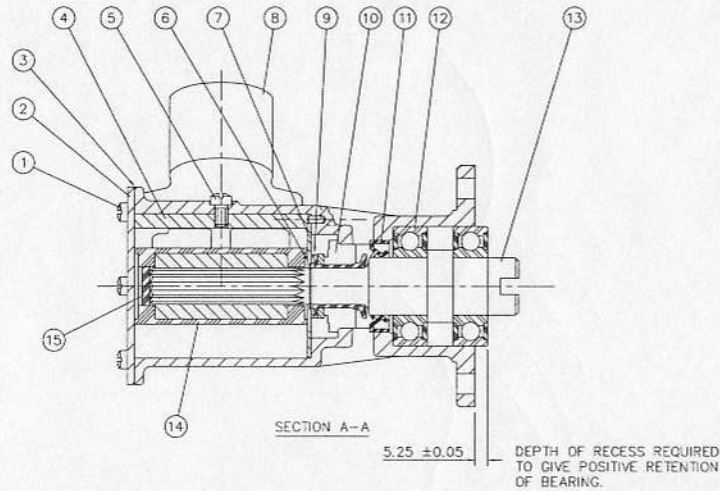


ALL DIMENSIONS IN MILLIMETRES

MODEL NUMBER	CAM
29700-1301	STANDARD FULL (1.00)
29700-1331	SPECIAL (1.10)

KEY	DESCRIPTION	QTY.	PART NUMBER
1	SCREW	6	SP1003-0111
2	ENDCOVER	1	3993
3	GASKET	1	890
4	CAM	1	23341-0000
5	SCREW	1	SP1004-09
6	RETAINING RING	1	SP1700-62
7	WEARPLATE	1	4156
8	BODY	1	29704-1300
9	SUPPORT WASHER	1	29706-0000
10	MECHANICAL SEAL	1	SP6080-0469
11	LIPSEAL	1	SP2701-0903
12	BEARING	2	SP2600-11
13	SHAFT	1	29707-0000
14	IMPELLER	1	17018-0001
15	SPLINE SEAL	1	4345



120 FLANGE MOUNTED PUMP

REV	DESCRIPTION	DATE	BY	CHECKED	APPROVED
B	REVISION 1 (137)				
A	REV. 8 (11.89)				
	FORM CHANGE DATE				
<p>NOTICE: THIS DRAWING MAY CONTAIN A PROPRIETARY DESIGN OR OTHER INFORMATION WHICH IS NOT TO BE REPRODUCED OR TRANSMITTED IN ANY FORM OR BY ANY MEANS WITHOUT THE WRITTEN PERMISSION OF JTS LIMITED.</p>					
<p>REMOVE LINE, LINE FLASH &amp; SCALE FROM CASTINGS, FORGINGS &amp; WELDED PARTS TO BE FREE OF BURRS. TOLERANCES UNLESS OTHERWISE STATED.</p>					
<p>LINEAR ± - - - - - ANGULAR ± - - - - -</p>					
<p>PROJECTION </p>					
DO NOT SCALE - REPORT ERRORS			MATERIAL: -		
SCALE: 1:1			DATE: 17.12.97		
DRAWN: JER			CHECKED:		
APPROVED:			TITLE: INSTALLATION/ASSEMBLY		
DRAWING NO.: 29700-1301			A1		