



HoseCoil *Cockpit Washdown System* Horizontal Mount Enclosure



Cockpit Washdown System

The perfect solution for installing a washdown hose on your boat that is out of the way. Never trip on a hose again! This clever design will allow you to mount the enclosure in the cockpit and out of the way. The enclosure can be easily attached to an external water hose connection using the 5' (1.52 m) supply hose that comes with a 3/4" (19 mm) "garden style" solid brass fitting. For an even cleaner installation, internally plumb directly to a Jabsco/Flojet washdown pump or raw water supply line. Adapter fittings are included to fit 3/8" (10 mm), 1/2" (12.7 mm), and 5/8" (16 mm) hose.

Jabsco

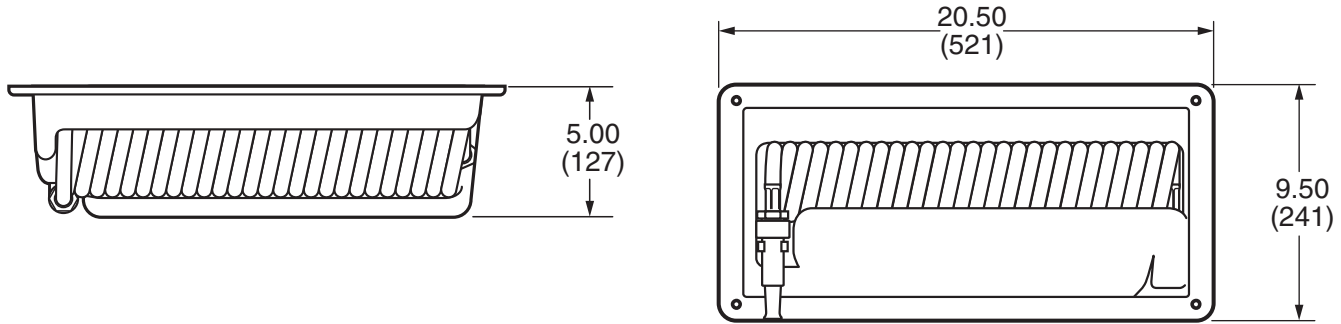


ITT Industries
Engineered for life



DIMENSIONAL DRAWING

Inches (Millimetres)



FEATURES

Enclosure Features:

- Lightweight durable plastic material
- Exposed surface UV stabilized
- Easy to use and install
- Provides easy and convenient stowing of the attached HoseCoil

HoseCoil Features:

- 3/8" (10 mm) ID Polyurethane
- 90% usable length
- Self-Coiling
- Solid brass fittings
- UV Inhibitor

MODEL NO.

DESCRIPTION

31910-2115

Cockpit Washdown System
Horizontal Mount Enclosure
with 25' (7.6 m) Blue HoseCoil

Distributed by: _____

Jabsco



ITT Industries

Jabsco, 20 Icon, Foothill Ranch, CA 92610

Tel : + 1 949 609 5106

Fax : +1 949 859 1254

USA

Jabsco, Bingley Road, Hoddesdon, Hertfordshire, EN11 0BU

Tel : +44 (0) 1992 450 145

Fax : +44 (0) 1992 467 132

UK

Fluid Products Canada, 55 Royal Road, Guelph, Ontario N1H 1T1

Tel : +1 519 821 1900

Fax : +1 519 821 5316

CANADA

NHK Jabsco Co Ltd, 3-21-10, Shin - Yokohama, Kohoku-ku, Yokohama 222

Tel : +81 (0) 45 475 8906

Fax : +81 (0) 45 475 8908

JAPAN

Jabsco GmbH, Oststraße 28, 22844 Norderstedt

Tel : +49 (0) 40 53 53 73 0

Fax : +49 (0) 40 53 53 73 11

GERMANY

Warranty: All products of the company are sold and all services of the company are offered subject to the company's warranty and terms and conditions of sale, copies of which will be furnished upon request. The information provided herein is for guidance only, it does not constitute a guarantee of the performance or specification of any individual product or component.