



## *HoseCoil* *Cockpit Washdown System* Side Mount Enclosure



## Cockpit Washdown System

The perfect solution for installing a washdown hose on your boat that is out of the way. Never trip on a hose again! This clever design will allow you to mount the enclosure in the cockpit and out of the way. The enclosure can be easily attached directly to a Jabsco/Flojet washdown pump or raw water supply line. Adapter fittings are included to fit 3/8" (10 mm), 1/2" (12.7 mm), and 5/8" (16 mm) hose.

Jabsco

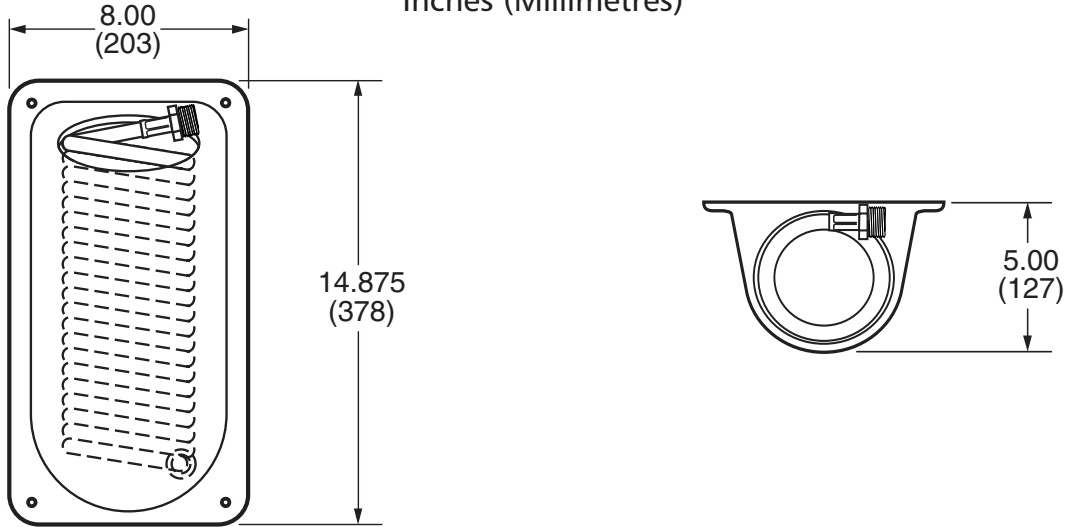


**ITT Industries**  
*Engineered for life*



### DIMENSIONAL DRAWING

Inches (Millimetres)



### FEATURES

#### Enclosure Features:

- Lightweight durable plastic material
- Exposed surface UV stabilized
- Easy to use and install
- Provides easy and convenient stowing of the attached HoseCoil

#### HoseCoil Features:

- 3/8" (10 mm) ID Polyurethane
- 90% usable length
- Self-Coiling
- Solid brass fittings
- UV Inhibitor

MODEL NO.	DESCRIPTION
31910-3115	Cockpit Washdown System Side Mount Enclosure with 15' (4.57 m) Blue HoseCoil

Distributed by: \_\_\_\_\_

Jabsco



ITT Industries

**Jabsco**, 20 Icon, Foothill Ranch, CA 92610

Tel : + 1 949 609 5106

Fax : +1 949 859 1254

**USA**

**Jabsco**, Bingley Road, Hoddesdon, Hertfordshire, EN11 0BU

Tel : +44 (0) 1992 450 145

Fax : +44 (0) 1992 467 132

**UK**

**Fluid Products Canada**, 55 Royal Road, Guelph, Ontario N1H 1T1

Tel : +1 519 821 1900

Fax : +1 519 821 5316

**CANADA**

**NHK Jabsco Co Ltd**, 3-21-10, Shin - Yokohama, Kohoku-ku, Yokohama 222

Tel : +81 (0) 45 475 8906

Fax : +81 (0) 45 475 8908

**JAPAN**

**Jabsco GmbH**, Oststraße 28, 22844 Norderstedt

Tel : +49 (0) 40 53 53 73 0

Fax : +49 (0) 40 53 53 73 11

**GERMANY**

Warranty: All products of the company are sold and all services of the company are offered subject to the company's warranty and terms and conditions of sale, copies of which will be furnished upon request. The information provided herein is for guidance only, it does not constitute a guarantee of the performance or specification of any individual product or component.