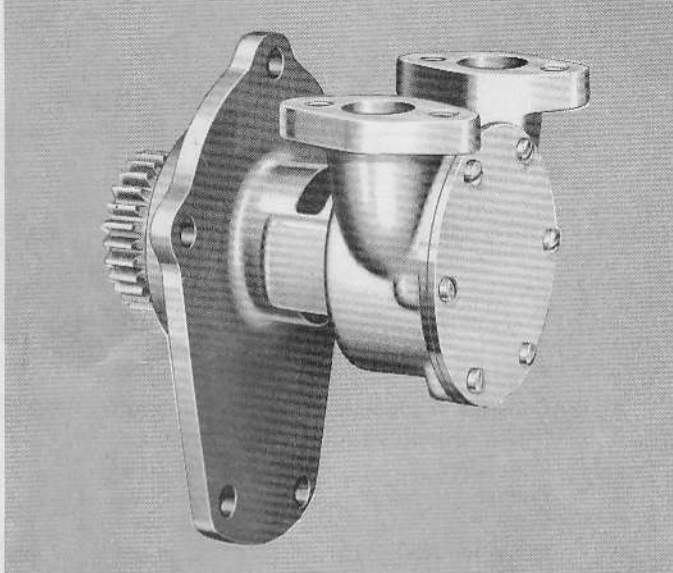


JABSCO® PUMPS

Self Priming Pumps

MODEL: 3290-9001

Product Data



MODEL 3290-9001

DESIGN FEATURES

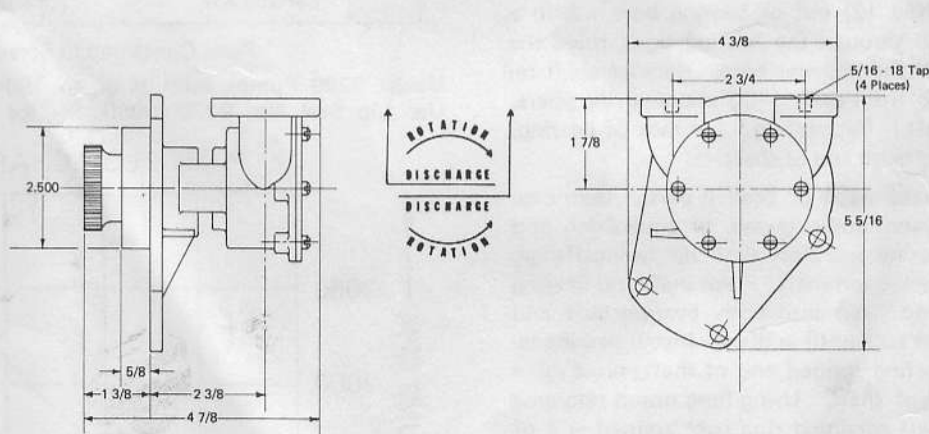
Body:	Bronze
Impeller:	Jabasco Neoprene Compound
Shaft:	Bronze
Shaft Seal:	Carbon-Ceramic Face Type
Port:	3/4"
Weight:	Approx. shipping weight 5 lbs.

APPLICATION:
Marine Engine Cooling

FOR ENGINE MODELS:
Chrysler Ace, Crown and Royal
(Prior to 1950)

MODEL: 3290-9001

DIMENSION DRAWING



INSTALLATION INSTRUCTIONS

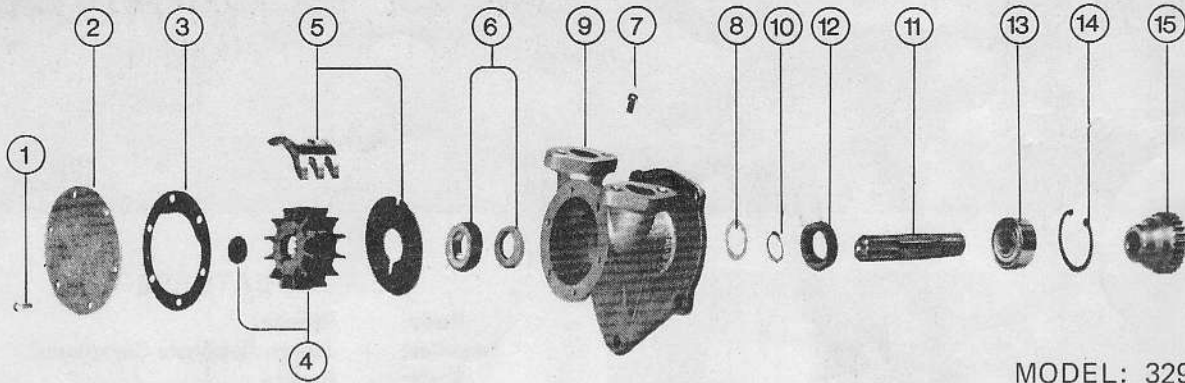
Make sure flange seats squarely on mounting surface and bolt to engine. Connect inlet and outlet fittings. Intake and discharge piping of the engine must correspond with the proper port markings on the pump.

OPERATING INSTRUCTIONS

Pump will self prime at low or high speeds. Make sure scoop and inlet line are clear and all connections air tight. Do not run pump dry for more than 30 seconds. Lack of water flow may damage impeller. To drain pump, loosen end cover screws.

JABSCO PRODUCTS **ITT**

EXPLODED VIEW



MODEL: 3290-9001

SERVICE INSTRUCTIONS

Impeller Replacement: Remove end cover and gasket. Pull impeller out by grasping hub or blades with pliers. Replace impeller, gasket and end cover. A light coating of grease in impeller bore will aid priming on dry start up. (Use correct Jabsco gasket; a thicker or thinner gasket may cause impeller damage.) Standard gasket is .010" thick.

Major Repair: Remove pump from engine to replace seal assembly, bearings, or shaft.

Disassembly: Remove end cover and gasket. Remove impeller. Loosen cam screw and tap down to loosen cam. Remove cam screw, cam, and wearplate (wipe off permatex). Using a gear puller, remove drive gear from shaft without damaging gear (if teeth on gear are damaged, the gear must be replaced). Remove bearing retaining ring (Key 14). By pressing on impeller end of shaft, force shaft and bearing assembly out bearing end of body. Slide ceramic portion of seal assembly and washer out drain area (center of body). Slide bearing seal (Key 12) out of bearing bore. With a screw driver inserted through the bearing bore, drive the seal seat out through the impeller bore. Remove shaft retaining ring (Key 10) from shaft with retaining ring pliers. (Do not scratch shaft.) Supporting inner race of bearing, press bearing off over drive end of shaft.

To Assemble: Replace worn or broken parts. Lubricate bearing seal with water pump grease, or equivalent, and press into body bearing seal bore with lip facing flange. Press bearing onto well-oiled shaft. Place shaft and bearing assembly (splined end first) into body bearing bore and press on bearing outer race until in place. Install bearing retaining ring. Supporting splined end of shaft, press drive gear onto drive end of shaft. Using long nosed retaining ring pliers, place shaft retaining ring over splined end of shaft and into groove. (Do not scratch shaft.) Location of shaft retaining ring may be observed through drain area (center of body). Slide washer over splined end of shaft and up against shaft retaining ring. Place ceramic portion of seal assembly over splined end of shaft and up against washer (flat side of ceramic seat must face impeller bore). Lubricate with water (do not use oil) to ease assembly. Lightly Permatex O.D. surface of seal case and with carbon facing ceramic, press on outer edge of seal seat until flush with rear of impeller bore. Install wearplate with small notch facing up. Permatex threads of cam screw and top of cam and install loosely. Lubricate impeller bore with a light coat of water pump grease and install impeller. Install gasket and end cover. Tighten cam screw.

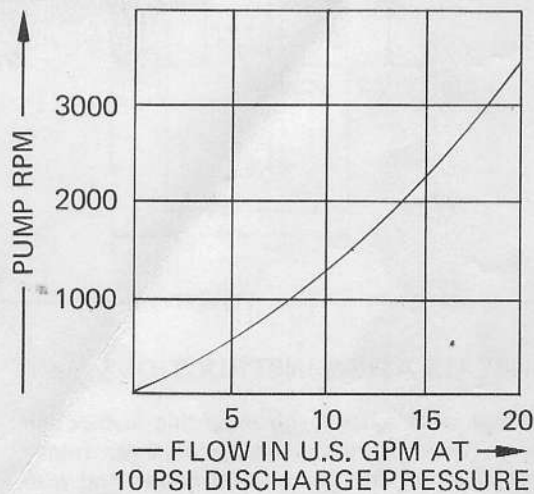
KEY	DESCRIPTION	PART NO.	QTY.
1	Screws (End Cover)	91002-0020	6
2	End Cover	3295-0010	1
3	* Gasket	3298-0000	1
4	* Impeller	1210-0001	1
5	Cam and Wearplate	7884-0000	1
6	* Seal Assembly (shaft)	96080-0080	1
7	Cam Screw	91003-0010	1
8	Washer	14536-0000	1
9	Body	3294-0010	1
10	Retaining Ring (Shaft)	91700-0620	1
11	Shaft	3297-0010	1
12	Seal (Bearing)	92700-0180	1
13	Ball Bearing	92600-0070	1
14	Retaining Ring (Bearing)	91700-2480	1
15	Drive Gear	3296-0000	1
	Service Kit	90111-0011	

* Parts Contained in Service Kit

Model 3290 Pumps built prior to 1964.

Use Lip Seal No. 92700-0060, Service Kit No. 90033-0001

PUMP FLOW CHART



JABSCO PRODUCTS **ITT**

Marine and Recreation Components Division
International Telephone and Telegraph Corporation
1485 Dale Way, Costa Mesa, California 92626

Telephone: (714) 545-8251