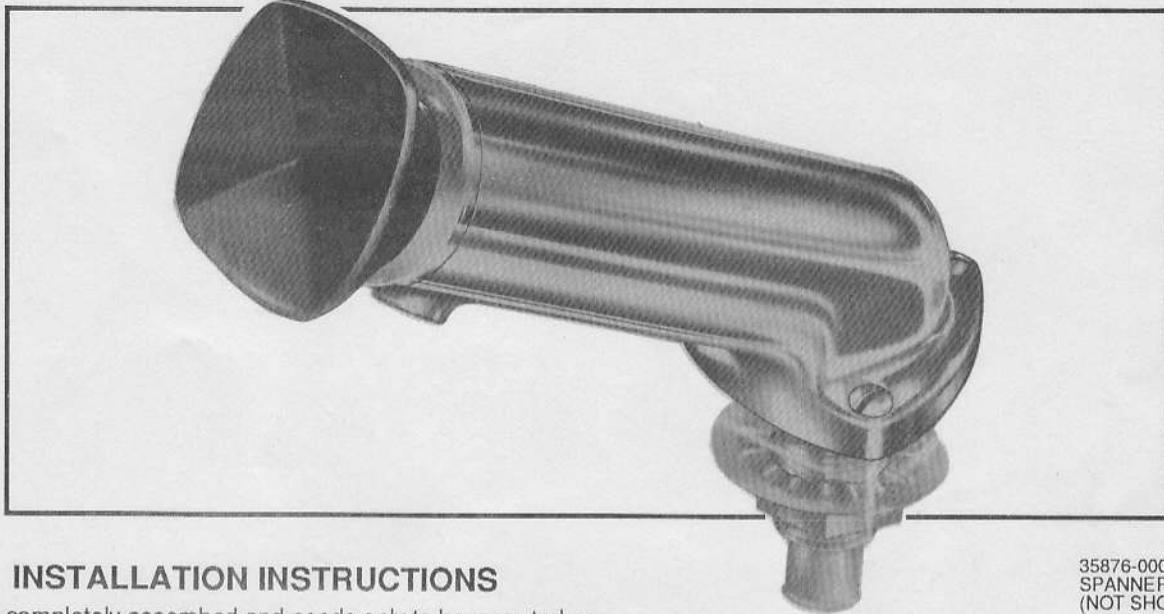


PAR[®]**Model 37220-0010**

GALLEY PUMP, TOPSIDER



Model 37220-0010

INSTALLATION INSTRUCTIONS

Pump is completely assembled and needs only to be mounted as follows:

1. Drill 7/8" hole in desired location, well above water supply tank to avoid syphon action.
2. Remove nut and lock washer from pump tail piece, and extend tail piece through drilled hole. Reinstall washer and nut, do not tighten more than required to hold faucet firmly.
3. Connect slip-on hose direct from water supply to pump. Avoid sharp turns or kinks in hose.

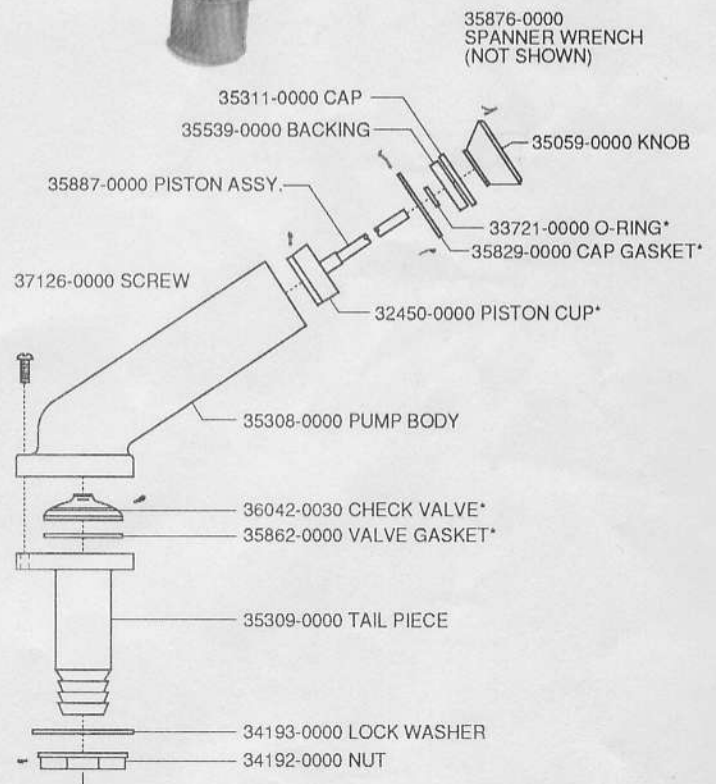
NOTICE: When pumping, pull and push in-line with pump cylinder. Side loads to the body should be avoided for efficient long-life operation.

SERVICE INSTRUCTIONS

Pump may be serviced, cleaned and drained as follows:

1. Pump may be completely disassembled for cleaning, service and draining without disconnecting from sink board by removing three screws at base of pump and lifting upward. This method is also used for cleaning or replacing check valve.
2. Piston assembly may be removed by unthreading top cap from body and pulling outward.
3. To replace O-ring, remove knob, top cap and pick damaged O-ring from groove in brass bushing molded into cap. Install new O-ring and replace cap assembly being careful not to cut O-ring with shaft threads.

NOTICE: Your PAR Topsider is made of chrome plated plastics, harsh cleaners are not recommended.



* Indicates parts contained in Service Kit 30128-0000.

ITT Jabsco

ITT Fluid Technology Corporation
 1485 Dale Way, P.O. Box 2158, Costa Mesa, Ca 92628-2158
 Tel: (714) 545-8251; Fax: (714) 957-0609
 Bingley Road, Hoddesdon, Hertfordshire EN11 0BU, England
 Tel: 0992-467191; Tlx: 26351 G; Fax: 0992-467132