

JABSCO

Model 5330-SERIES

Model 5330-SERIES

SELF-PRIMING PUMPS FEATURES

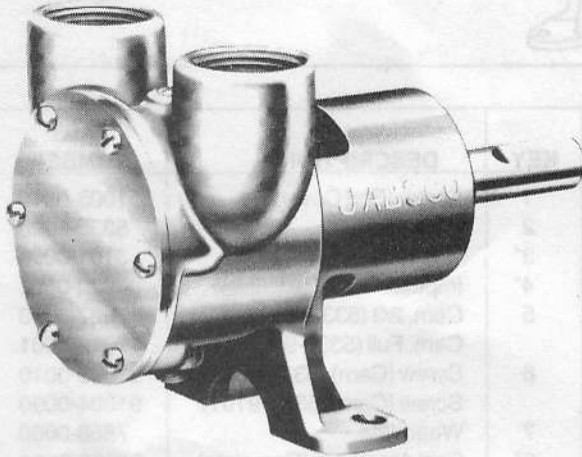
Body: Bronze
Impeller: Jabsco Neoprene Compound
Shaft: 316 Stainless Steel
Shaft Seal: Carbon-Ceramic Face Type
Ports: 1" NPT
Weight: Approx. Shipping Weight 7 lbs

APPLICATION

Marine Engine Cooling

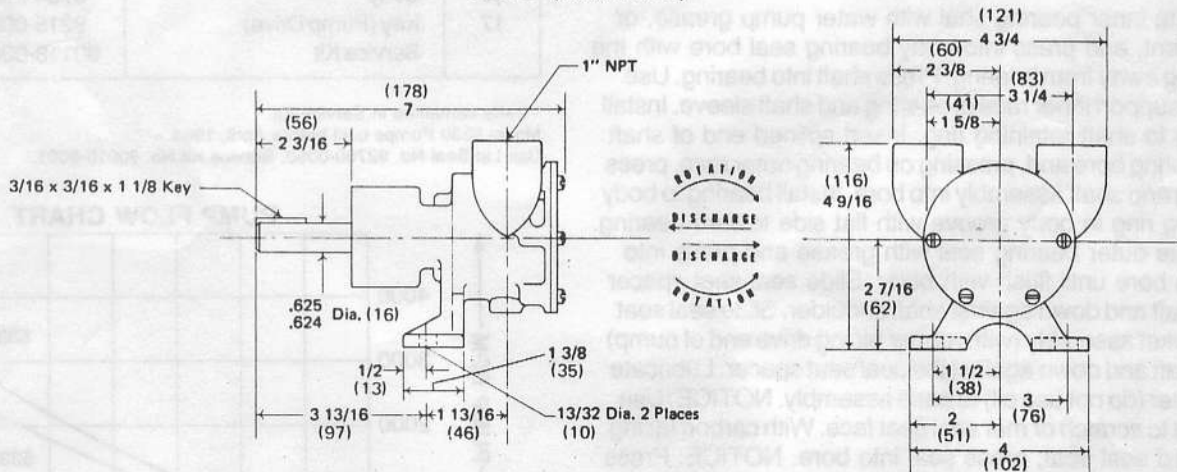
VARIATIONS AVAILABLE

5330-9001 2/3 Cam
5330-9101 Full Cam



MODEL 5330-9001

DIMENSION DRAWING Inches (millimetres)



INSTALLATION INSTRUCTIONS

Pump may be mounted in any position. The rotation of the pump shaft determines the location of the pump's intake and discharge ports (refer to dimensional drawing). Before installing, turn the pump shaft in the direction of the operating rotation.

DRIVE – Belt or Direct with flexible coupling.

BELT DRIVE – Overtight belt load will reduce bearing life.



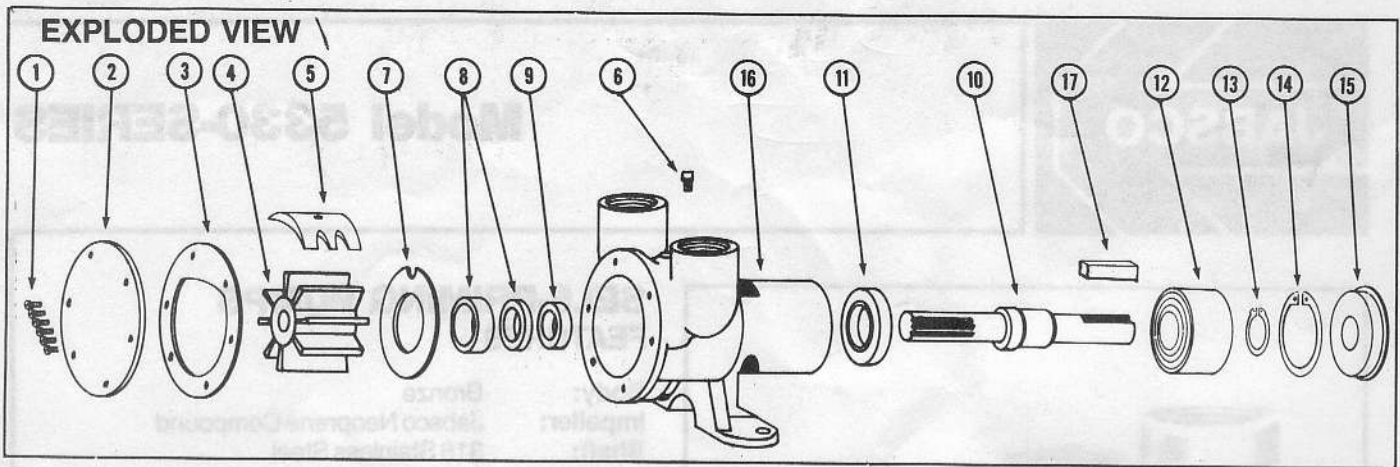
EXPOSED PULLEYS AND BELTS CAN CAUSE INJURY. INSTALL SHIELD AROUND PULLEYS AND BELTS.

DIRECT DRIVE – Clearance should be left between drive shaft and pump shaft when installing coupling. Always mount and align pump and drive shaft before tightening the set screw.

NOTICE: If drive pulley or coupling must be pressed on shaft, remove end cover and support shaft from impeller end during press operation. Do not hammer a pulley or coupling on shaft. Failure to follow above instructions can damage the pump.

INSTALLATION INSTRUCTIONS

Pump will self-prime at low or high speeds. Make sure scoop and inlet line are clear and all connections airtight. Do not run pump dry for more than 30 seconds. Lack of water flow may damage impeller. To drain pump, loosen end cover screws.



SERVICE INSTRUCTIONS

Remove end cover and gasket. Pull impeller out by grasping hub with pliers. Replace impeller, gasket and end cover. A light coating of grease in impeller bore will aid priming on dry start up. (Use correct Jabsco gasket; a thicker or thinner gasket may cause impeller damage.) Standard gasket is 0.010" thick.

MAJOR REPAIR:

Remove pump from engine to replace seal, bearings or shaft. Completely disassemble pump, remove outer bearing seal (Key No. 15). Remove bearing to body retaining ring. Pressing on impeller end of shaft, remove shaft and bearing assembly. Remove seal seat, seal seat gasket, and seal seat spacer from shaft. Remove bearing to shaft retaining ring. Supporting bearing inner race, press shaft through bearing. Remove seal from seal bore by pressing from bearing bore end toward the body impeller bore.

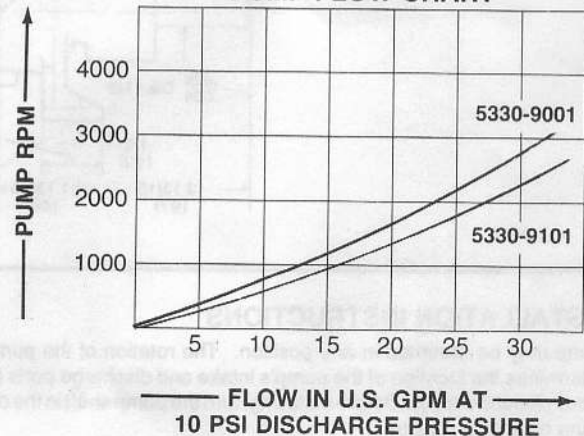
ASSEMBLY:

Lubricate inner bearing seal with water pump grease, or equivalent, and press into body bearing seal bore with the lip facing away from bearing. Press shaft into bearing. Use care to support inner race of bearing and shaft sleeve. Install bearing to shaft retaining ring. Insert splined end of shaft into bearing bore and, pressing on bearing outer race, press bearing and shaft assembly into bore. Install bearing to body retaining ring in body groove with flat side toward bearing. Lubricate outer bearing seal with grease and press into bearing bore until flush with body. Slide seal seat spacer over shaft and down against shaft shoulder. Slide seal seat and gasket assembly (with rubber facing drive end of pump) over shaft and down against the seal seat spacer. Lubricate with water (do not use oil) to ease assembly. NOTICE: Use care not to scratch or mar seal seat face. With carbon facing in toward seal seat, press seal into bore. NOTICE: Press on outer-most edge of seal to prevent damage, and press flush with bottom of body impeller bore. Install wearplate in body with slot in wearplate positioned at top of body. Apply a thin coat of sealant to screw threads, topside and back end of cam, and install in body with cam screw (be sure cam is flush with end cover surface). Lubricate impeller bore with a light coat of water pump grease, and start impeller into bore with a rotary motion until splines engage, then push into bore. Install gasket and end cover, and secure with cover screws.

KEY	DESCRIPTION	PART NUMBER	QTY. REQ.
1	Screw (End Cover)	91003-0010	6
2	End Cover	5335-9000	1
3*	Gasket	3101-0000	1
4*	Impeller	920-0001	1
5	Cam, 2/3 (5330-9001)	7867-0000	1
	Cam, Full (5330-9101)	17612-0001	1
6	Screw (Cam) (5330-9001)	91003-0010	1
	Screw (Cam) (5330-9101)	91004-0090	1
7	Wearplate	7868-0000	1
8*	Seal Assembly (Complete)	96080-0080	1
9	Seal Spacer	12005-0000	1
10	Shaft	5337-0000	1
11	Bearing, Seal (Inner)	913-0000	1
12	Ball Bearing	92600-0060	1
13	Ret. Ring (Brg. to Shaft)	91700-2470	1
14	Ret. Ring (Brg. to Hsg.)	91701-1850	1
15	Bearing Seal (Outer)	914-0000	1
16	Body	3784-9000	1
17	Key (Pump Drive)	9215-0000	1
	Service Kit	90118-0001	

* Parts contained in Service Kit.
Model 5330 Pumps built before April, 1964 -
Use Lip Seal No. 92700-0060, Service Kit No. 90010-0001

PUMP FLOW CHART



THE PRODUCTS DESCRIBED HEREIN ARE SUBJECT TO THE JABSCO ONE YEAR WARRANTY, WHICH IS AVAILABLE FOR YOUR INSPECTION UPON REQUEST.

ITT Jabsco

ITT Fluid Technology Corporation
1485 Dale Way, P.O. Box 2158, Costa Mesa, CA 92628-2158
Tel: (714) 545-8251; Fax: (714) 957-0609
Bingley Road, Hoddesdon, Hertfordshire EN11 0BU England
Tel: 0992-467191; Tlx: 263251 G; Fax: 0992-467132